
Gas Patio Heater Cover

MODEL:

UC01BK2 UC01TA2 UC02BK2
UC02TA2 TC01BK2 TC01TA2

EAST OAK

✉ support@eastoak.com

🌐 eastoak.com

☎ 1-833-EAST-OAK (USA)

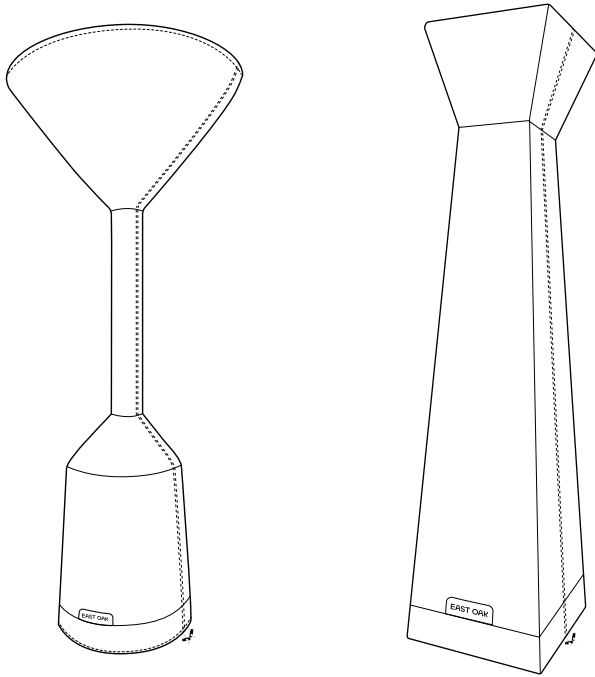
(1-833-327-8625) Mon-Fri 8am-8pm EST

East Oak Gas Patio Heater Cover | eastoak.com

EAST OAK

1-833-327-8625 | support@eastoak.com

EAST OAK Gas Patio Heater Cover



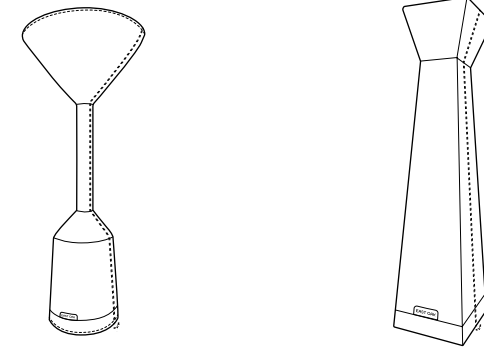
INTRODUCTION

East Oak patio heater cover fits all Patio Heater. No weather condition has got anything on us because we can last through dust, dirt, and even snow! Plus, it's designed with 300D polyester and coated with PU, it's durable waterproof and fadeproof. The mesh fabric ensures minimal risk of mold or mildew during the rainy seasons.

MAINTENANCE GUIDELINES

- Only use the cover when the patio heater has completely cooled down.
- Wipe the exterior surface with water only. Dry once finished.
- Do not use any abrasive cleaners or clean it in a dishwasher. Damages may occur with misuse.

TECHNICAL SPECIFICATIONS



Type	Round Stand-Up Patio Heater Cover	Pyramid Patio Heater Cover
Opened Sizes	34.6D(Dome)x 19.88D(Base)x91.3H inch	19.29(Top)x20.87(Base)x92.91 inch
Weight	1.55 lbs	1.87 lbs
Color	Gray/Black Tan/Brown	Gray/Black Tan/Brown
Material	300D PU Coated Polyester	300D PU Coated Polyester

WARRANTY POLICY

GUARANTEED 3-YEAR WARRANTY

Thank you for choosing East Oak. This product is covered by our company warranty for up to 3 years from its original purchase date.

CLAIM WARRANTY

If you'd like to claim your product's warranty, register your new product on our website at www.eastoak.com/warranty.