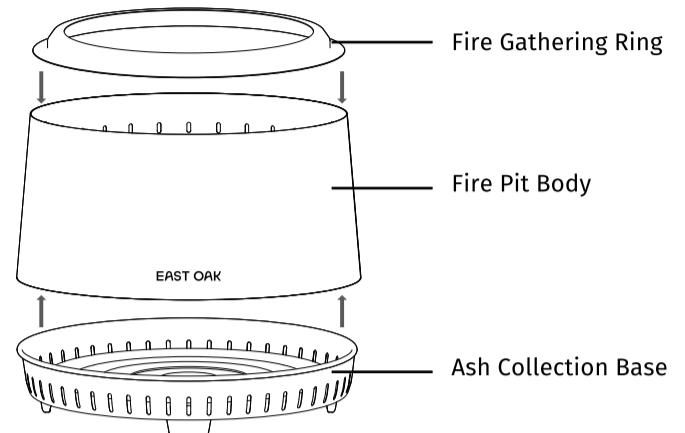


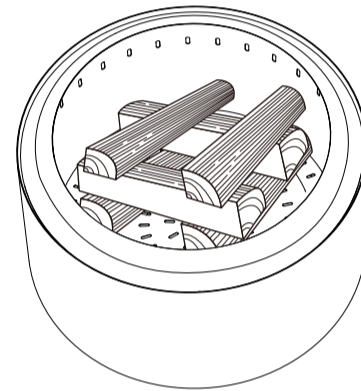
East Oak Fuoco Fire Pit

Installation Diagrams

1 Ensure that the fire pit is installed as shown in the picture.



2 Closely pack the wood and any igniters you select above the burner plate.



Questions? Comments?
Reach out to us for expert support!

support@eastoak.com
eastoak.com
1-833-EAST-OAK (USA)
(1-833-327-8625) Mon-Fri 8am-8pm EST



Claim your
3-year warranty
at eastoak.com/warranty



Welcome to the East Oak family!

Stay updated with our latest news and exclusive, discounts by following us on social media!



Facebook @eastoakliving
www.facebook.com/eastoakliving



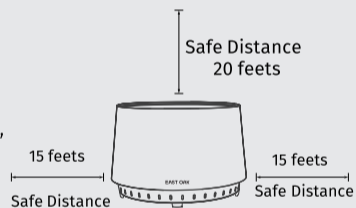
Instagram @eastoakliving
www.instagram.com/eastoakliving/



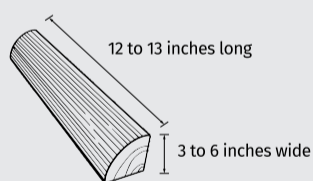
Youtube @eastoakliving2080
www.youtube.com/@eastoakliving2080

💡 Tips:

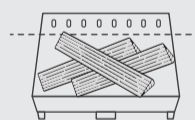
1. Main fire pit: Put it on a flat ground during use, and keep it away from flammable objects.



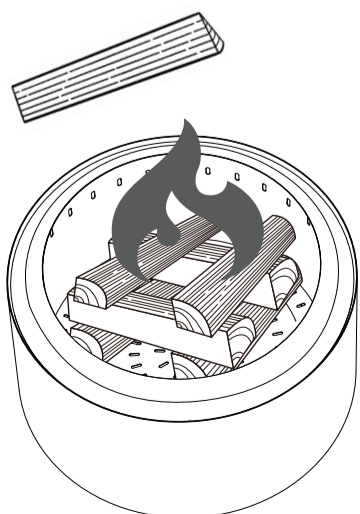
2. Select the right fuel. It is recommended to use 12 to 13 inches long and 3 to 6 inches wide wood. For hardwood, we recommend hickory, beech and oak tree; for cork, we recommend cedrus, alnus cremastogyne, hemlock spruce, pine, chestnut and willow.



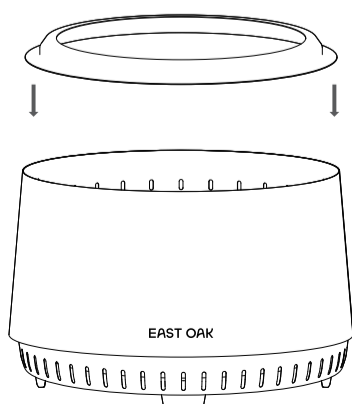
3. In order to achieve the best results, add a small amount of wood and light it, then add more wood gradually. Don't fill the fire pit completely with wood.



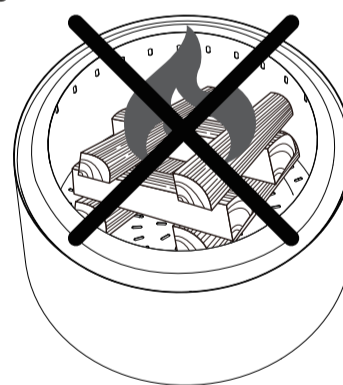
3 Add wood fuel after the fire ignites the wood. Install the fire gathering ring, and let it protrude from the mouth of the brazier to better gather the flame.



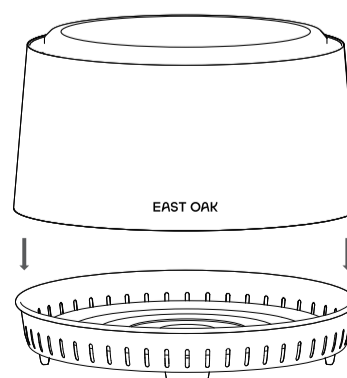
Ensure that the raised side of the fire ring faces upwards.



4 Wait until the fire is COMPLETELY extinguished before leaving.



5 Disassemble the dust tray to clean the dust.



💡 Tips:

Move the main fire pit to clean the dust only after it has completely cooled down.



STORAGE AND CARE

- When the fire pit is not in use, please move the fire pit to a dry place for storage, or use a special fire pit cover to keep the fire pit clean, so as to prolong its service life.
- If the fire pit turns yellow or gets stained after use, you can use a sponge to gently wipe it with a universal stainless steel cleaning agent. Of course, if you like bronze or natural blueing patterns, you can also keep them.
- The fire pit will change color under high temperature, which is normal and will not affect its use.
- In case of being exposed to moisture for a long time, it will change color or get rusty.

Stainless steel is your escort



The Benefits of Stainless Steel

The fire pit's body is made of stainless steel. The principle is to add chromium and nickel to iron, so as to form a thin, non-reactive chromium-rich oxide film on the surface to isolate oxygen in the air. Therefore, stainless steel has much stronger rust resistance than ordinary steel.



Protective layer after fire in the fire pit

When the fire pit burns, due to the high temperature reaction between the stainless steel surface and the oxygen in the air, an extremely thin Fe₃O₄ oxide film is produced. This film can also isolate the iron element and oxygen, greatly slowing down the rust of stainless steel. The color of the oxide film varies with temperature. It is yellow at 230-280 °C, blue at 300 °C, blue purple at 315-330 °C, and gray above 400 °C. This is why we can see a lot of colors from the surface after use. It's amazing.



Humidity is the greatest enemy

If we do not pay attention to the water problem, no protective layer can avoid rust. In a humid environment, the higher the temperature, the faster the corrosion rate. If the atmospheric humidity is high, a water film or water droplets will appear on the metal surface. If the impurities in the air are dissolved in the water film, it will form electrolytes, which will aggravate corrosion.

In order to make the Stainless Steel Fire Pit serve you for a longer time, there are two guidelines for maintaining it:

1. Keep it dry.
2. Avoid contact with water.



FOR YOUR SAFETY

PLEASE READ AND UNDERSTAND ALL SAFETY RULES BEFORE ASSEMBLING AND USING THIS FIRE PIT. FAILURE TO FOLLOW THESE INSTRUCTIONS COULD RESULT IN A HAZARDOUS FIRE, CAUSING PROPERTY DAMAGE OR PHYSICAL INJURY.

RULES FOR SAFE OPERATION

⚠ CAUTION: FOR OUTDOOR USE ONLY. DO NOT USE INDOORS.

- For adult use only - do not allow children to use the fire pit. Keep children and pets away from the fire pit while it is in use.
- Always use this fire pit on a hard, level, non-combustible surface.
- It is not recommended to use it directly on the wooden deck, it is ok to lay a fire pit mat to protect the floor.
- Do not use under a patio roof, low hanging branches, trellis or overhangs of any kind including covered porches.
- Do not use in thunderstorm conditions. Don't try to add wet wood to the bonfire, as it will affect the fire pit's performance.
- Do not leave fire unattended at any time.
- Care should be taken to make sure all combustible material is far enough away from the fire pit to prevent ignition.
- Always use in accordance with all applicable local and state fire codes.
- Exercise the same precautions as you would with any open fire.
- Do not wear flammable or loose clothing when tending an open fire.
- All surfaces of this fire pit are hot when in operation. To avoid burns and injury, do NOT touch this fire pit until the fire is out and has completely cooled.
- Assure fire is completely extinguished before leaving fire pit.
- Any modifications to this appliance may be dangerous and are strictly not permitted.
- Do not attempt to move the fire pit once the fire has started.
- Do not place the fire pit in an area where it could be easily tripped over.

TECHNICAL SPECIFICATIONS

Material: 304 stainless steel and 430 stainless steel

Size: 21.26x21.26x13.7 inches

Height: 13.7 inches

WARRANTY & SERVICE

Guaranteed 3-Year Warranty

Thank you for choosing East Oak. This product is covered by our company warranty for up to 3 years from its original purchase date.

Claim Warranty

To claim your product's warranty, register your new product on our website at www.eastoak.com/warranty.

⚠ WARNING

Cancer and Reproductive Harm

www.P65Warnings.ca.gov.

WHAT'S IN THE PACKING BOX

- 1 x Fire Pit Body
- 1 x Fire Gathering Ring
- 1 x Ash Collection Base
- 1 x Portable Handbag
- 1 x User Manual