

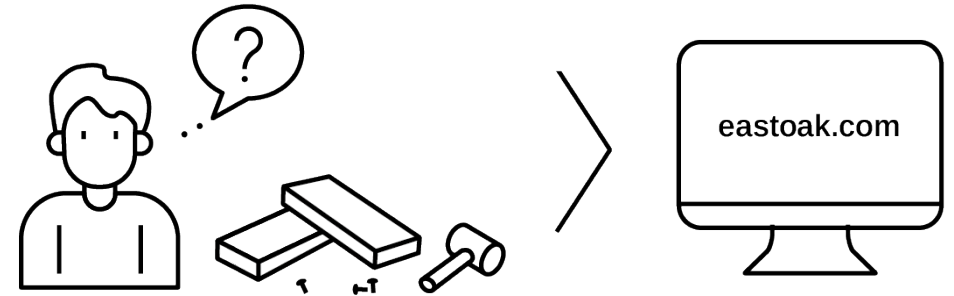
Fire Pit Table 50000 BTU Owner's Manual

MODEL:

MT28BK1 MT28BN1 MT32BK1 MT32BN1
MT28BK2 MT28BN2



EAST OAK



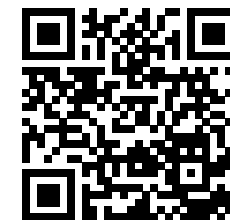
**Questions? Comments?
Reach out to us for expert support!**

✉ support@eastoak.com
🌐 eastoak.com
☎ 1-833-EAST-OAK (USA)
(1-833-327-8625) Mon-Fri 8am-8pm EST

Follow **eastoakliving** on



Claim your 3-year warranty
at eastoak.com/warranty



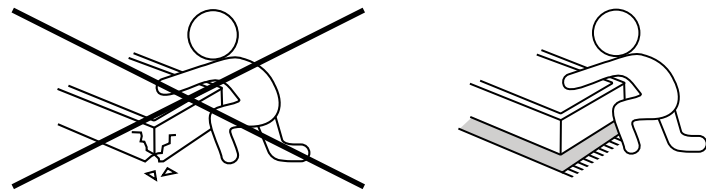
**Please scan the QR code
to view the installation video**



IMPORTANT INFORMATION

Please check all parts and components to ensure no damage or missing items before starting the product's construction. If you have any problems or discover any missing parts, please contact customer service at support@eastoak.com.

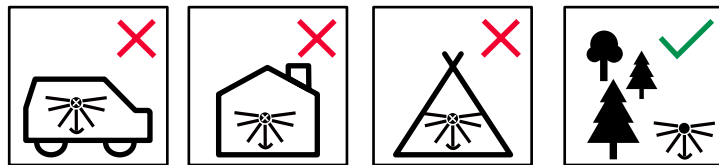
- Some parts may contain sharp edges. Wear protective gloves if necessary during assembly.
- When using power tools, please adjust the gear to the minimum. Otherwise, it will cause damage to the parts.
- Assemble on a soft surface such as a drop sheet or rug to avoid scratching.



! WARNING

CARBON MONOXIDE HAZARD

- This appliance can produce carbon monoxide which has no odor.
- Do not use it in an enclosed space.
- Never use this appliance in an enclosed space such as a camper, tent, car, or home.



! DANGER FIRE OR EXPLOSION HAZARD

If you smell gas:

- Shut off gas supply to the appliance.
- Extinguish any open flame.
- If odor continues, leave the area immediately.
- After leaving the area, call your gas supplier or fire department.
- Failure to follow these instructions could result in fire or explosion, which could cause property damage, personal injury, or death.

! WARNING For Outdoor Use Only

- Installation and service must be performed by a qualified installer, service agency, or the gas supplier.
- **INSTALLER:** Leave this manual with the appliance.
- **CONSUMER:** Retain this manual for future reference.

! WARNING

- **Do not store or use gasoline, or other flammable vapors and liquids, in the vicinity of this or any other appliance.**
- **An LP-cylinder not connected for use shall not be stored in the vicinity of this or any other appliance.**

! WARNING

- Failure to follow the instructions may result in a fire, explosion, property damage, personal injury, or loss of life.
- Solid fuels should not be burned in this appliance.
- Inspect the burner at intervals recommended by the manufacturer.
- The burner must be replaced prior to the appliance being put into operation if it is evident that the burner is damaged.
- The replacement burner shall be that specified by the manufacturer.

! WARNING

- **DO NOT** place any object or add any combustion objects into the fire pit. This product is designed to safely combust propane only.
- **DO NOT** use this product if the gas supply / gas control system has been submerged underwater. Contact a qualified service technician to replace parts.
- The installation of this product and storage of propane gas must comply with local codes and regulations.

WARNING

- Improper installation, adjustment, alternation, service or maintenance can cause property damage, personal injury, or death. Read and follow the installation, operation and maintenance instruction thoroughly before installing or servicing this equipment.
- This is not a toy. Improper use may cause serious injury or death. Children and pets must be supervised at all time when using this product.
- DO NOT connect this product to a remote gas supply.



SAFETY INFORMATION

Your safety and the safety of the others are very important.

This manual provides many important safety information. Always read and obey all safety message.

Keep this manual for future reference.

WARNING

A serious injury may occur if you fail to comply with instructions.



FURNITURE CARE AND MAINTENANCE

Thank you for your purchase. We want your item to last as long as possible.

To ensure the product gives you years of service, please refer to this care and maintenance guide.

WARNING

Before servicing or cleaning, ensure the heater has been cooled down.



MAINTENANCE

- Check gas line before each use. Inspect the entire gas line assembly for any sign of excessive abrasion, cuts, or wear.
- Leak test should be performed annually or every time after connecting to a propane gas tank for any suspected leak.



CLEANING (Exterior Surface)

- Clean the surface of the product with a damp cloth.



DO NOT use flammable or corrosive cleaning agents.



DO NOT submerge the product. If the gas control is submerged in water, DO NOT use it must be replaced.

CLEANING (Burner)

- Remove all rocks from the fire bowl and clean the burner with a small brush and compressed air.



STORAGE

- Ensure the control knob and the propane gas tank valve are "OFF".
- Disconnect the propane gas tank. DO NOT leave propane gas tank in direct sunlight or excessive heat.
- Propane gas tank must be stored outdoor in a well-ventilated area.
- Store the product upright in an area away from direct contact with inclement weather such as rain, sleet, hail, snow, dust, and debris.
- Ensure the gas line is stored in an area where it is unlikely to be tripped over or subject to other accidental damage.
- The product should be stored indoors only when the propane gas tank is disconnected from the product.

WARNING

Manufacturer and seller expressly disclaim any and all liability for personal injury, property damage or losses, whether direct, indirect, or incidental, resulting from the incorrect attachment, improper use, inadequate maintenance, unapproved modification or neglect of this product.

ASSEMBLY SUGGESTIONS

This product requires one person to assemble.

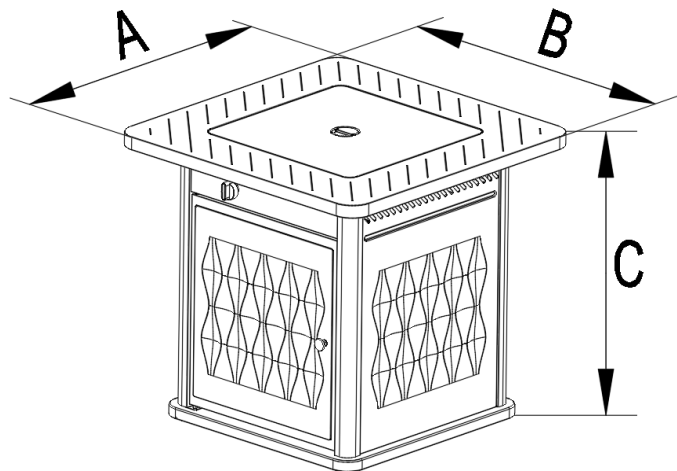
Please ensure safety and proper usage by reading the manual in its entirety before assembly. There are several steps to follow:

- Place all parts and hardware on a flat surface.
- Inspect each piece to ensure there is no damage or missing parts.
- Do not discard any packaging until all necessary parts are confirmed to be included for assembly.

⚠ CAUTION: Please be cautious when assembling this appliance as small components may pose a choking hazard. To prevent any injuries, we advise keeping small children and pets away during the assembly process.

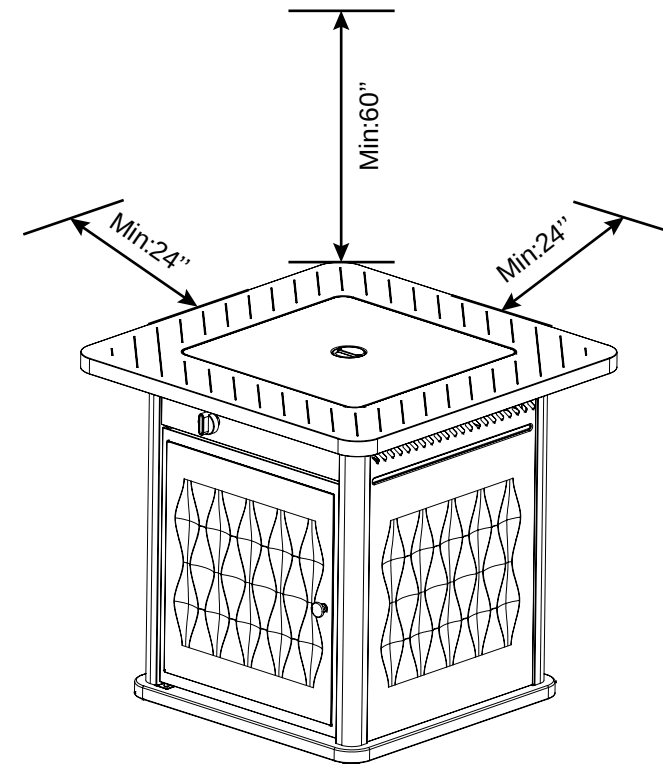
- Plastic bags and packaging film may present a choking or suffocation hazard. Keep small children and pets away during assembly to prevent any injury or death.

TABLE DIMENSIONS



	A	B	C
28 In	28in.(71cm)	28in.(71cm)	25in.(66cm)
32 In	32in.(81.2cm)	32in.(81.2cm)	25in.(66cm)

ASSEMBLY INSTRUCTION (Installation Location)

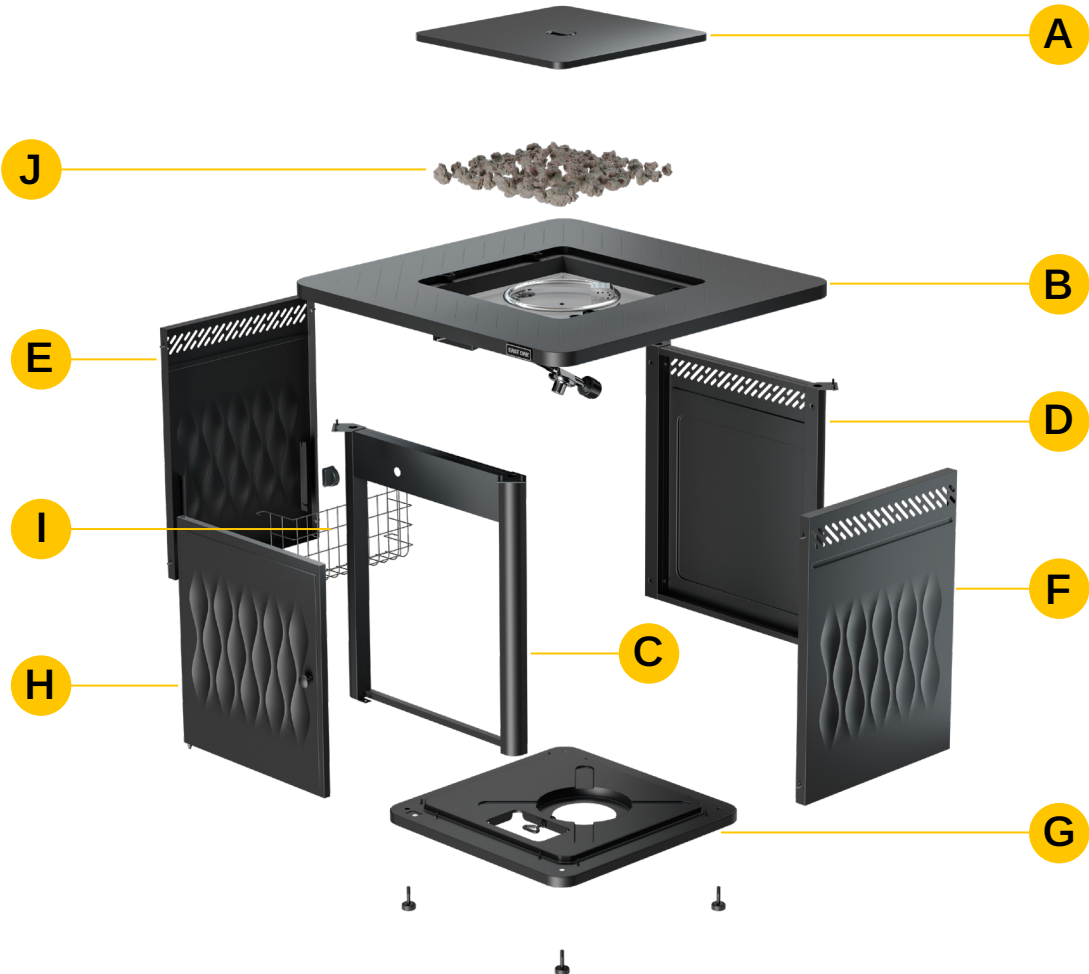


- Keep the unit away and clear from any combustible materials as illustrated.

⚠ WARNING

- This appliance should only be used in a well-ventilated outdoor area.
- DO NOT use this appliance in an enclosed area such as building, tent, car, or home.
- When an appliance is for connection to a fixed piping system, the installation must conform with local codes, or in the absence of local codes with the National Fuel Gas Code, ANSI Z223.1 • NFPA 54; National Fuel Gas Code; Natural Gas and Propane Installation Code, CSA B149.1; or Propane Storage and Handling Code, CSA B149.2, as applicable;

PACKAGE CONTENTS



PACKAGE CONTENTS

PART	DESCRIPTION	QUANTITY
A	Lid	1
B	Tabletop With Burner	1
C	Door Frame	1
D	Back Panel	1
E	Left Panel	1
F	Right Panel	1
G	Base	1
H	Door Panel	1
I	Storage Basket	1
J	Lava Rock	1

PARTS LIST



Lid
A X 1 PC



Tabletop With Burner
B X 1 PC



Door Frame
C X 1 PC



Back Panel
D X 1 PC



Left Panel
E X 1 PC

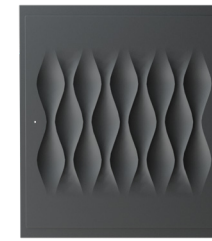


Right Panel
F X 1 PC

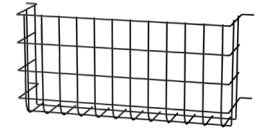
PARTS LIST



Base
G X 1 PC



Door Panel
H X 1 PC



Storage Basket
I X 1 PC



Lava Rock
J X 1 PC



Control Knob
EE X 1 PC



Adjustable Feet Levelers
BB X 4 PCS



M5*12 Screw
AA X 24 PCS + Spare X 1



Door Knob
DD X 1 PC



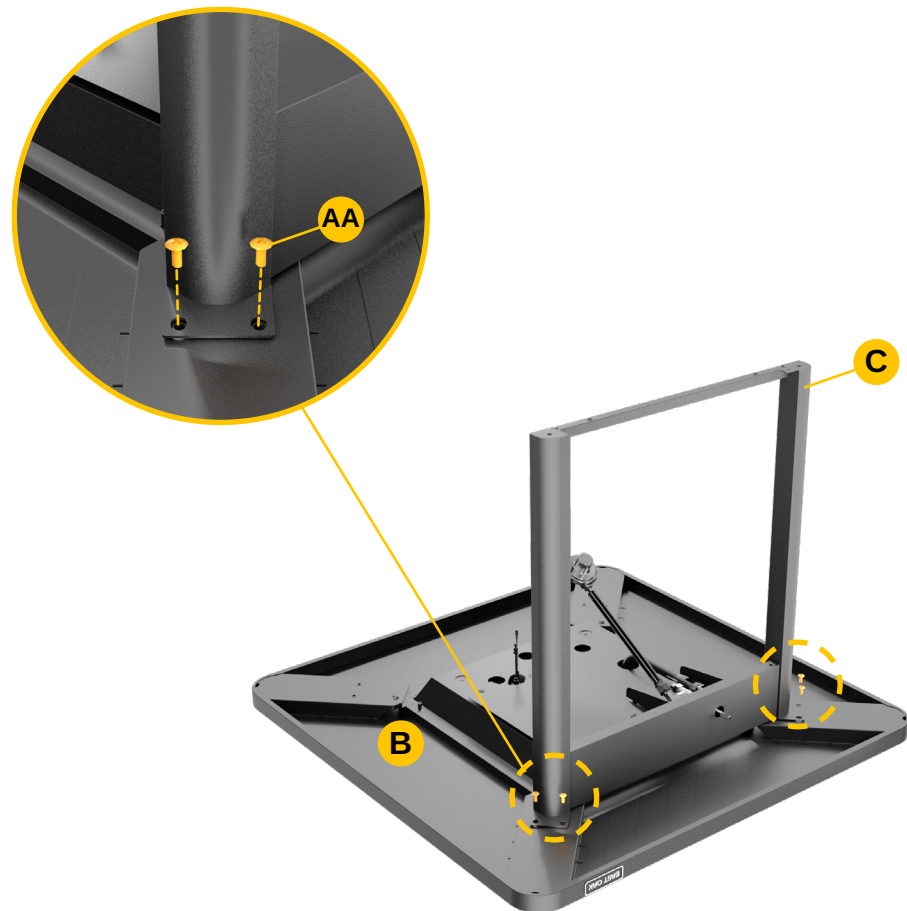
Door Screw
CC X 1 PC + Spare X 1

ASSEMBLY INSTRUCTIONS

1 Align the holes on both sides of the bottom of the door frame with the holes on the table, and screw in 2 screws M5*12 (AA) on each side.



AA X 4 PCS



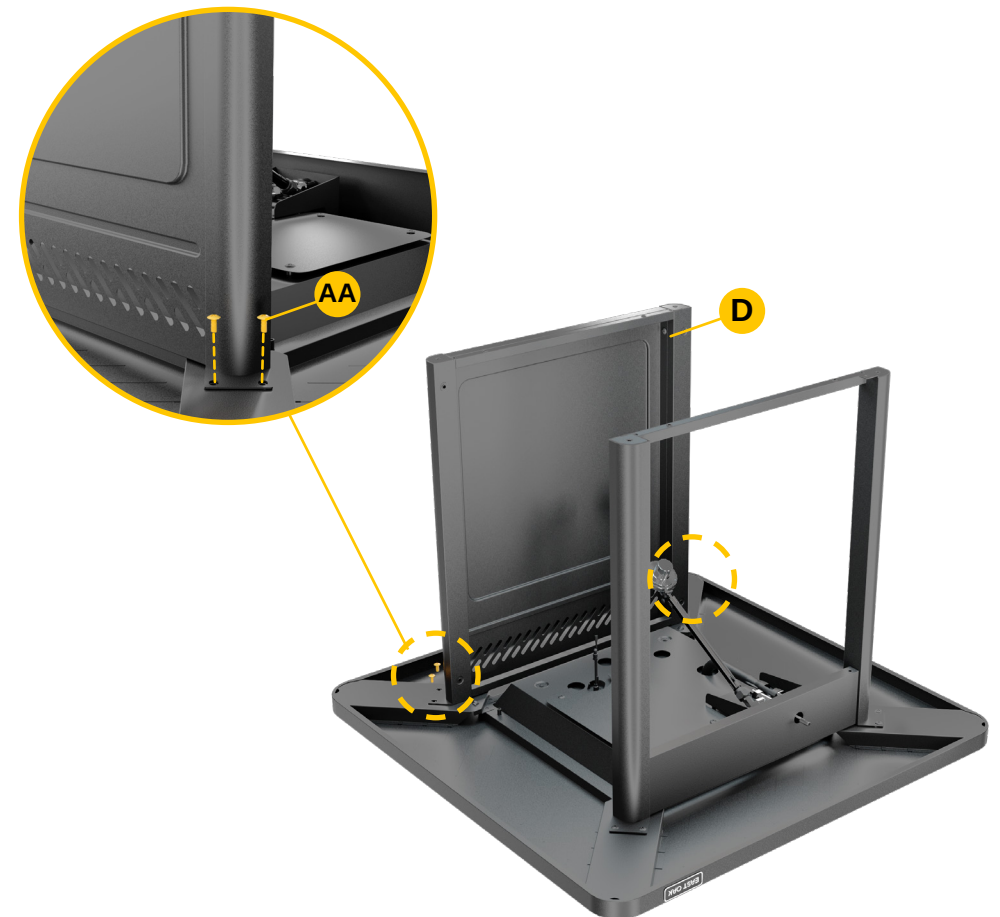
2 Align the 2 holes on both sides of the bottom of the back panel with the holes on the back of tabletop, and install 2 screws M5*12 (AA) on each side.



AA X 4 PCS



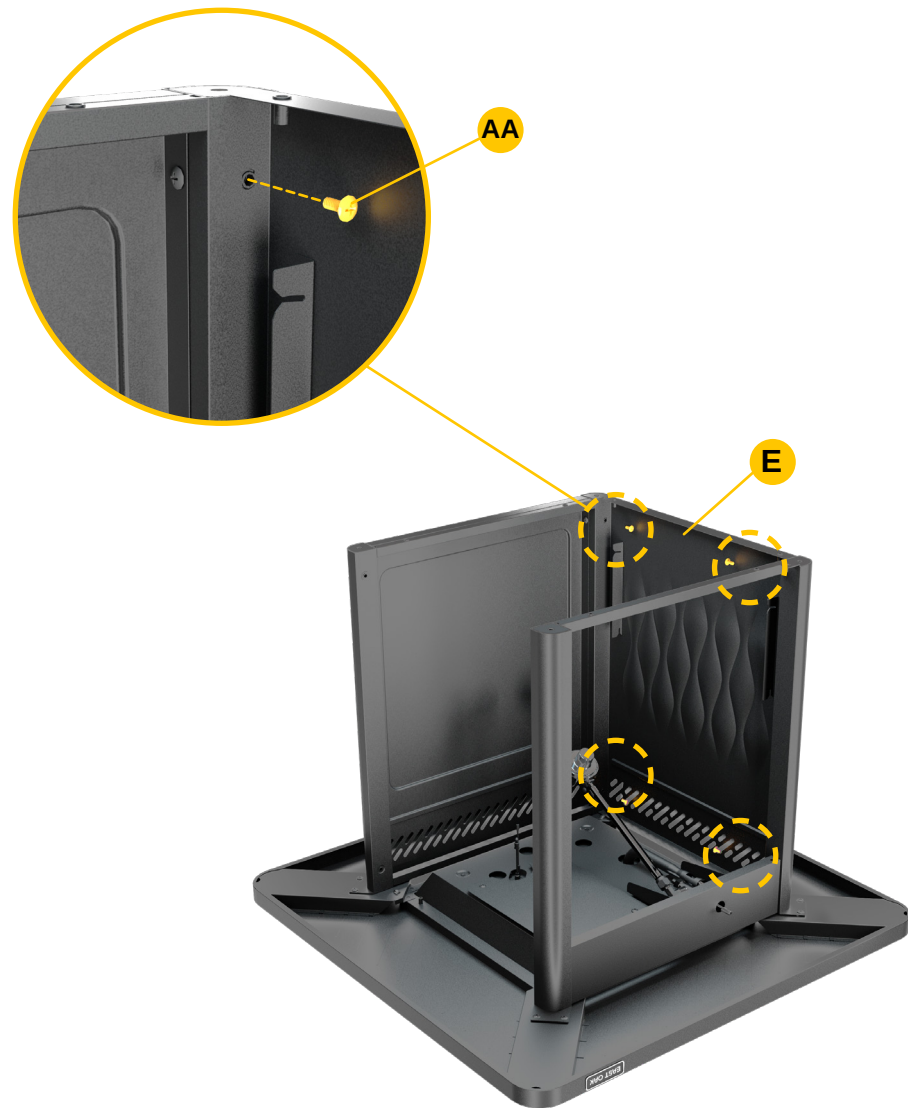
TIPS: The square steps of the back panel face outwards.



3 Left panel with mounting plate, assembly on the end near the ignition knob. Secure the 4 screws M5*12 (AA) on the upper and lower sides.



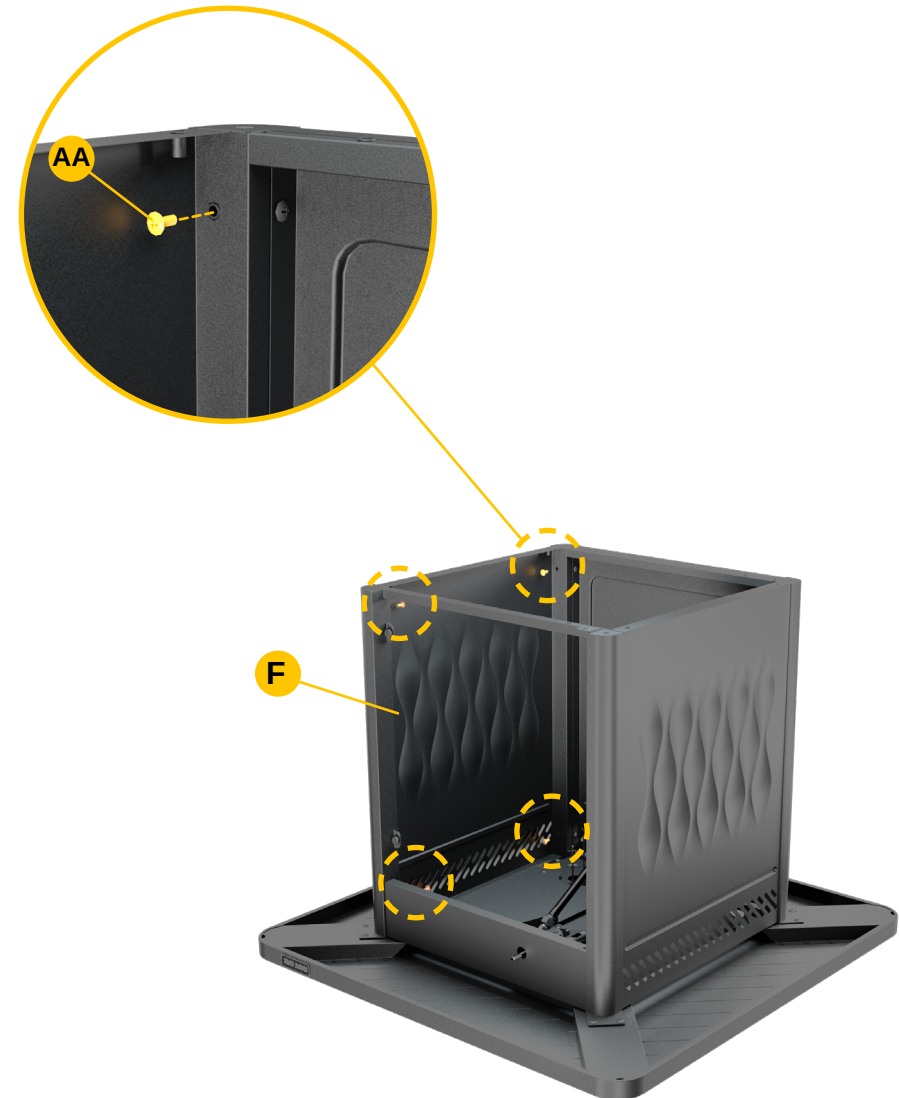
AA X 4 PCS



4 Repeat the above steps for the right panel.



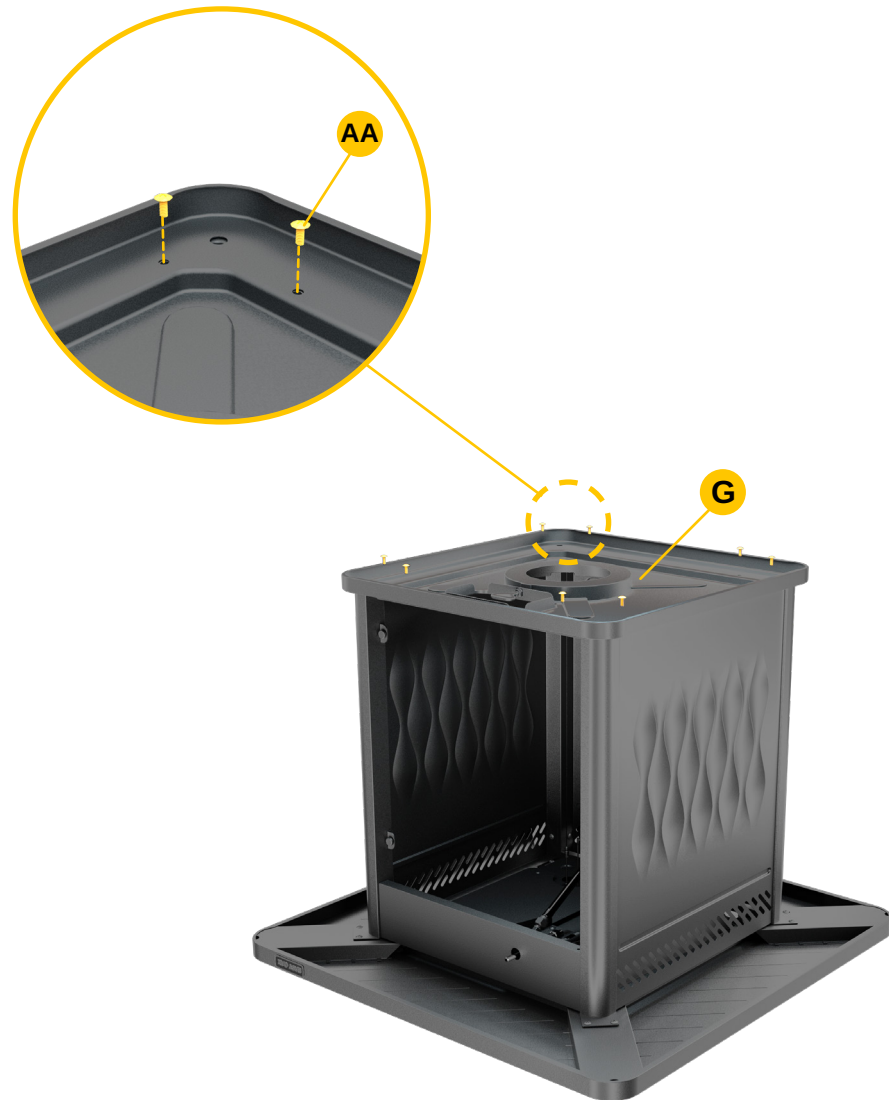
AA X 4 PCS



5 Align the base with the holes at the four corners of the component, and secure it with 8 screws M5*12 (AA).



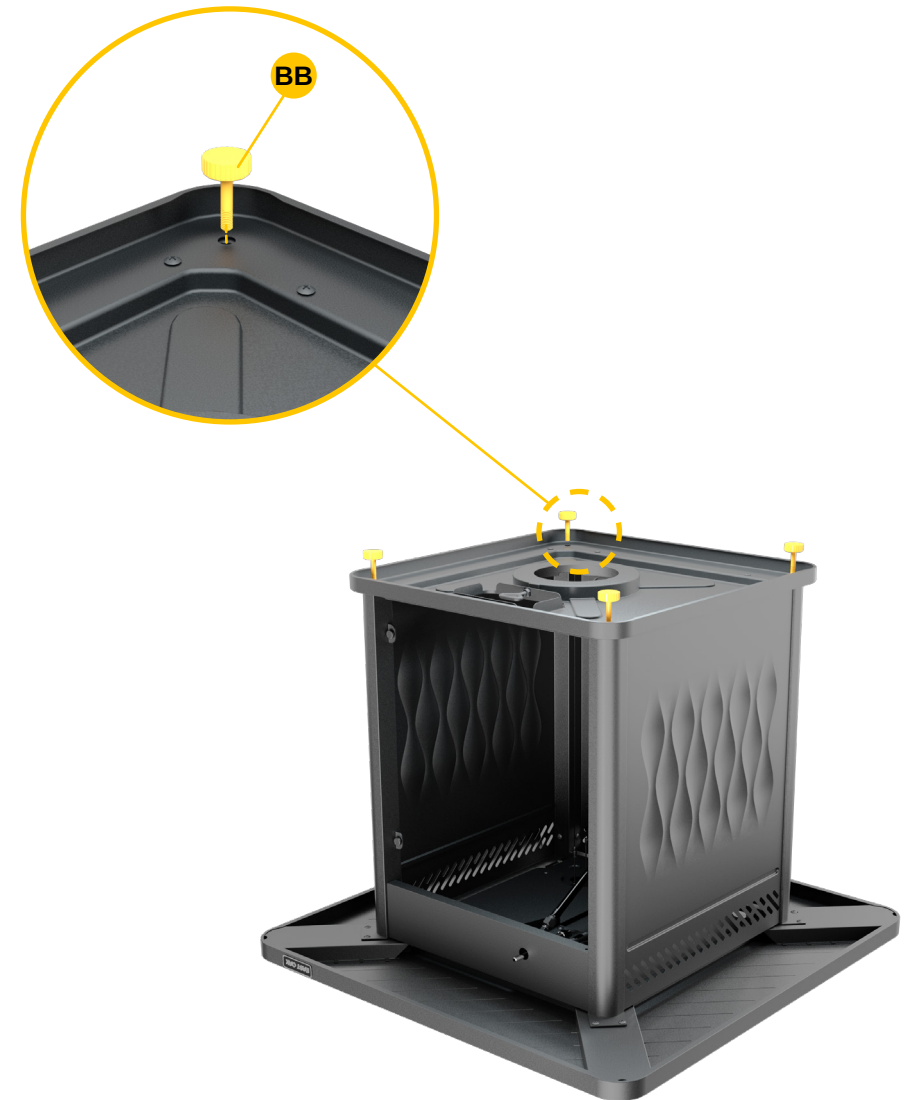
AA X 8 PCS



6 Insert the 4 adjustment feet (BB) into the base and screw clockwise.



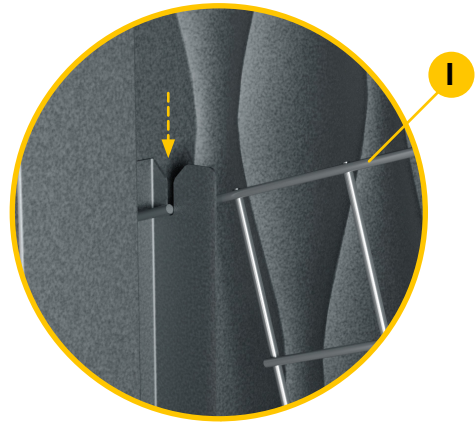
BB X 4 PCS



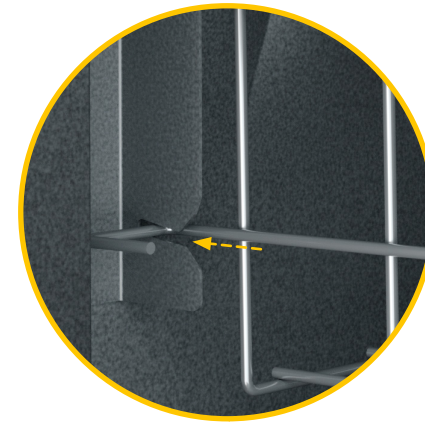
7 The hook at the upper end of the storage basket slides down to the bottom of the Y slot against the inner wall of the side panel, and the hook at the lower end of the storage basket hangs in the air.



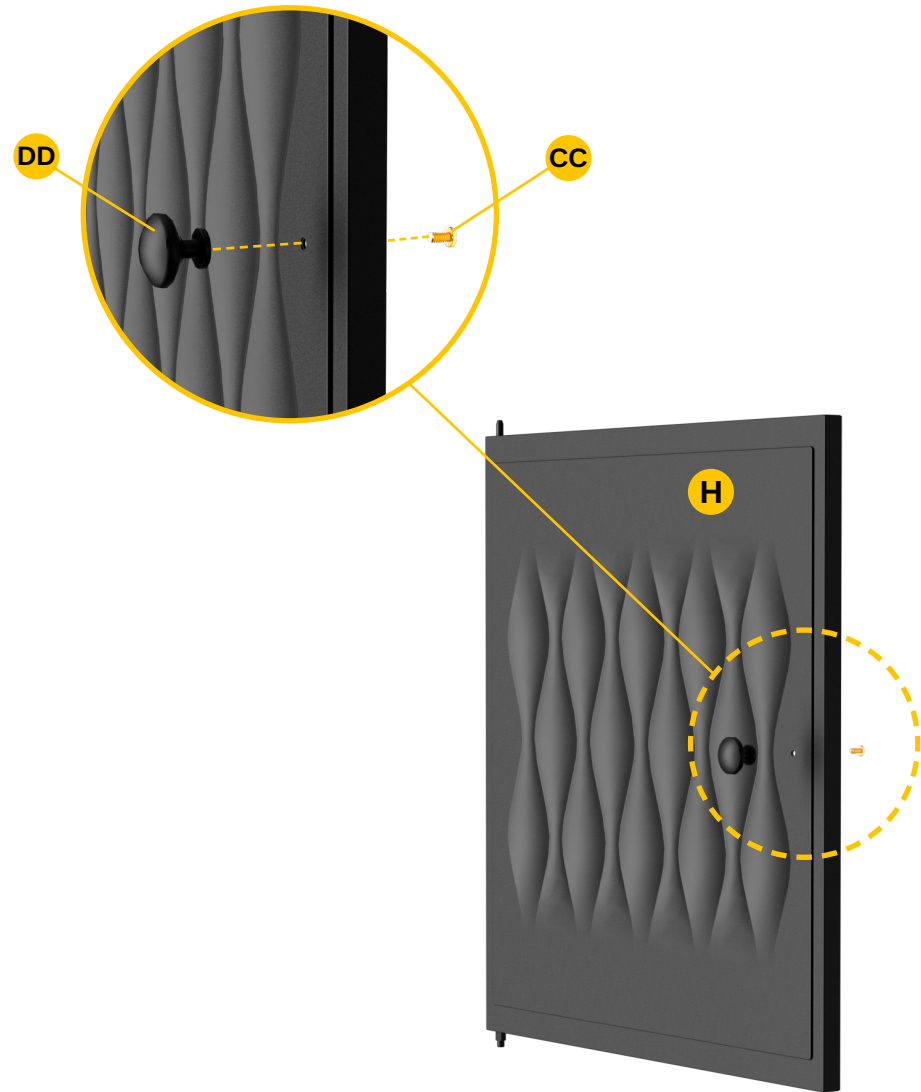
I X 1 PC



8 The hook at the lower end of the storage basket is pressed into the Y groove at the lower end by force toward the side panel.



9 Install the knob to door panel with a screw (CC).



10 Put the fixed hinge of the door panel into the hole under the door frame.




11 Pull down the spring hinge handle of the door panel, align it with the hole on the upper part of the door frame, release it, and return the hinge head to the hole and insert it into the hole.



12 Turn the lid and put in the lava rock. Fasten the control knob to the valve stem.

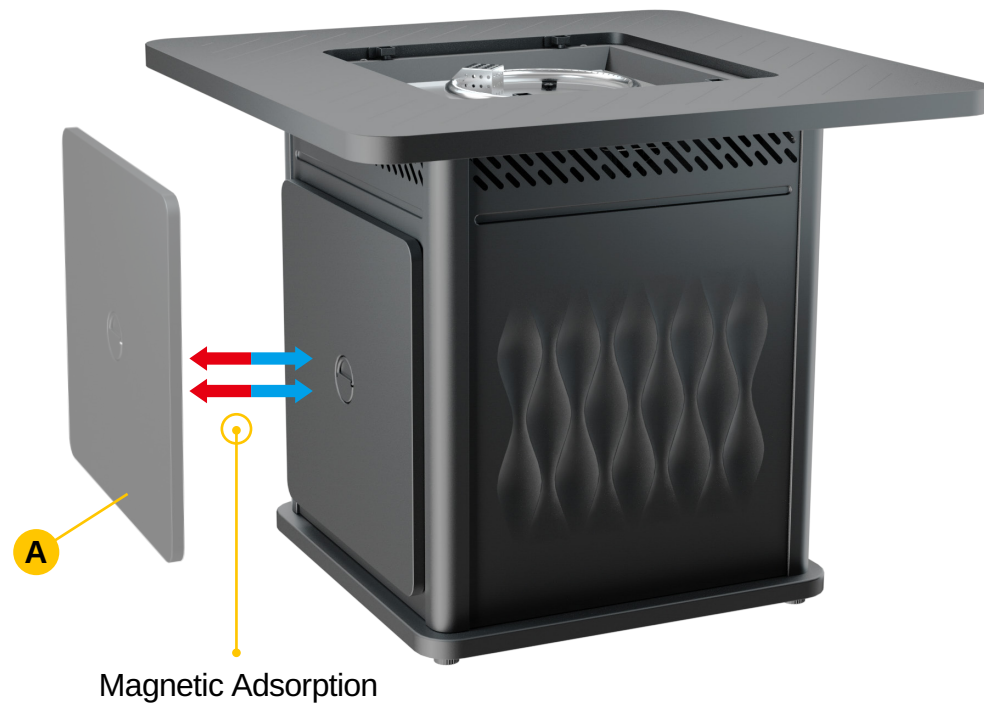


EE X 1 PC

 **TIPS:** Adjust the adjustable feet to a steady state before placing lava rock.



13 When the burner is burning or the burner is still warm after burning, the cover can be magnetically attached to the back panel.



14 If you purchase the optional rain cover, you can put the rain cover in the storage basket, and you can also place other items.



TIPS: DO NOT put gasoline, alcohol, flammable and explosive materials in the storage basket, it will be dangerous.



⚠ ATTENTION

- Do not put more than 4.5 lbs. of lava rocks into the burner.
- Do not touch or arrange the lava rocks once the product is in use. If arrangement is needed, allow the lava rocks to cool down completely before doing so.
- Do not mix different types of rocks together.
- Do not put the table lid on the fire pit when in use. Ensure the fire pit has cooled before placing the table lid over the fire pit.

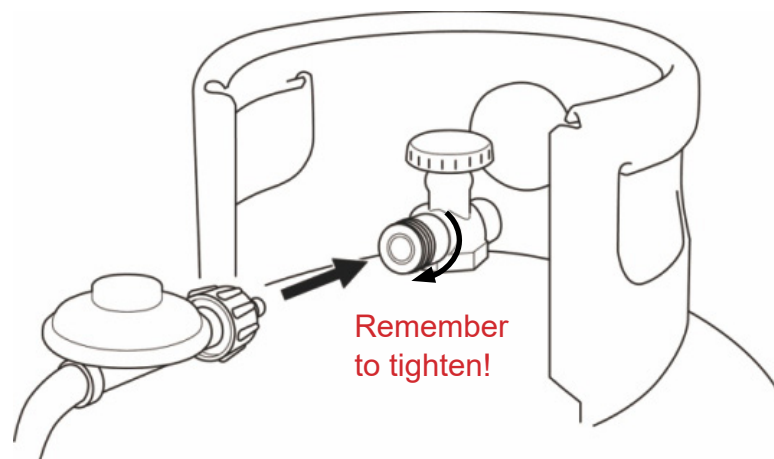
ASSEMBLY INSTRUCTION (LPG cylinder)

LIQUEFIED PETROLEUM GAS (LPG) SAFETY INFORMATION

LPG cylinder used with the product must be:

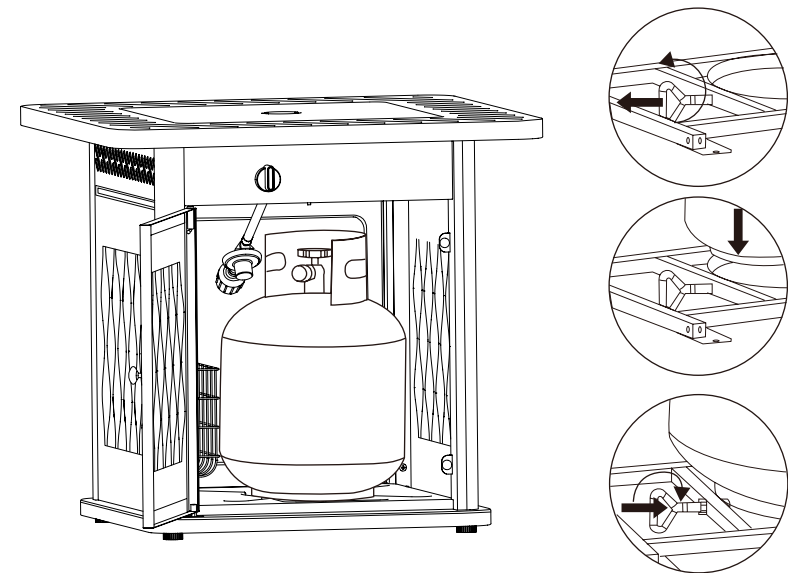
- Constructed and marked in accordance with the U.S. Department of Transportation (DOT) specification for LPG cylinder, CAN/CSAB339, Cylinders, Spheres, and Tubes for the Transportation of Dangerous Goods, as applicable.
- Arranged for vapor withdrawal.
- Provided with a tank collar to protect the tank valve.
- Provided with a listed overfilling prevention device and a QCC I or Type I (CGA810) LPG cylinder connection.
- Max. capacity: 20 lbs.
- Max. gas supply pressure: 250 PSI (1750 KPa).
- Min. gas supply for input adjustment: 25 PSI (175 KPa).
- Manifold pressure with regulator provided: 11 in. wc (2.74 KPa).
- Not stored in area with temperature over 125F / 51.5.
- The replacement hose assembly shall be that specified by the manufacturer.

LPG cylinder connection



- Inspect the entirety of the gasket for any sign of damage or erosion. Position the LPG cylinder in the fire pit and secure the unit using the retainer bolt.

- **⚠ ATTENTION:** Ensure the valve on the fire pit and LPG cylinder are set to the “OFF” position.
- Remove any protective caps on the LPG cylinder. Align the gas lines to the LPG cylinder nozzle. Fasten the connection with a coupler.
- **NOTE:** Be mindful of cross threading. To avoid this, do not overtighten screws and connections. The gas line should be tight enough without any signs of wiggling or gaps between connections.
- Inspect the gas line and perform a leak test prior to each use (see page 30).



LIGHTING INSTRUCTION

- Ensure the fire pit control knob is set to the “OFF” position.
- Turn on the gas cylinder valve by pressing the knob and turning it counterclockwise to the “IGNITOR” position. This is indicated by a lighting symbol. Repeat this step 2-3 times as needed until burner ignites.
- Once the burner sparks, hold the control knob at the “LOW” position for 20 seconds. The low setting is indicated by “I”. Then, release the knob and turn it counterclockwise to “HIGH” or “II”. Adjust the flame to your desired level.

LIGHTING INSTRUCTION

NOTE: If the ignitor does not spark or a flame can not hold:

- Ignite the burner with a long lighter or match. Heat-resistant gloves is highly advised to prevent any damage or injury.
- Press and turn the control knob to the “LOW” or “I” position. Hold for 20 seconds.
- Adjust the flame to your desired level.
- Keep in mind there may be a default 5-minute shut off period before the burner can be re-ignited.

! WARNING

- Children and pets must be supervised when near this product.
- Keep clothing or any flammable material away from the vicinity of this product to prevent burns or clothing ignition.

OPERATION INSTRUCTION (Turning Off)

Turning OFF

- To shut down the unit, turn the control knob clockwise to the “OFF” position.
- Turn off the gas cylinder and disconnect the regulator when appliance is not in use.
- Allow adequate time for the heater to cool down completely before transporting it.

! WARNING

- Ensure both the LPG cylinder valve and the control knob on the appliance are completely off to prevent a possible gas leak.

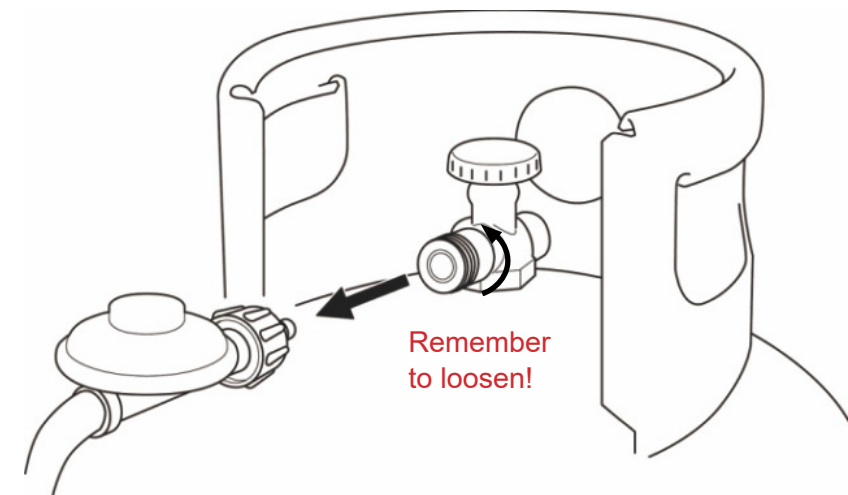
ASSEMBLY INSTRUCTION (LPG cylinder)

LPG cylinder disconnection

- Allow unit to completely cool down after use. Then, ensure LPG cylinder valve is shut and cooled down. Control knob on unit must be in the “OFF” position.
- Next, turn the coupling nut counterclockwise until the regulator detaches.
- Place the protective cap on the LPG cylinder valve and store the cylinder in outdoors in a well-ventilated area away from sunlight or excessive heat.

! WARNING

- LPG cylinder must be properly disconnected and removed prior to moving the fire pit.
- DO NOT attempt to disconnect the gas regulator from the LPG cylinder while the appliance is in use or when the appliance is still hot.



ASSEMBLY INSTRUCTION (Installation Location)

⚠ WARNING

- All leak test should be performed outdoors.
- Extinguish all open flames before testing.
- DO NOT smoke when perform leak test.
- DO NOT use the product until all connections have been tested and do not leak.
- Leak test should be perform once a year or after LPG cylinder or any gas systemparts replaced, whichever come first.

1. Mix half part liquid detergent and half part water to make leak check solution.
2. Apply leak check solution on every gas system joints and connections.
3. Turn ON the LPG cylinder valve to check any possible leak.

If bubbles appear at any connection, there is a leak.

1. Turn LPG cylinder valve OFF.
2. If there is a leak, disconnect the connection and reconnect, then perform another leak test. If bubbles continue to appear after several attempts, you should replace the hose or cylinder valve.

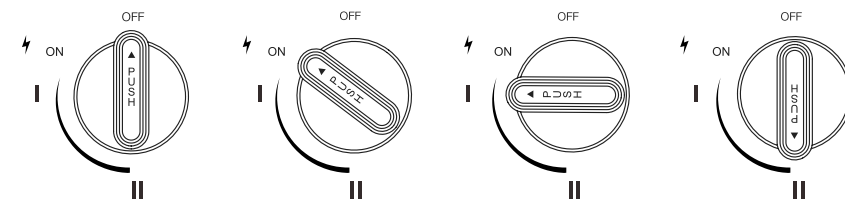
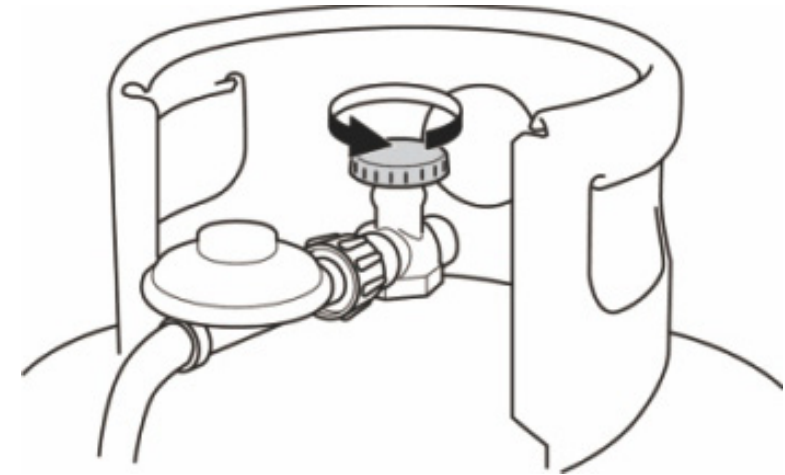
If NO bubbles appear, the connection is secure.

- DO NOT use the appliance if there is a leak.
- Contact a qualified service technician if attempts to stop the leak(s) are unsuccessful.
- Until leak problem is corrected, LPG supply must be shut o ffat the cylinder valve or the LPG cvlinder must be disconnected and removed from the appliance.
- Inspect gas hose before use. Hose assembly must be replaced if there is evidence of excessive abrasion, wear, or damage.

ASSEMBLY INSTRUCTION (Installation Location)

Before operating the appliance:

- Ensure the gas line is properly connected and there is no holes or damage to the hose.
- Ensure there are no leaks (see page 30 for how to check for leaks).
- Ensure the LPG cylinder valve and all control knobs are switched to the “OFF” position.



TROUBLESHOOTING

Problem	Possible Cause	Solution
Burner will not light	LPG cylinder valve is closed	Ensure the regulator is attached to the cylinder valve. Open the valve.
	Coupling nut not fully connected	Manually tighten the coupling nut to the cylinder valve.
	Low or empty LPG cylinder	Refill or replace the LPG cylinder
	Electrode and burner are wet	Dry the appliance
	Failed igniter	Possible part replacement required
	Broken electrode or spark	Possible part replacement required
	Carbon deposit accumulated on the burner port or thermocouple	Clean the burner and thermocouple
		Possible part replacement required
	Obstruction of gas flow	Ensure the hose is not bent, tangled, or damaged.
	Disconnection between the burner and LPG cylinder	Ensure no connections are broken.
Propane gas leak	Coupling nut improper connection	Manually tighten all connections.
	Gas line worn out	Gas line must be replaced
Sudden drop in flow or reduced flame height	Gas flow regulator is triggered	Turn off the appliance and reignite See p.28 for ignition instruction
Flame is yellow or orange or irregular flame pattern or fire in venturi or burner	New burner may have residual manufacturing oils	Allow the fire pit to operate for at least 15 minutes. Inspect after minutes.
	Spiderwebs or insect nest in burner	Clean burner
	Burner ports clogged or blocked	Clean burner port
	Gas flow obstruction	Ensure gas line is not bent and burner is not clogged with debris
	Poor alignment of opening to burner	Ensure the burner is properly engaged with opening

TROUBLESHOOTING

Problem	Possible Cause	Solution
Flame goes out	Highwind/g using wind	DO NOT use the appliance in high winds
	Low LPG level	Exchange, refill or replace LPG cylinder
	Carbon deposit accumulated on the burner port or thermocouple	Clean the burner and thermocouple
Flame seems to lose heat in cold weather	Ice has built upon the surface of the LPG cylinder	Wait until the LPG cylinder warms up and defrosts
		DO NOT use this appliance when outdoor temperature is below 40°F (5 °C) or LPG cylinder is less than 1/ 4 full
		Replace LPG cylinder

FEATURES

- Curved table corners and unique texture design, designed for outdoor use.
- Exclusive easy installation steps, the recommended installation time is 30 minutes.
- 50,000 BTU output and CSA safety certification, equipped with 4.4 lbs. of lava rock.
- The cover can be magnetically attached to the back panel for compact storage.
- The built-in storage basket can conveniently place the rain cover.

WARNING

Cancer and reproductive harm
www.P65Warnings.ca.gov.

WARRANTY POLICY

EAST OAK warrants this Patio Heater for the components, coverage, and warranty period listed in the table below under normal use and proper maintenance. The limited warranty is valid for the original retail purchaser from the date of initial retail purchase through the term of the limited warranty period. The warranty period and coverage for the replacement parts shall be as follows:

Warranty Periods and Coverage

Components	Warranty Period	Coverage
The Whole Product	3 Year	Material and Manufacturing Defects

Not Covered:

- UV damage: ultra-violet damage to coating.
- Normal wear and tear, cosmetic blemishes occurring as a result of use (scratches or dents etc.).
- Damage caused by misuse, accident, abuse, or improper care.
- Damage caused by acts of nature (storm damage, wind damage, etc.).
- Arbitrarily repair or modification by the customer.

During the limited warranty period for the product, East Oak will provide parts, repair, or replace your product, at our discretion, due to any defect in materials or manufacturing defects.

East Oak will provide replacement parts, but the customer will be responsible for installation.

Fire Pit Table 50000 BTU



EAST OAK

✉ support@eastoak.com

🌐 eastoak.com

☎ 1-833-EAST-OAK (USA)