

4-piece Patio Conversation Set Owner's Manual

MODEL:

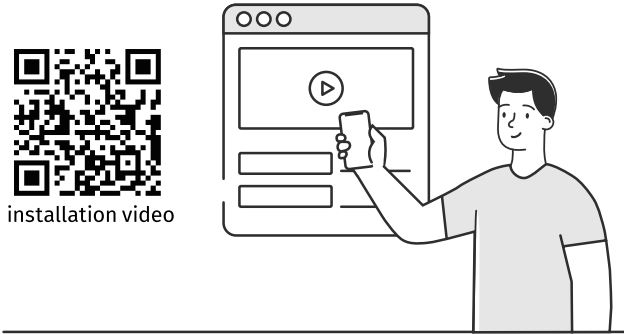
EFSFLC44



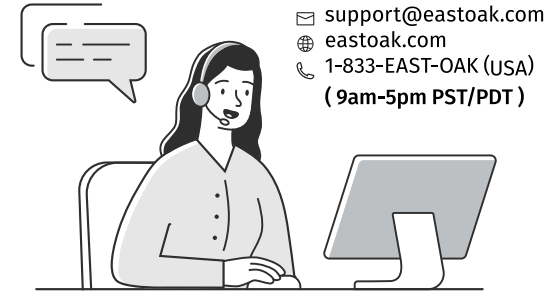
EAST OAK



Need help starting?
Scan the QR code for installation video guidance.



Questions or Comments?
We're here to help!
Reach out for expert support:



Unlock all the perks! Start the registration process now for a 3-year warranty.

Scan the QR code within 90 days to access our registration page. Fill the Unique Product ID and other required information as instructed.

Complete the registration!



Welcome to the East Oak family!

Stay updated with our latest news and exclusive discounts by following us on social media!



Facebook @eastoakliving
www.facebook.com/eastoakliving



Instagram @eastoakliving
www.instagram.com/eastoakliving/



Youtube @eastoakliving2080
www.youtube.com/@eastoakliving2080

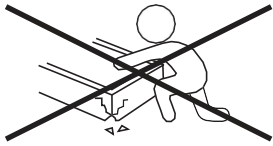
IMPORTANT CAUTION

Before beginning assembly of product, make sure all parts are present. Compare parts with package contents list and hardware contents. If any part is missing or damaged, do not attempt to assemble the product. If any part is missing or damaged, please contact customer service at support@eastoak.com.

- Some parts may contain sharp edges. Wear protective gloves if necessary during assembly.
- When using power tools, please adjust the gear to the minimum. Otherwise, it will cause damage to the parts.

SAFETY GUIDE

- For your safety and to reduce the risk of severe personal injury, the user must read and understand this Safety Guide.
- Assemble each piece only following the instructions. Using tools or hardware not included in the original packaging, or improperly assembly may cause the product to malfunction or has a risk of severe personal injury.
- Assemble on a flat and soft surface, such as carpeting, to avoid scratches or damage.



NOTICE

- Tighten all bolts and screws again within the first two weeks of assembly.
- Check the tightness of all bolts every two months, tighten them if necessary.

CARE & CLEANING

- For best results, clean the frame with a damp cloth and dry thoroughly. This will help prevent mildew by removing dirt particles that may accumulate.
- Do not clean with abrasive materials, bleach, or solvents.
- Store the set in a dry, sheltered place when not in use.

- Keep the set out of the fire, extreme heat, freezing conditions, and inclement weather such as rain, hail, snow, or wind. PLEASE NOTE that the metal paint may come off due to weather conditions.
- PLEASE REMOVE the sponge from the cushion before washing.
- Stains on the Fabric can be cleaned with lukewarm water, with neutral liquid soap, and brush gently. After washing the stains, just dry naturally, do not twist, so as to avoid fabric deformation, and do not use high temperature ironing, so as to avoid high temperature discoloration.



READ & SAVE BELOW INSTRUCTIONS BEFORE ASSEMBLY

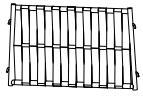
1. Please separate and identify all parts, making sure that you have all of the parts listed.
2. To avoid any scratch during assembly, please assemble on a soft mat or similar.
3. Please assemble step by step and follow the instructions.
4. Washers must be used.
5. Do not completely fasten each screw and nut until all the screws are properly fixed.

ASSEMBLY SUGGESTIONS

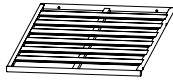
- Two adults required for a safe assembly



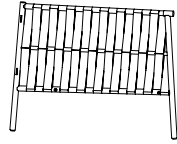
PARTS LIST



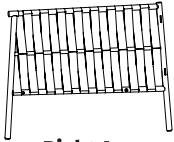
Single Sofa Back
A X 2PCS



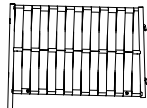
Single Sofa Seat
B X 2PCS



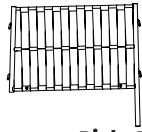
Left Arm
C1 X 3PCS



Right Arm
C2 X 3PCS



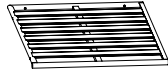
Loveseat Left Back
D1 X 1PC



Loveseat Right Back
D2 X 1PC



Loveseat Left Seat
E1 X 1PC



Loveseat Right Seat
E2 X 1PC



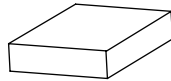
Seat Leg
F X 1PC



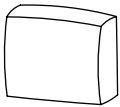
Table Top
N X 1PC
600mm



Table Leg
O X 4PCS



Seat Cushion-A
R1 X 4PCS



Back Cushion-A
S1 X 4PCS



Seat Cushion Cover
T1 X 4PCS



M6*40 Screw
a x 22PCS + Spare(x1)



M6*15 Screw
b x 12PCS+Spare(x1)



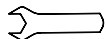
M6 Flange Nut
c x 2PCS + Spare x1



Washer
d x 36PCS + Spare x1



Inner Hex Wrench
e X 1PC



External Hex Wrench
f X 1PC

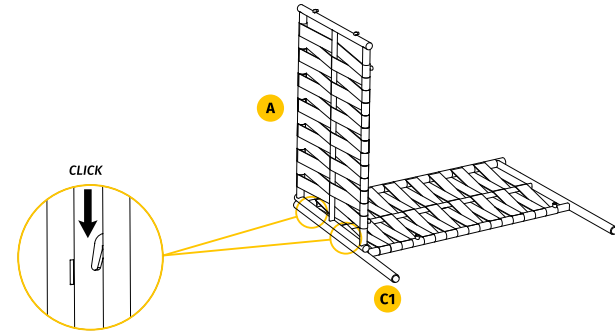


Ratchet Wrench
g X 1PC

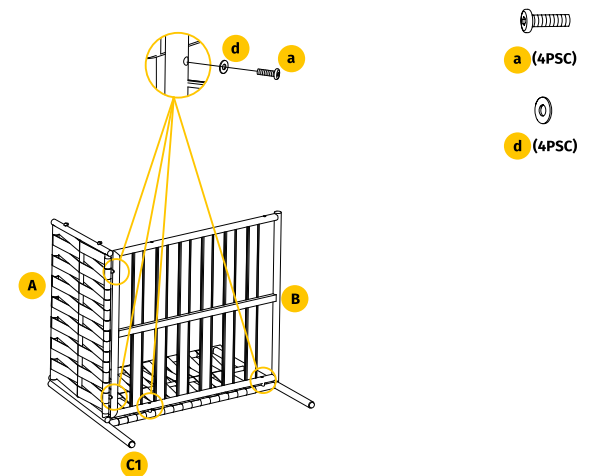
! While installing the screws on the same part, do not tighten them one by one. Only tighten them completely after you have inserted all the screws in the screw hole.

70% →	→	100% ✓	✗
70% →	→	100% ✓	✗

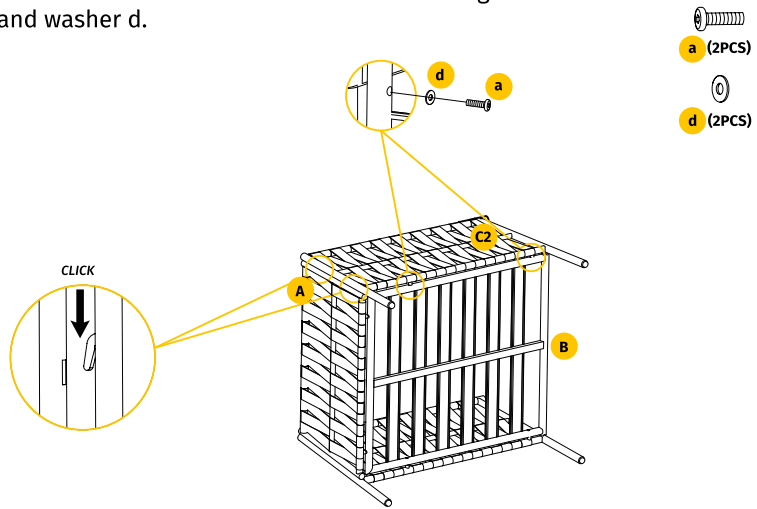
1 Insert the hooks on the A into the designated holes on the C1.



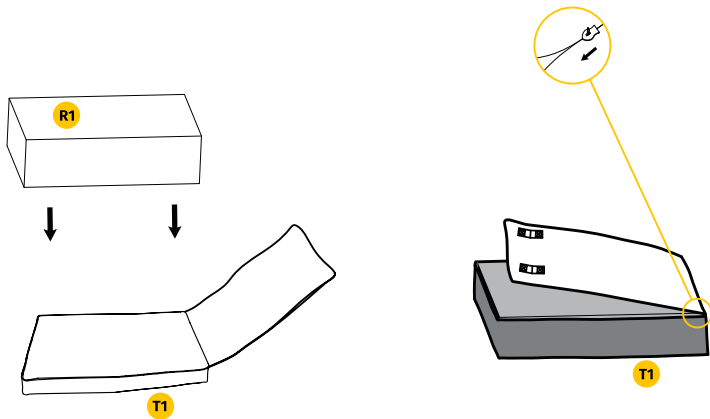
2 Position the B as shown, and secure it at the four indicated holes using screw a and washer d.



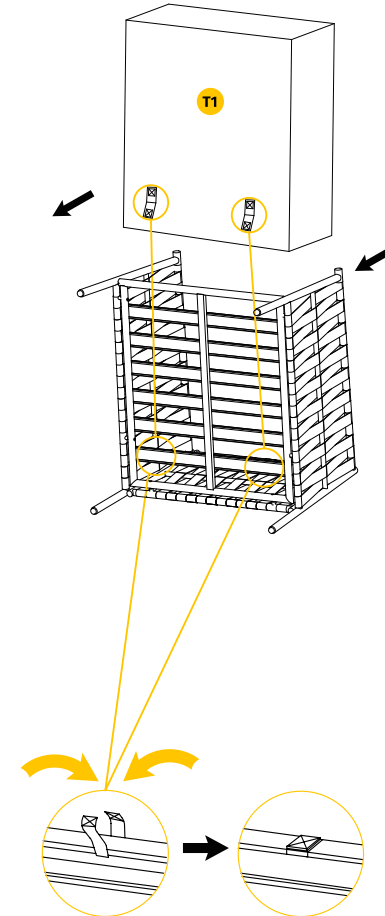
3 Insert the hooks on the A into the designated holes on the C2. And secure it at the two indicated holes using screw a and washer d.



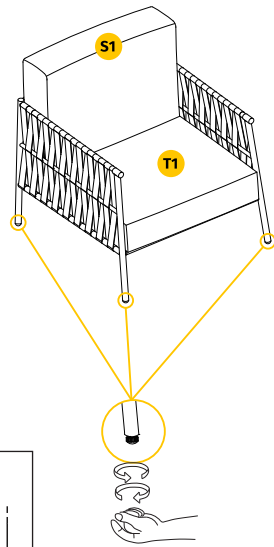
4 Place the seat cushion into the seat cushion cover and zip it up.



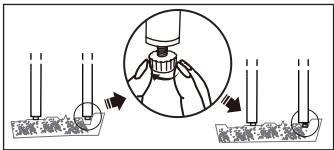
5 Tie the seat cushion to the seat pipe with velcro.



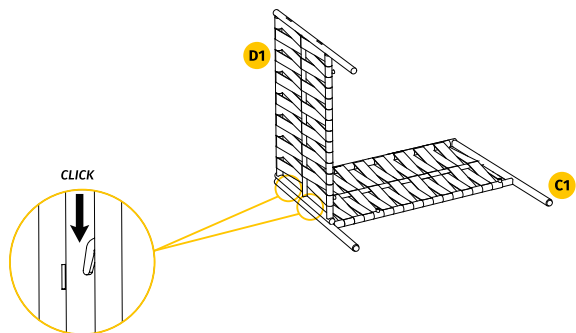
6 Place the back cushions on the seat.



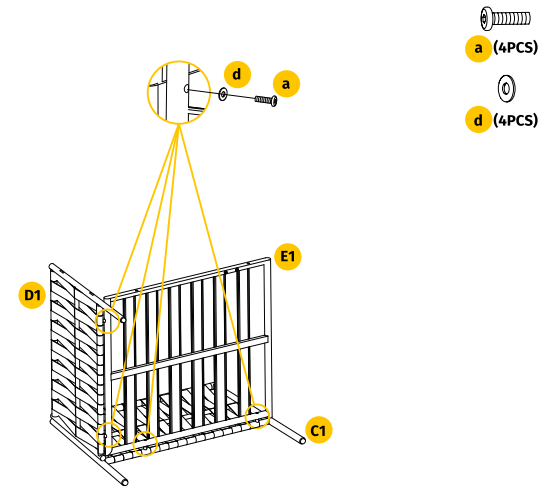
How to keep stable on uneven ground.



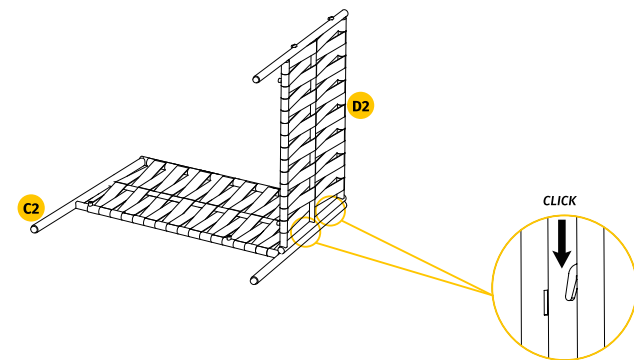
7 Insert the hooks on the D1 into the designated holes on the C1.



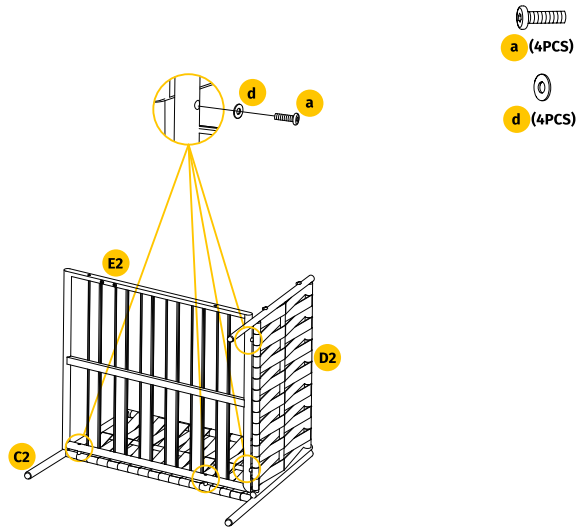
8 Position the E1 as shown, and secure it at the four indicated holes using screw a and washer d.

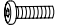



9 Insert the hooks on the D2 into the designated holes on the C2.

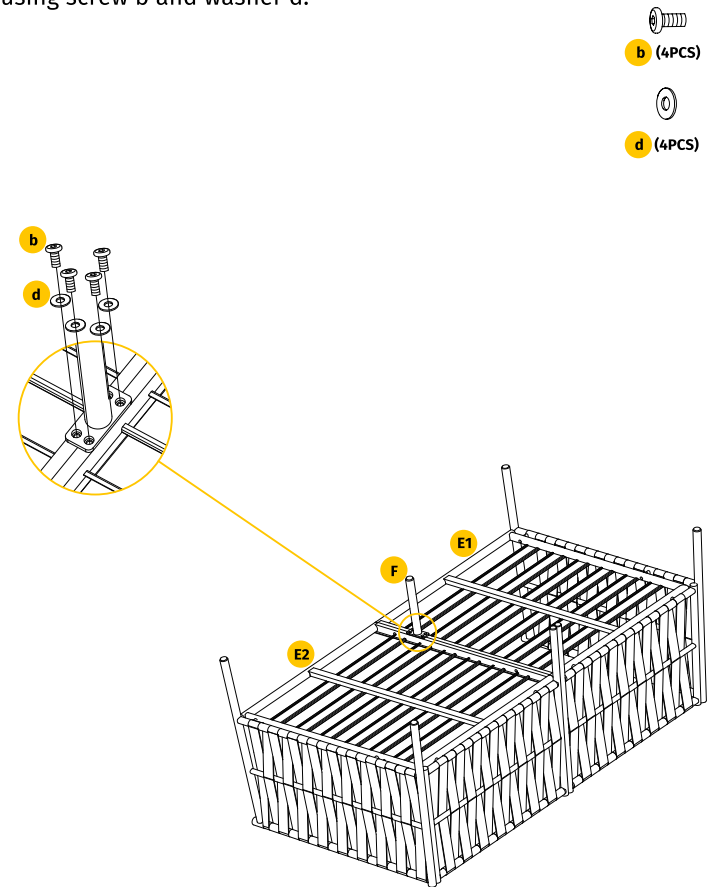


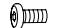

10 Position the E2 as shown, and secure it at the four indicated holes using screw a and washer d.



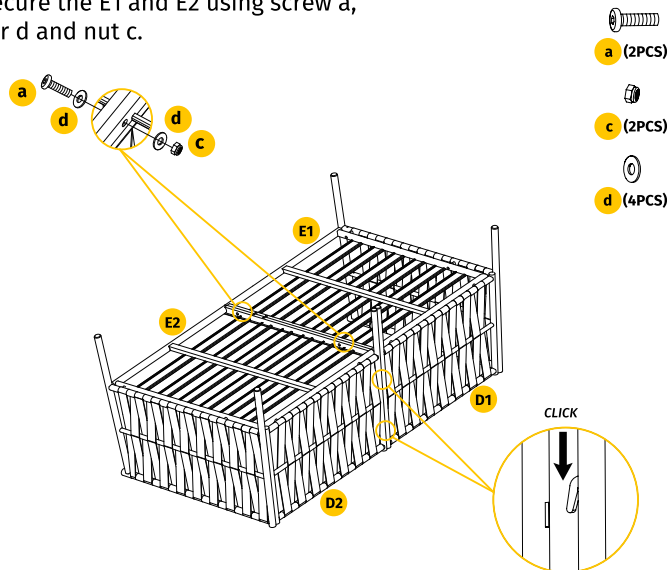
-  a (4PCS)
-  d (4PCS)

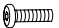


12 Place the F in the position as shown, and secure it using screw b and washer d.



-  b (4PCS)
-  d (4PCS)

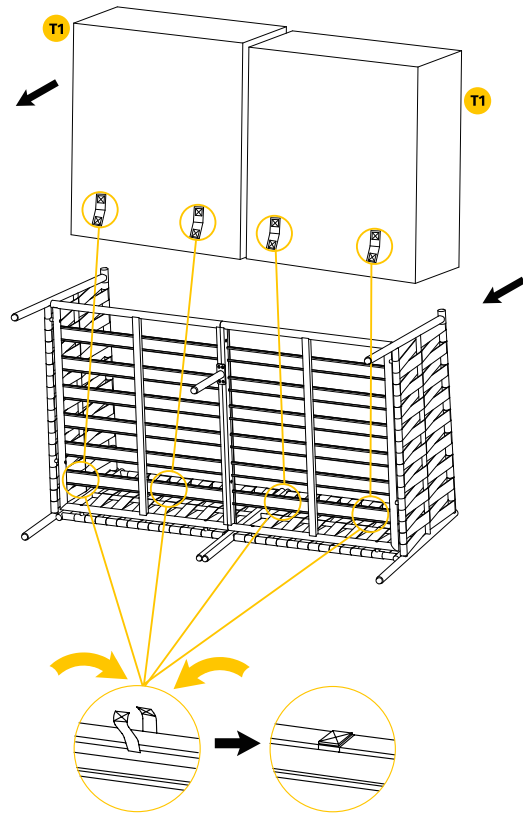
11 Combine the components assembled in Step 8 and 10 as shown. Insert the hooks on the D2 into the designated holes, and secure the E1 and E2 using screw a, washer d and nut c.



-  a (2PCS)
-  c (2PCS)
-  d (4PCS)

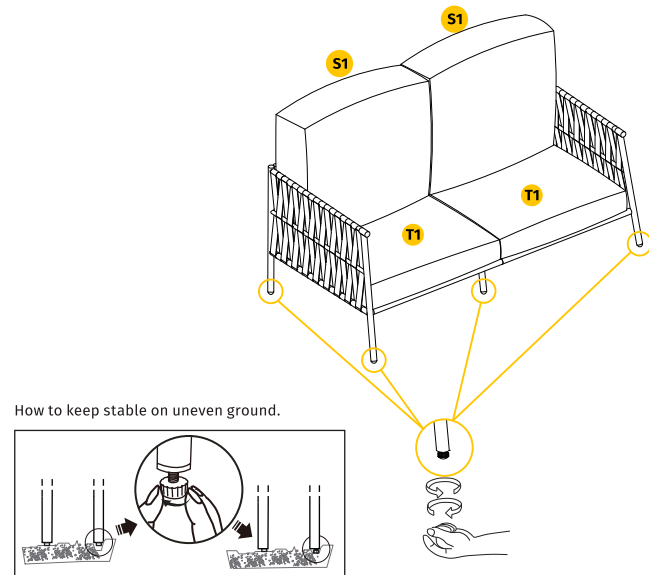
13

Tie the seat cushion to the seat pipe with velcro.



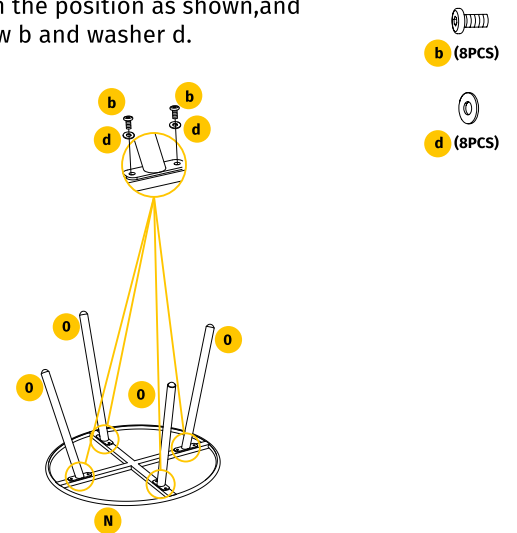
14

Place the back cushions on the seat.

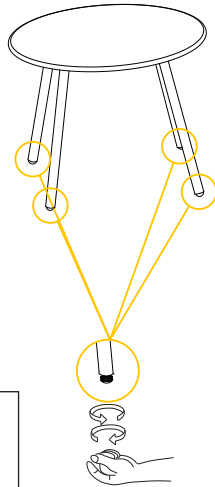


15

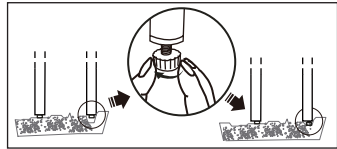
Place the N and O in the position as shown, and secure it using screw b and washer d.



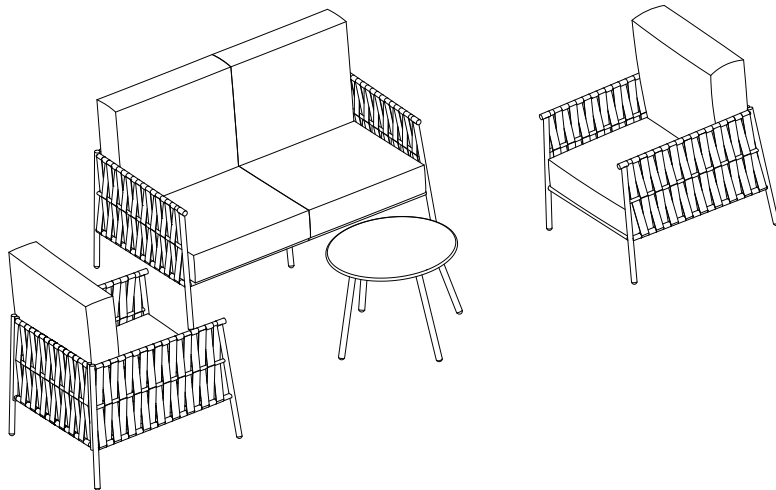
16



How to keep stable on uneven ground.



17

 Finish.

FEATURES

- The covers of the cushions can be removed for easy cleaning and maintenance.
- Featuring sturdy steel frame and TPU waterproof seat cover. This conversation set can withstand rain and wind.
- Soft sponge-filled seats provide extra comfort.
- The coffee table can be used to place small decor, snacks, or beverages.

WHAT'S IN THE BOX

- 1 x Loveseat
- 2 x Armchair
- 1 x Round Table
- 4 x Seat Cushions
- 4 x Back Cushions
- 1 x Accessory Kit
- 1 x Owner's Manual

TECHNICAL SPECS

- Construction Materials: Steel Frame, Sponge Cushion.
- Weight Capacity:
 - Armchair: 350 lbs.
 - Loveseat: 700 lbs.
- Assembly Time: 25-30 minutes.
- Product Size:
 - Loveseat: 32.28 x 54.33 x 24.8 inches
 - Armchair: 32.28 x 29.13 x 24.61 inches
 - Round Table: 23.62 x 23.62 x 18.11 inches

WARRANTY POLICY

GUARANTEED 3-YEAR WARRANTY

Thank you for choosing East Oak. This product is covered by our company warranty for up to 3 years from its original purchase date.

CLAIM WARRANTY

If you'd like to claim your product's warranty, register your new product on our website at www.eastoak.com/warranty.

⚠ WARNING

Cancer and reproductive Harm
www.P65Warnings.ca.gov.

4-piece Patio Conversation Set



EAST OAK

✉ support@eastoak.com

🌐 eastoak.com

☎ 1-833-EAST-OAK (USA)