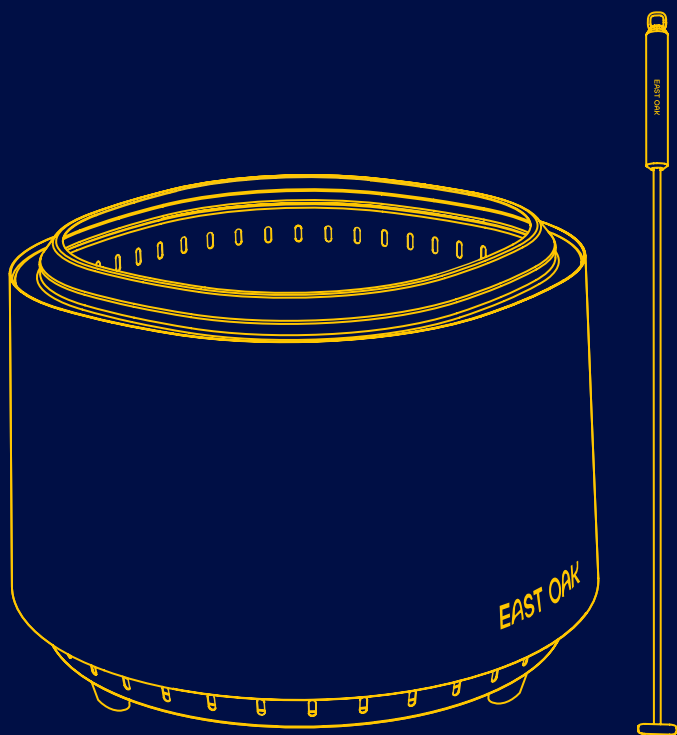


# Stainless Steel Smokeless Fire Pits Owner's Manual

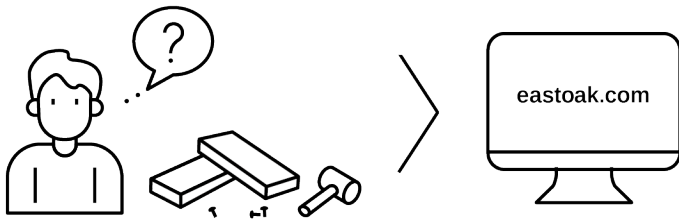
**MODEL:**

WFP22001 | WFP22002 | WFP22003  
WFP22004 | WFP22005 | WFP22006  
SS21SR1



# EAST OAK

Signature



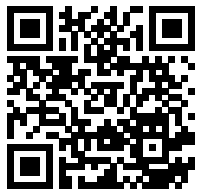
**Questions? Comments?  
Reach out to us for expert support!**

✉ [support@eastoak.com](mailto:support@eastoak.com)  
🌐 [eastoak.com](http://eastoak.com)  
☎ 1-833-EAST-OAK (USA)  
(1-833-327-8625) Mon-Fri 8am-8pm EST

Follow [eastoakliving](#) on



**Claim your 3-year warranty**  
at [eastoak.com/warranty](http://eastoak.com/warranty)



**Please scan the QR code  
to view the installation video**



## **Stainless Steel Smokeless Fire Pits FIRE GUIDELINE - USER GUIDE**

Thank you for purchasing our Stainless Steel Smokeless Fire Pit. With our Stainless Steel Smokeless Fire Pit, you can warm yourself outdoors in winter to enjoy your personal time, and also spend unforgettable bonfire nights with your friends and family.

Whether you're a beginner or a master who has been able to control the flame with ease, this Guide will help you prevent yourself or others from being injured when you're around the flame.

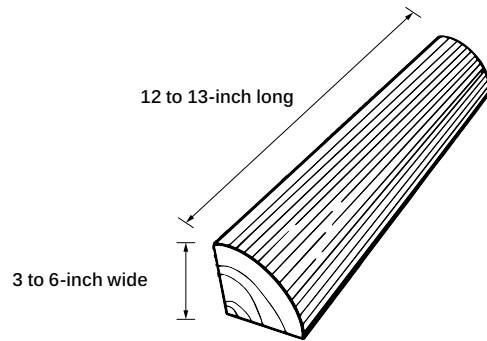




## STEPS FOR USAGE

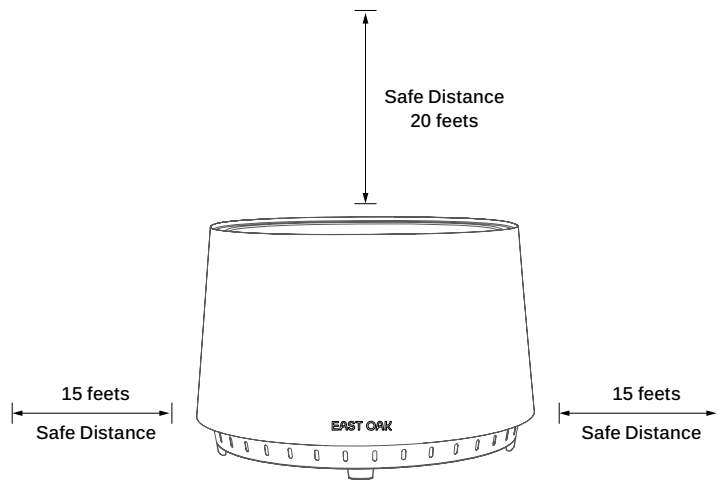
# 1

Select the right fuel. It is recommended to use 12 to 13-inch long and 3 to 6-inch wide wood. For hardwood, we recommend hickory, beech and oak tree; for cork, we recommend cedrus, alnus cremastogyne, hemlock spruce, pine, chestnut and willow.



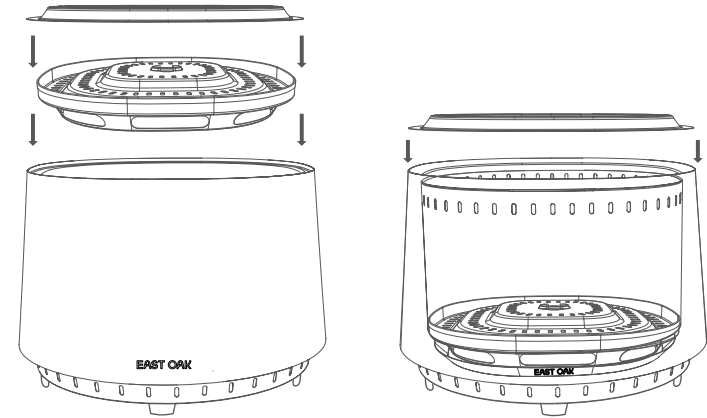
# 2

Main fire pit: Put it on a flat ground in use, and keep it away from flammable objects.



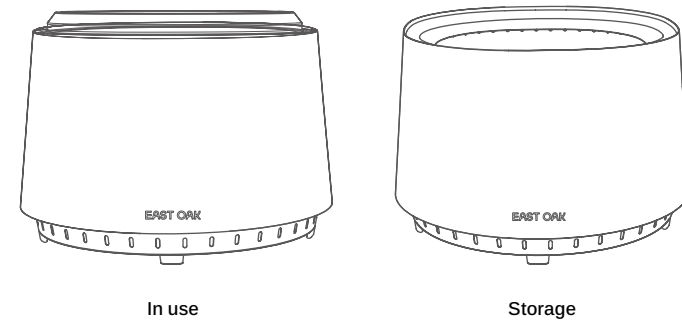
# 3

Make sure the burner plate fittings are properly installed inside the fire pit.

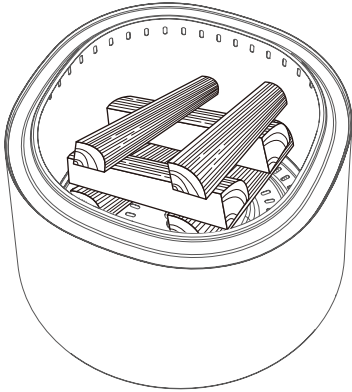


# 4

Install the fire gathering ring, and let it protrude from the mouth of the brazier to better gather the flame.



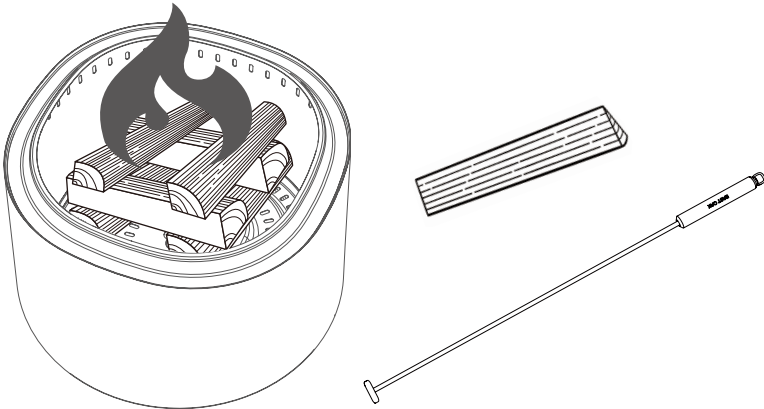
**5** Closely pack the wood and any ignitors you select above the burner plate.



Tips:

- In order to achieve the best results, don't fill Stainless Steel Smokeless Fire Pits completely with wood.

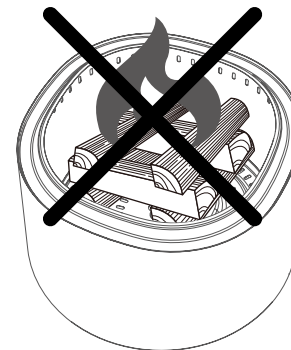
**6** Add wood fuel after the fire ignites the wood.



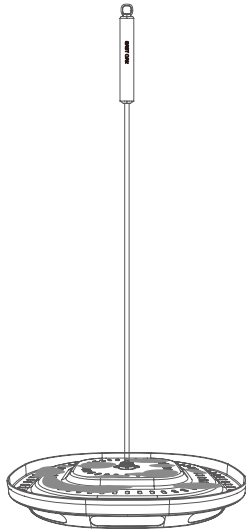
**7** Enjoy your bonfire night.



**8** Leave the fire to die out after use.



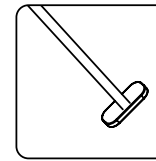
- 9** After the Stainless Steel Smokeless Fire Pit is completely cooled down, use a fire hook to catch the ring of burner plate kit and pull it, and dump ashes.



- 10** Use the fire pit cover with the Stainless Steel Smokeless Fire Pit when not using it and place it in a cool and dry place.

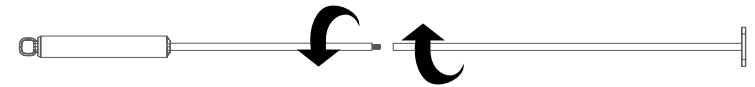


## FIRE HOOK USAGE TIPS

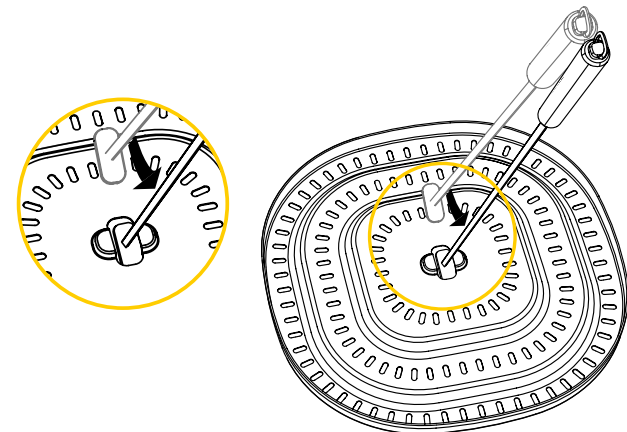


The head of the fire hook is intentionally designed as an arc-shaped plate, which does not affect its original purpose. Such a design can provide a stable connection structure while removing the sharp part of the head, ensuring a safer usage for users.

- 1** The fire hook needs to be assembled before its first use. Take out the front and rear parts of the fire hook from the packaging box and assemble them by rotating clockwise using the middle thread.

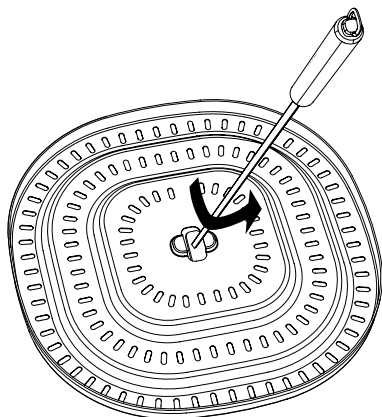


- 2** Tilt the fire hook at a 45-degree angle, gently align it with the hole of the fire ring, and carefully insert it into the hole.



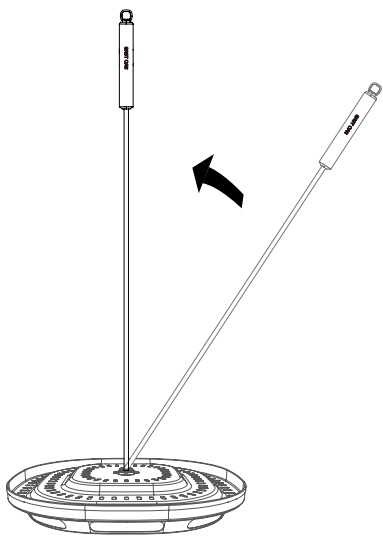
# 3

Rotate the fire hook by 90° and gently lift it up so that the upper edge of the fire hook's head touches the bottom of the positioning groove on the fire ring.



# 4

Hold the fire hook vertically to the ground, ensuring that the head of the fire hook perfectly fits into the positioning groove of the fire ring. This will allow you to successfully remove the fire ring.



# 5

To detach the fire hook from the fire ring, simply reverse the order of the aforementioned steps.



## TIPS & IGNITION GUIDANCE



### Tips:

When you use Smokeless Fire Pits for the first time, it takes 5-10 minutes for double-wall airflow to achieve full combustion. The effect will be better if you use dry and hard wood.

### Ignition Guidance:



**Step 1:** Pile up a hill with dry ignitors such as sticks and branches in the center of the burning plate, keeping them stay close as far as possible, and ignite kindling until the fuel is ignited.



**Step 2:** Start to add larger sticks. Don't add other combustibles except for wood, as well as wood particles, which may produce toxic gas or block the air hole of the burning plate.



**Step 3:** Create a hot bin by adding wood blocks or larger sticks.



**Step 4:** Fill the fire pit with fuel, with its height being no more than that of the air hole on the inwall.



## HOW TO KNOCK DOWN THE FLAME

- It is not suggested to damp down the burning fire with water or a fire extinguisher, otherwise it will produce strong and dangerous hot gas, and cause irreversible damage to the metal furnace body at the same time.
- It is the best choice to wait for the flame to blow out after stopping adding fuel.
- If you have to put out a fire immediately in an emergency, it is a good choice to cover it with sand. However, you need to clean the burning bin of the fire pit next time.



## HOW TO REMOVE ASH

The Stainless Steel Fire Pit's burner plate fitting is specially designed to be able to be taken out through the fire hook, so as to facilitate the ash removal. No one wants to hold a huge fire basin to clean the ash.

Steps:



1. Wait 24 hours for ash to cool down.



2. Remove the fire gathering ring.



3. Hook the ring in the middle of the combustion plate with a fire hook and pull out the combustion plate vertically.



4. Tilt the fire plate towards the ash bucket and pour the ash into the ash bucket. Or put the garbage bag around the burning plate and dump it, so that the ash will be in the garbage bag.



5. Put the burning plate back in the fire pit, install the fire ring, and store the fire pit for next use.



## STORAGE AND CARE

- When the fire pit is not in use, please move the fire pit to a dry place for storage, or use a special fire pit cover to keep the fire pit clean, so as to prolong its service life.
- If the fire pit turns yellow or stained after use, you can use a sponge to gently wipe it with universal stainless steel cleaning agent. Of course, if you like bronze or natural blueing patterns, you can also keep it.
- The fire pit will turn colors under high temperature, which is normal and will not affect its use.
- In case of being exposed to moisture for a long time, it will turn colors or get rusty.

### Stainless steel is your escort



#### The Benefits of Stainless Steel

The fire pits' body is made of stainless steel. The principle is to add chromium and nickel to iron, so as to form a thin, non reactive chromium rich oxide film on the surface to isolate oxygen in the air. Therefore, stainless steel has much stronger rust resistance than ordinary steel.



#### Protective layer after fire in the fire pit

When fire pit burns, due to the high temperature reaction between the stainless steel surface and the oxygen in the air, an extremely thin  $Fe_3O_4$  oxide film is produced. This film can also isolate the iron element and oxygen, greatly slowing down the rust of stainless steel. The color of the oxide film varies with temperature. It is yellow at 230-280 °C, blue at 300 °C, blue purple at 315-330 °C, and gray above 400 °C. This is why we can see a lot of colors from the surface after use. It's amazing.



#### Humidity is the greatest enemy

If we do not pay attention to the water problem, no protective layer can avoid rust. In a humid environment, the higher the temperature, the faster the corrosion rate. If the atmospheric humidity is high, water film or water droplet will appear on the metal surface. If the impurities in the air are dissolved in the water film, it will form electrolytes, which will aggravate corrosion.

In order to make the Stainless Steel Fire Pit serve you for a longer time, there are two guidelines for maintaining it:

1. Keep dry
2. Don't touch water



## FOR YOUR SAFETY

PLEASE READ AND UNDERSTAND ALL SAFETY RULES BEFORE ASSEMBLING AND USING THIS FIRE PIT. FAILURE TO FOLLOW THESE INSTRUCTIONS COULD RESULT IN A HAZARDOUS FIRE, CAUSING PROPERTY DAMAGE OR PHYSICAL INJURY.

### RULES FOR SAFE OPERATION

CAUTION: FOR OUTDOOR USE ONLY. DO NOT USE INDOORS.

- For adult use only - do not allow children to use the fire pit. Keep children and pets away from the fire pit while it is in use.
- Always use this fire pit on a hard, level, non-combustible surface.
- It is not recommended to use it directly on the wooden deck, it is ok to lay a fire pit mat to protect the floor.
- Do not use under a patio roof, low hanging branches, trellis or overhangs of any kind including covered porches.
- Do not use in thunderstorm conditions. Don't try to add wet wood to the bonfire, as it will affect the fire pit's performance.
- Do not leave fire unattended at any time.
- Care should be taken to make sure all combustible material is far enough away from the fire pit to not ignite.
- Always use in accordance with all applicable local and state fire codes.
- Exercise the same precautions as you would with any open fire.
- Do not wear flammable or loose clothing when tending an open fire.
- All surfaces of this fire pit are hot when in operation. To avoid burns and injury, do NOT touch this fire pit until the fire is out and has completely cooled.
- Assure fire is completely extinguished before leaving fire pit.
- Any modifications to this appliance may be dangerous and are not permitted.
- Do not attempt to move the fire pit once the fire is started.
- Do not place the fire pit in an area where it could be easily tripped over.

## WHAT'S IN THE PACKING BOX

- 1 x Fire Pit Body
- 1 x Fire Gathering Ring
- 1 x Burning Disc Kit
- 1 x Fire Hook
- 1 x User Manual
- 1 x Certificate Card
- 1 x Warranty Card

## TECHNICAL SPECIFICATIONS

**Material:** 304 stainless steel and 430 stainless steel

### 17" Smokeless Fire Pits

**Upper opening:** 15x15 inch

**Base size:** 16.85x16.85 inch

**Height:** 13.57 inch

**Weight:** 14.33 lbs.

### 21" Smokeless Fire Pits

**Upper opening:** 19x19 inch

**Base size:** 21.26x21.26 inch

**Height:** 14.95 inch

**Weight:** 19.48 lbs.

### 29" Smokeless Fire Pits

**Upper opening:** 27x27 inch

**Base size:** 29.53x29.53 inch

**Height:** 17.97 inch

**Weight:** 33.07 lbs.

## WARRANTY & SERVICE

### Guaranteed 3-Year Warranty

Thank you for choosing East Oak. This product is covered by our company warranty for up to 3 years from its original purchase date.

### Claim Warranty

To claim your product's warranty, register your new product on our website at [www.eastoak.com/warranty](http://www.eastoak.com/warranty).

## ⚠ WARNING

Cancer and Reproductive Harm

[www.P65Warnings.ca.gov](http://www.P65Warnings.ca.gov).



# EAST OAK

✉ [support@eastoak.com](mailto:support@eastoak.com)

🌐 [eastoak.com](http://eastoak.com)

☎ 1-833-EAST-OAK (USA)