

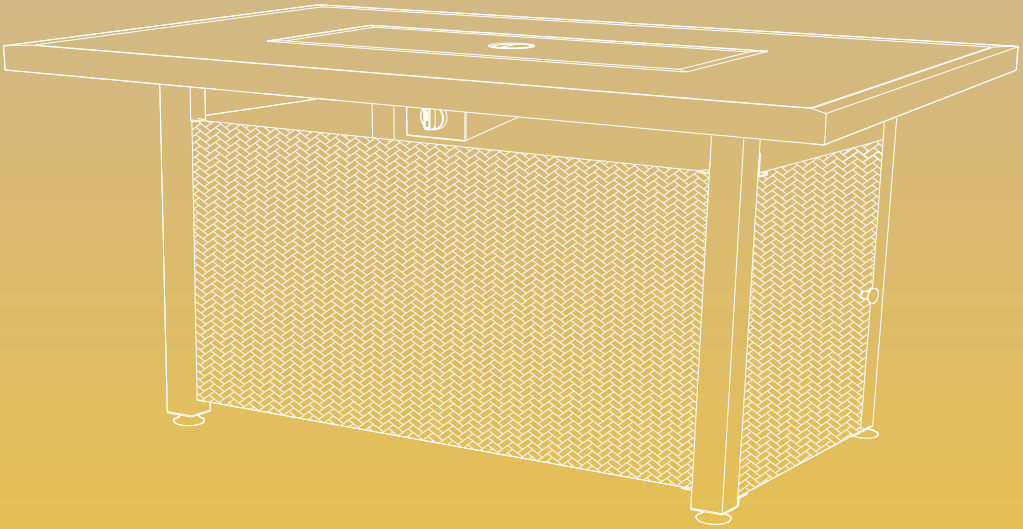
Fire Pit Table

60000 BTU

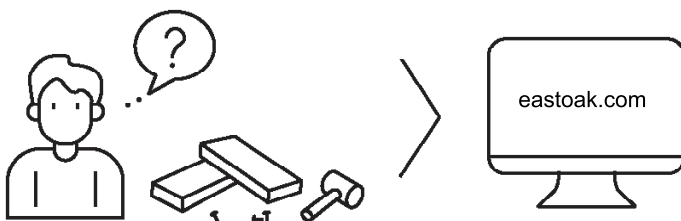
Owner's Manual

MODEL:

GFTP571 | GFTP572 | GFTP573



EAST OAK



Questions? Comments?
Reach out to us for expert support!

✉ support@eastoak.com

🌐 eastoak.com

☎ 1-833-EAST-OAK (USA)
(1-833-327-8625)

Follow **eastoakliving** on



Claim your 3-year warranty
at eastoak.com/warranty




IMPORTANT CAUTION

⚠ CAUTION: PLEASE READ ENTIRETY OF MANUAL PRIOR TO ASSEMBLY AND OPERATION.

Verify all parts and components are present. Check all pieces for any damage before assembly. If any parts are damaged or missing, contact customer service at support@eastoak.com.

- Some pieces contain sharp edges, Which may cause personal injury or property damage. To prevent injury or damage, please wear protective gloves during assembly.
- Set power tools set to the lowest speed possible to prevent any damage.



⚠ DANGER	CARBON MONOXIDE HAZARD
	<p>This appliance can produce carbon monoxide which has no odor.</p> <p>Using it in an enclosed space can kill you.</p> <p>Never use this appliance in an enclosed space such as a camper, tent, car or home.</p>

⚠ DANGER
FIRE OR EXPLOSION HAZARD
If you smell gas:

- Shut off gas supply to the appliance.
- Extinguish any open flame.
- If odor continues, leave the area immediately.
- After leaving the area, call your gas supplier or fire department.

Failure to follow these instructions could result in fire or explosion, which could cause property damage, personal injury, or death.

⚠ WARNING: For Outdoor Use Only.
Installation and service must be performed by a qualified installer, service agency, or the gas supplier.

INSTALLER: Leave this manual with the appliance.

CONSUMER: Retain this manual for future reference.

⚠ WARNING

- Do not store or use gasoline, or other flammable vapors and liquids, in the vicinity of this or any other appliance.
- An LP-cylinder not connected for use shall not be stored in the vicinity of this or any other appliance.

⚠ WARNING

- If the information in this manual is not followed exactly, a fire or explosion may result causing property damage, injury, or loss of life. **personal**
- Solid fuels shall not be burned in this appliance.
- Inspect the burner at intervals recommended by the manufacturer.
- The burner must be replaced prior to the appliance being put into operation if it is evident that the burner is damaged.
- The replacement burner shall be that specified by the manufacturer.

⚠ WARNING

- DO NOT place any object or add any combustion objects into the fire pit. This product is designed to safely combust propane only.
- DO NOT use this product if the gas supply / gas control system has been submerged underwater. Contact a qualified service technician to replace parts.
- The installation of this product and storage of propane gas must comply with local codes and regulations.

⚠ WARNING

- Improper installation, adjustment, alternation, service or maintenance can cause property damage, personal injury, or death. Read and follow the installation, operation and maintenance instruction thoroughly before installing or servicing this equipment.
- This is not a toy. Improper use may cause serious injury or death. Children and pets must be supervised at all time when using this product.
- DO NOT connect this product to a remote gas supply.

CONSUMER

Retain this manual for future reference.



SAFETY INFORMATION

Your safety and the safety of the others are very important.

This manual provides many important safety information. Always read and obey all safety message.

Keep this manual for future reference.

WARNING

You can be killed or seriously injured if you failed to comply to the instruction.

WARNING

- This product and fuels used to operate this product, and the product of combustion of such fuels, can expose you to chemicals including benzene, which is known to the State of California to cause cancer and reproductive harm.
For more information go to www.P65warning.ca.gov

CAUTION

- When using the lava/glass rocks in the fire pit for the first time, you may hear popping sound and lava/glass rocks may bounce in the fire pit for the first 30 minutes. Keep a safe distance from the fire pit until the rocks settle.

FURNITURE CARE AND MAINTENANCE

Thank you for your purchase. We want your item to last as long as possible. To ensure the product can be used for many years, please refer to this care and maintenance guide.

WARNING

- Before servicing or cleaning, ensure the heater has been cooled down.




MAINTENANCE


- Check gas line before each use. Inspect the entire gas line assembly for any sign of excessive abrasion, cuts, or wear.
- Leak test should be performed annually or every time after connecting to a propane gas tank for any suspected leak.



CLEANING (Exterior Surface)

- Clean the surface of the product with a damp cloth.

 DO NOT use flammable or corrosive cleaning agents.

 DO NOT submerge the product. If the gas control is submerged in water, DO NOT use and must be replaced.

CLEANING (Burner)

- Remove all rocks from the fire bowl and clean the burner with a small brush and compressed air.



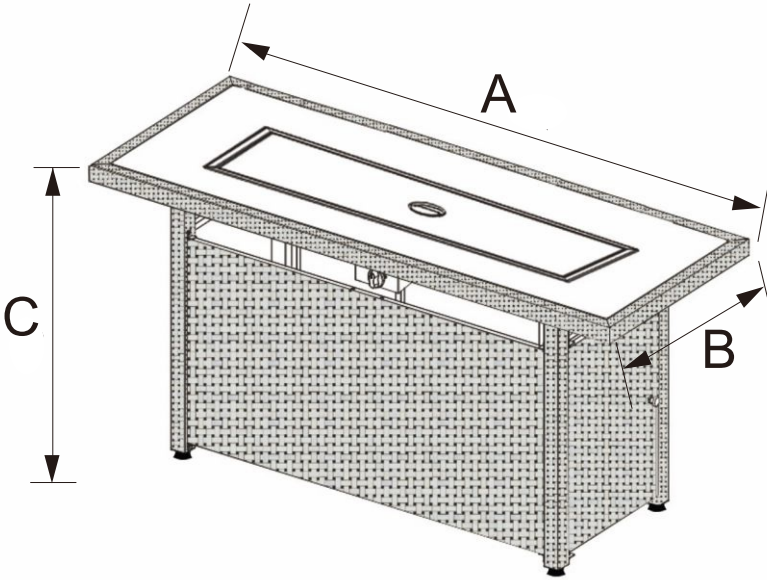
STORAGE

- Ensure the control knob and the propane gas tank valve are "OFF".
- Disconnect the propane gas tank. DO NOT leave propane gas tank in direct sunlight or excessive heat.
- Propane gas tank must be stored outdoor in a well ventilated area.
- Store the product upright in an area away from direct contact with inclement weather such as rain, sleet, hail, snow, dust, and debris.
- Ensure the gas line is store in an area where it is unlikely to be tripped over or subject to other accidental damage.
- The product shall store indoor only when the propane gas tank is disconnected from the product.

WARNING:

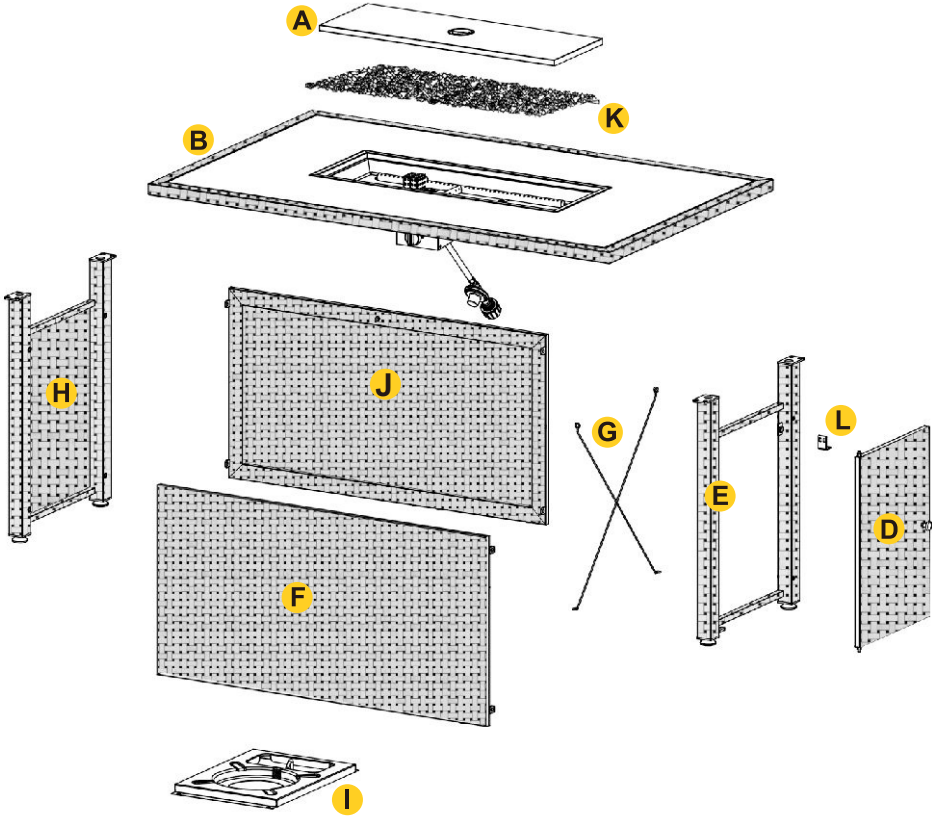
Manufacturer and seller expressly disclaim any and all liability for personal injury, property damage or losses, whether direct, indirect, or incidental, resulting from the incorrect attachment, improper use, inadequate maintenance, unapproved modification or neglect of this product.

TABLE DIMENSIONS

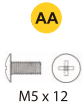


Ref.	GFTP571,GFTP572,GFTP573
A	57in.(145cm)
B	22.4in.(56.8cm)
C	25.6in.(65cm)

PARTS DIAGRAM



Note: Plate (F) and Plate (J) can be used universally



SCREW	AA	BB
SIZE	D×L=M5×12mm	D×L=M6×16mm
QUANTITY	2 Pieces	24 Pieces
SPARE PARTS	1 Piece	1 Piece

1

ASSEMBLY INSTRUCTIONS

This product requires 2 people to assemble.

Before assembly, please read the entirety of this manual to ensure safety and proper usage. Keep in mind there are a variety of steps.

Place all parts and hardware on a flat surface. Inspect each piece and ensure there are no damage or missing pieces. Please do not destroy or discard any packaging until there is confirmation that all needed parts are included for assembly.

⚠ Caution: Small components are used in the assembly of this appliance and may present as a choking hazard. Please keep small children and pets away during assembly to prevent any injury or death.

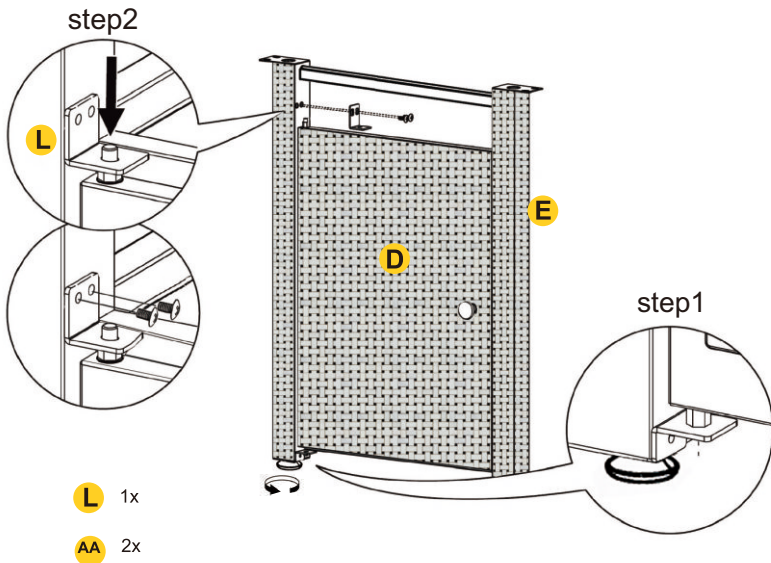
Plastic bags and packaging film may present as a choking or suffocation hazard. Please keep small children and pets away during assembly to prevent any injury or death.

Install bracket (L) to panel (D,E) using 2 screws (AA).

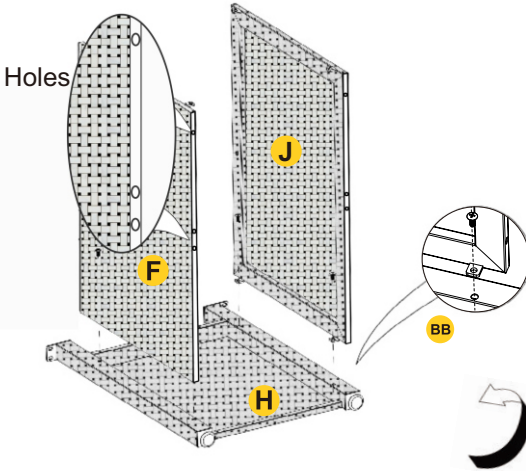
Step1: Insert panel(D) into the bracket at the bottom of panel(E)

Step2: After passing the bracket(L) through the bolts of the panel(D), fasten bracket(L) to panel(E) with two screws(AA)

Note: the hole in the frame(D) is facing inside,
and the door handle is facing outside



2 Assemble the panels (F,J,H) as shown below and secure them together using 4 screws (BB).

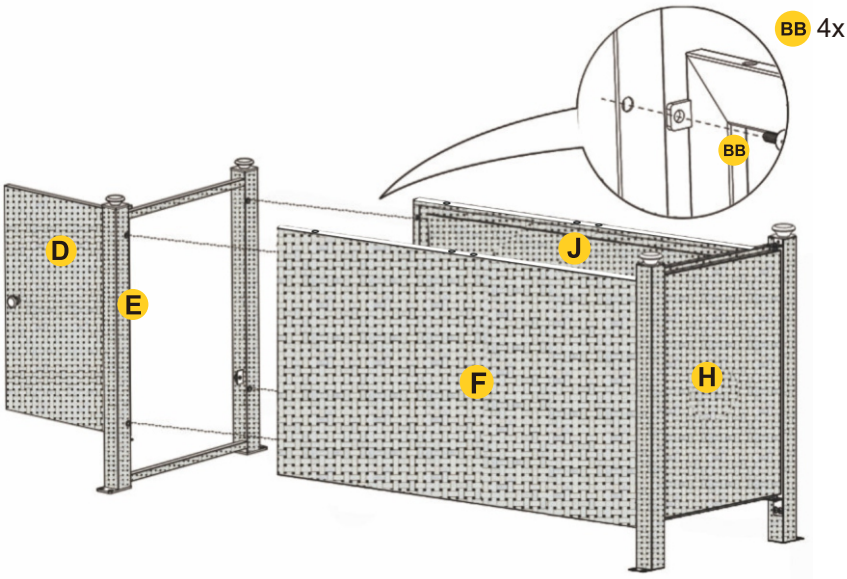


BB 4x

Do not lock all the screws at first, and lock them after all the mounting holes are aligned.

Rotate 90° when finished

3 Assemble the panels (E) as shown below and secure them together using 4 screws (BB).

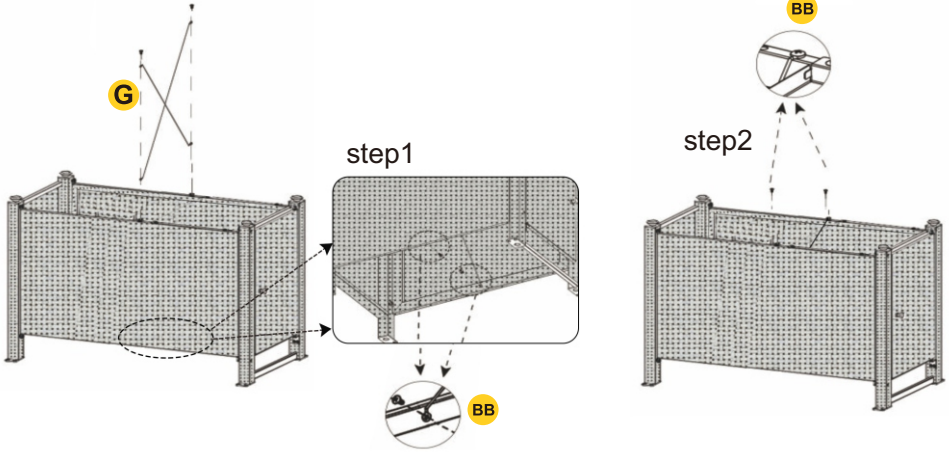


BB 4x

4

Secure the centerpiece with 4 screws (BB x4).
Secure the bottom two screws first,
then align the top two screws.

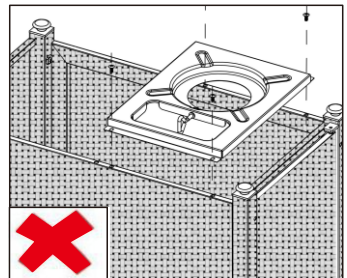
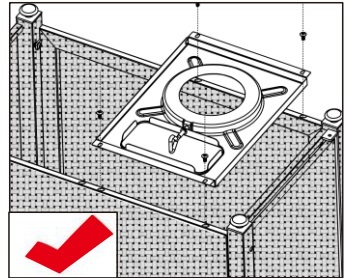
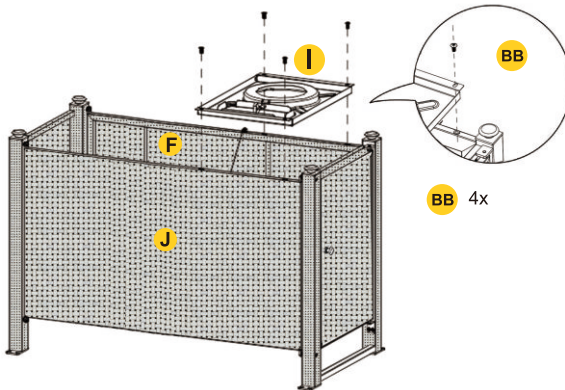
BB 4x



5

Place the burner unit on top of the unit.
Fasten screws (BB x 4, I) tightly.

Note: The gas tank tray must be installed in the nearest position to the door.

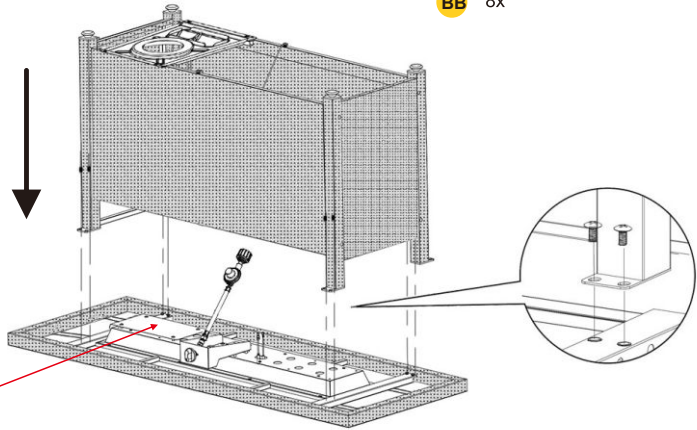


6

BB 8x

The direction of the front door faces the direction of the heat shield

heat shield



Do not lock all the screws at first, and lock them after all the mounting holes are aligned.

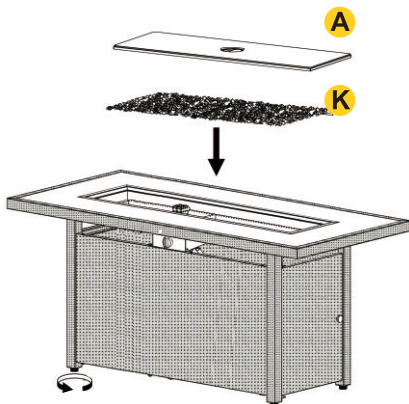
When the stove table is installed, turn it over and place the table.

7

Place lava or glass rocks into the burner.

⚠ ATTENTION:

- Do not put more than 4 lbs of lava rocks or 9 lbs of glass rocks into the burner.
- Do not touch or arrange the glass rocks once the product is in use. If arrangement is needed, allow the glass rocks to cool down completely before doing so.
- Do not mix different types of rocks together.
- Do not put the table lid on the fire pit when in use. Ensure the fire pit has cooled before placing the table lid over the fire pit.



Use the four adjustable leveling feet to adjust the tabletop flatness. Clockwise for lower level, counterclockwise for higher level.

ASSEMBLY INSTRUCTION (LPG cylinder)

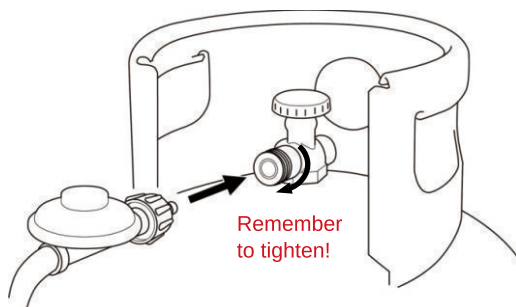
LIQUEFIED PETROLEUM GAS (LPG) SAFETY INFORMATION

LPG cylinder used with the product must be:

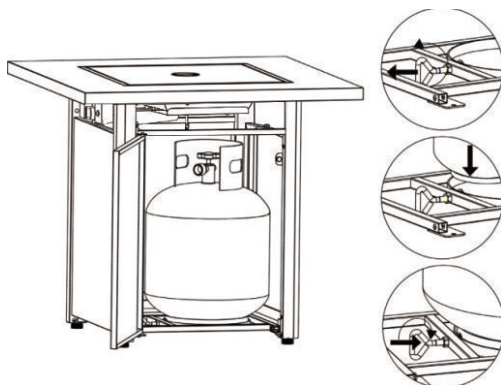
- Constructed and marked in accordance with the U.S. Department of Transportation (DOT) specification for LPG cylinder, CAN/CSAB339, Cylinders, Spheres, and Tubes for the Transportation of Dangerous Goods, as applicable;
- Arranged for vapor withdrawal.
- Provided with a tank collar to protect the tank valve.
- Provided with a listed overfilling prevention device and a QCC I or Type I (CGA810) LPG cylinder connection.
- Max. capacity: 20lbs.
- Max. gas supply pressure: 250 PSI (1750 KPa)
- Min. gas supply for input adjustment: 25 PSI (175 KPa)
- Manifold pressure with regulator provided: 11in wc (2.74 KPa)
- Not stored in area with temperature over 125°F/51.7°C
- The replacement hose assembly shall be that specified by the manufacturer.

ASSEMBLY INSTRUCTION (LPG cylinder)

LPG cylinder connection



- Inspect the entirety of the gasket for any sign of damage or erosion. Position the LPG cylinder in the firepit and secure the unit using the retainer bolt.
- **⚠ ATTENTION:** Ensure the valve on the fire pit and LPG cylinder are set to the “OFF” position.
- Remove any protective caps on the LPG cylinder. Align the gas lines to the LPG cylinder nozzle. Fasten the connection with a coupler .
- **NOTE:** Be mindful of cross threading. To avoid this, do not overtighten screws and connections. The gas line should be tight enough without any signs of wiggling or gaps between connections.
- Inspect the gas line and perform a leak test prior to each use (see page 17).



LIGHTING INSTRUCTION

- Ensure the fire pit control knob is set to the “OFF” position.
- Turn on the gas cylinder valve by pressing the knob and turning it counterclockwise to the “IGNITOR” position. This is indicated by a lighting symbol. Repeat this step 2-3 times as needed until burner ignites.
- Once the burner sparks, hold the control knob at the “LOW” position for 20 seconds. The low setting is indicated by “I”. Then, release the knob and turn it counterclockwise to “HIGH” or “II”. Adjust the flame to your desired level.

NOTE: If the ignitor does not spark or a flame can not hold:

- Ignite the burner with a long lighter or match. Heat-resistant gloves is highly advised to prevent any damage or injury.
- Press and turn the control knob to the “LOW” or “I” position. Hold for 20 seconds.
- Adjust the flame to your desired level.
- Keep in mind there may be a default shutdown time of 5 minutes before the burner can be re-ignited.

WARNING

- Children and pets must be supervised when near this product.
- Keep clothing or any flammable material away from the vicinity of this product to prevent burns or clothing ignition.

OPERATION INSTRUCTION

(Turning Off)

Turning OFF

- To shut down the unit, turn the control knob clockwise to the “OFF” position.
- Turn off the gas cylinder and disconnect the regulator when appliance is not in use.
- Allow adequate time for the heater to cool down completely before transporting it.

WARNING

- Ensure both the LPG cylinder valve and the control knob on the appliance are completely off to prevent possible gas leak.

ASSEMBLY INSTRUCTION

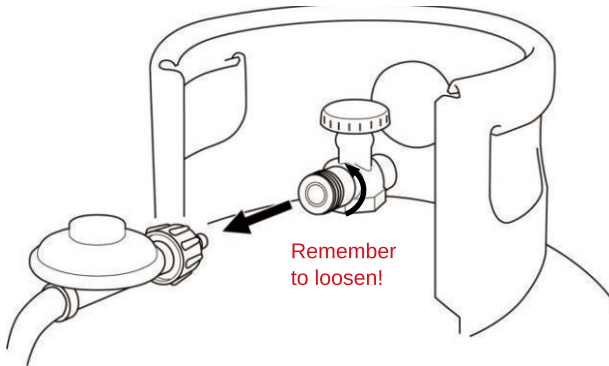
(LPG cylinder)

LPG cylinder disconnection

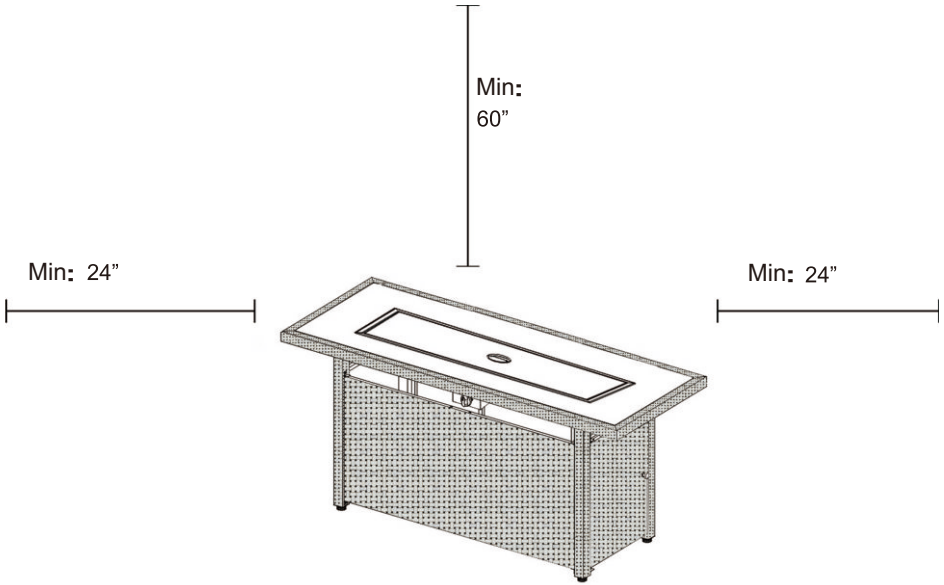
- Allow unit to completely cool down after use. Then, ensure LPG cylinder valve is shut and cooled down. Control knob on unit must be in the "OFF" position.
- Next, turn the coupling nut counterclockwise until the regulator detaches.
- Place the protective cap on the LPG cylinder valve and store the cylinder in outdoors in a well-ventilated area away from sunlight or excessive heat.

WARNING

- LPG cylinder must be properly disconnected and removed prior to moving the fire pit.
- DO NOT attempt to disconnect the gas regulator from the LPG cylinder while the appliance is in use or when the appliance is still hot.



ASSEMBLY INSTRUCTION (Installation Location)



Keep the unit away and clear from any combustible materials as illustration

WARNING

- This appliance should only be used in a well-ventilated outdoor area.
- DO NOT use this appliance in an enclosed area such as building, tent, car, or home.

When an appliance is for connection to a fixed piping system, the installation must conform with local codes, or in the absence of local codes with the National Fuel Gas Code, ANSI Z223.1 • NFPA 54; National Fuel Gas Code; Natural Gas and Propane Installation Code, CSA B149.1; or Propane Storage and Handling Code, CSA B149.2, as applicable;

OPERATION INSTRUCTION

(Leak Check)

WARNING

- All leak test should be performed outdoors.
- Extinguish all open flames before testing.
- DO NOT smoke when performing leak test.
- DO NOT use the product until all connections have been tested and do not leak.
- Leak test should be performed once a year or after LPG cylinder or any gas system parts replaced, whichever comes first.

1. Mix half part liquid detergent and half part water to make leak check solution.
2. Apply leak check solution on every gas system joints and connections.
3. Turn ON the LPG cylinder valve to check any possible leak.

If bubbles appear at any connection, there is a leak.

1. Turn LPG cylinder valve OFF.
2. If there is a leak, disconnect the connection and reconnect, then perform another leak test. If bubbles continue to appear after several attempts, you should replace the hose or cylinder valve.

If NO bubbles appear, the connection is secure.

DO NOT use the appliance if there is a leak.

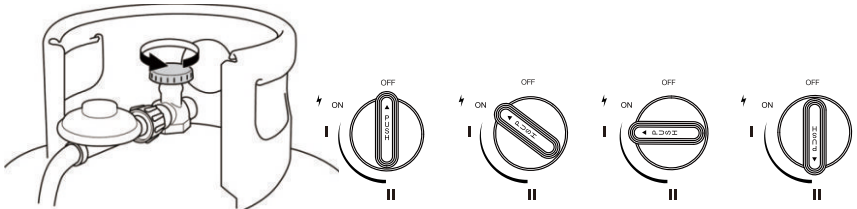
- Contact a qualified service technician if attempts to stop the leak(s) are unsuccessful
- Until leak problem is corrected, LPG supply must be shut off at the cylinder valve or the LPG cylinder must be disconnected and removed from the appliance.
- Inspect gas hose before use. Hose assembly must be replaced if there is evidence of excessive abrasion, wear, or damage.

OPERATION INSTRUCTION

(Ignition)

Before operating the appliance:

- Ensure the gas line is properly connected and there is no holes or damage to the hose.
- Ensure there are no leaks (see page 17 for how to check for leaks).
- Ensure the LPG cylinder valve and all control knobs are switched to the “OFF” position.



WARRANTY AND SERVICE

GUARANTEED 3-YEAR WARRANTY

Thank you for choosing East Oak. This product is covered by our company warranty for up to 3 years from its original purchase date.

CLAIM WARRANTY

If you'd like to claim your product's warranty, register your new product on our website at www.eastoak.com/warranty .

TROUBLESHOOTING

Problem	Possible Cause	Solution
Burner will not light	LPG cylinder valve is closed	Ensure the regulator is attached to the cylinder valve. Open the valve.
	Coupling nut not fully connected	Manually tighten the coupling nut to the cylinder valve.
	Low or empty LPG cylinder	Refill or replace the LPG cylinder
	Electrode and burner are wet	Dry the appliance
	Failed igniter	Possible part replacement required
	Broken electrode or spark	Possible part replacement required
	Carbon deposit accumulated on the burner port or thermocouple	Clean the burner and thermocouple
		Possible part replacement required
	Obstruction of gas flow	Ensure the hose is not bent, tangled, or damaged.
Disconnection between the burner and LPG cylinder	Ensure no connections are broken.	
Propane Gas Leak	Coupling nut improper connection	Manually tighten all connections.
	Gas line worn out	Gas line must be replaced
Sudden drop in flow or reduced flame height	Gas flow regulator is triggered	Turn off the appliance and reignite See p.17 for ignition instruction
Flame is yellow or orange or Irregular flame pattern or Fire in venturi or burner	New burner may have residual manufacturing oils	Allow the fire pit to operate for at least 15 minutes. Inspect after minutes.
	Spiderwebs or insect nest in burner	Clean burner
	Burner ports clogged or blocked	Clean burner port
	Gas flow obstruction	Ensure gas line is not bent and burner is not clogged with debris
	Poor alignment of opening to burner	Ensure the burner is properly engaged with opening

Problem	Possible Cause	Solution
Flame goes out	Highwind/g using wind	DO NOT use the appliance in high winds
	Low LPG level	Exchange, refill or replace LPG cylinder
	Carbon deposit accumulated on the burner port or thermocouple	Clean the burner and thermocouple
Flame seems to lose heat in cold weather	Ice has built upon the surface of the LPG cylinder	Wait until the LPG cylinder warms up and defrosts
		DO NOT use this appliance when outdoor temperature is below 40°F(-40°C) or LPG cylinder is less than 1/ 4 full
		Replace LPG cylinder

EAST OAK

✉ support@eastoak.com

🌐 eastoak.com

☎ 1-833-EAST-OAK (USA)