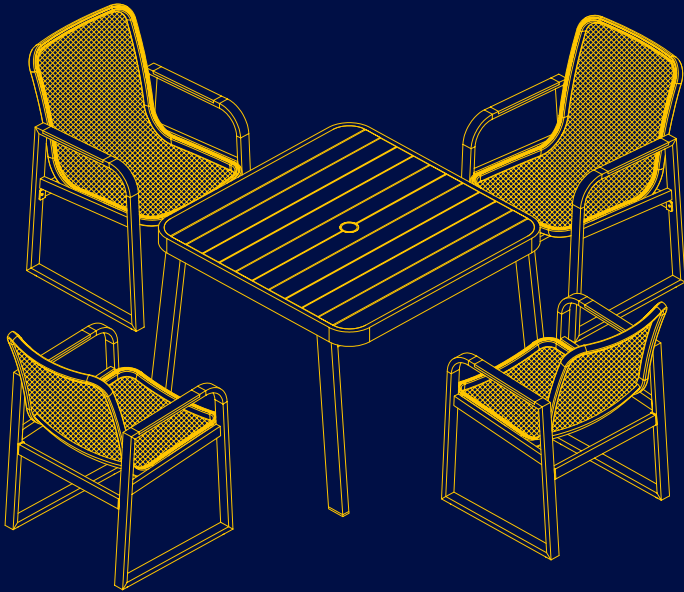


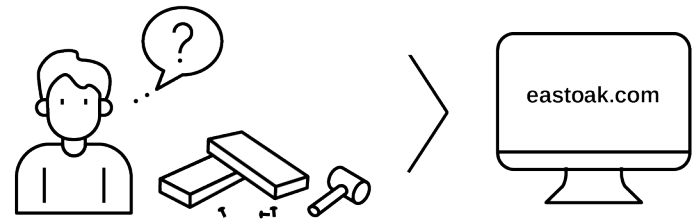
5-Piece Patio Dining Set Owner's Manual

MODEL:
PDS23001



EAST OAK

Signature



**Questions? Comments?
Reach out to us for expert support!**

✉ support@eastoak.com

🌐 eastoak.com

☎ 1-833-EAST-OAK (USA)
(1-833-327-8625)

Follow [eastoakliving](#) on



Claim your 3-year warranty

at eastoak.com/warranty



**Please scan the QR code
to view the installation video**



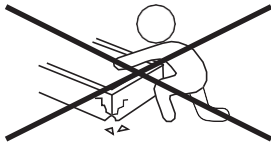
IMPORTANT CAUTION

Please check all parts and components to ensure that there are no damages or missing items before starting the construction of the product. If you have any problems or discover any missing parts, please contact customer service at support@eastoak.com.

- Some parts may contain sharp edges. Wear protective gloves if necessary during assembly.
- When using power tools, please adjust the gear to the minimum, otherwise it will cause damage to the parts.

SAFETY GUIDE

- For your safety and to reduce the risk of severe personal injury, the user must read and understand this Safety Guide.
- Assemble each piece only following the instructions improper assembly and/or use of tools or hardware not included in the original packing may lead to improper assembly and/or risk of severe personal injury.
- Please assemble the furniture on a flat level surface with a pad/blanket to prevent damage.



NOTICE

- Tighten all bolts and screws again within the first two weeks of assembly.
- Check the tightness of all bolts every two months, tighten them if necessary.

CARE & CLEANING

- For best results, clean the frame with a damp cloth and dry thoroughly. This will help prevent mildew by removing dirt particles that may accumulate.
- Do not clean with abrasive materials, bleach, or solvents.
- Store the set in a dry, sheltered place when not in use.

- Keep the set out of the fire, extreme heat, freezing conditions, and inclement weather such as rain, hail, snow, or wind.
- PLEASE NOTE that the metal paint may come off due to weather conditions.
- Cleaning teak patio furniture is relatively simple, and most routines only require a mild detergent and water mix along with a bristled brush to keep your items looking great. Avoid using a hard brush to clean your teak furniture. Do not use any abrasive sponges, steel brushes, wonder sponges or abrasive cleaners. They will damage the natural, soft grain, which quickly makes the wood feel rough. Moreover, it will also get dirty faster.
- Teak wood need to be maintained in order to keep the same color. Without maintenance, teak wood color will become silver grey. In order to prevent this greying process, it is necessary to brush the wood and apply a layer of oil or special care product regularly.



READ & SAVE BELOW INSTRUCTIONS BEFORE ASSEMBLY

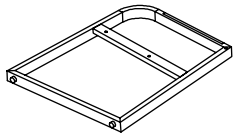
1. Please separate and identify all parts, making sure that you have all of the parts listed.
2. To avoid any scratches during assembly, please assemble on a soft mat or similar.
3. Please assemble step by step and follow the instructions.
4. Washers must be used.
5. While each screw and nut is properly fastened, do not over fasten it.
6. Do not completely fasten each screw and nut until all the screws are properly fixed.

ASSEMBLY SUGGESTIONS

- At least two people

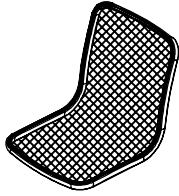


PARTS LIST



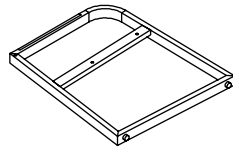
Right Arm

A (4PCS)



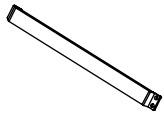
Seat

B (4PCS)



Left Arm

C (4PCS)



Support Rod

D (4PCS)

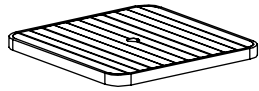


Table Top

E (1PC)

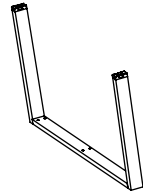


Table Leg

F (2PC)



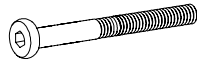
M6*40 Screw

G (24PCS)+Spare(x1)



M6*18 Screw

H (16PCS)+Spare(x1)



M6*45 Screw

J (12PCS)+Spare(x1)



Plastic Cap

K (24PCS)
+Spare(x1)



Spring Washer

N (36PCS)
+Spare(x1)



Flat Washer

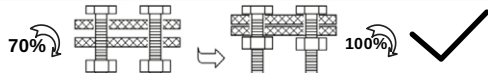
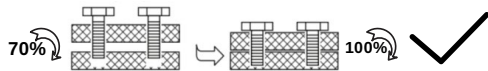
M (36PCS)
+Spare(x1)



Hex Wrench

O (1PCS)

Install all the relevant screws, but do not tighten them completely at the very beginning. Tighten the screws fully one by one.



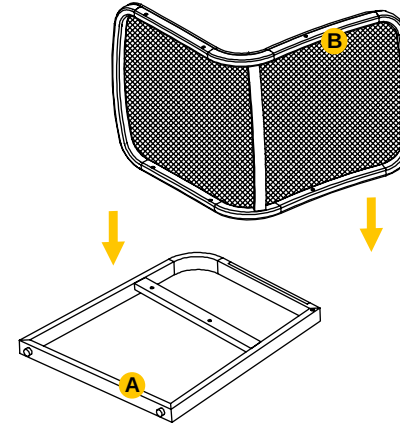
Don't tighten up the screw before you start next mounting during the installation.



PRODUCT ASSEMBLY - CHAIR

1 Align the hole position

Align the hole position of the seat with the hole position of the right arm and stick them tightly.



2 Install screws

Fix the seat and right arm with screws, but don't completely tighten them.



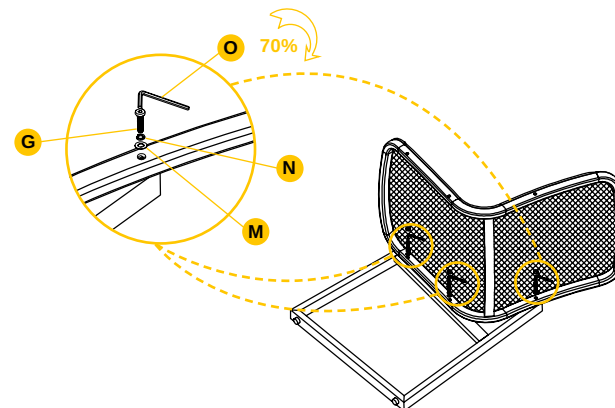
G (3PCS)



N (3PCS)

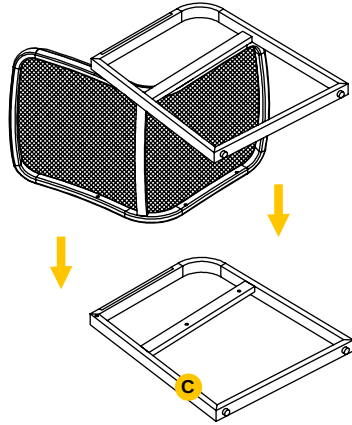


M (3PCS)



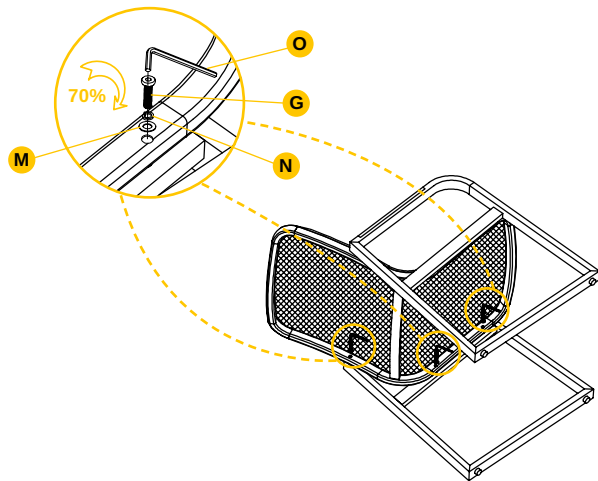
3 Align the hole position

Align the hole position of the back with the hole position of the left arm and stick them tightly.



4 Install screws

Fix the seat and the left arm with screws.



G (3PCS)



N (3PCS)



M (3PCS)

5 Place the support rod and install screws

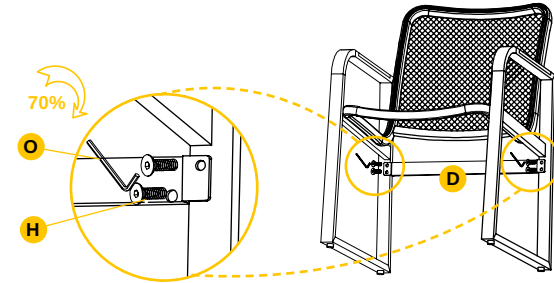
Fix the support rod and the arm tube with screws.



H (4PCS)

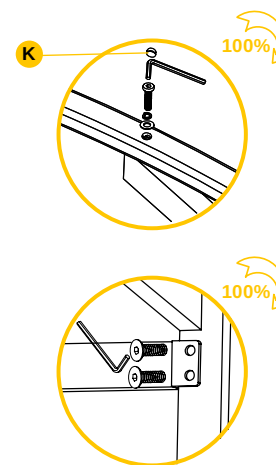


D (1PC)



6 Tighten screws

Tighten all the screws.

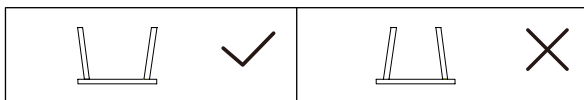
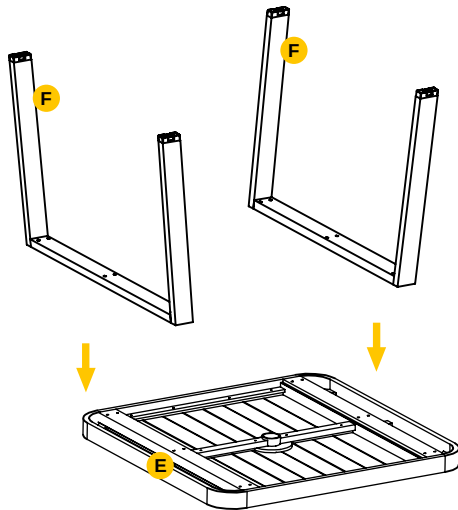


K (6PCS)

PRODUCT ASSEMBLY - TABLE

1 Align the hole position

Align the hole position of the table leg with the hole position of the table top and stick them tightly.

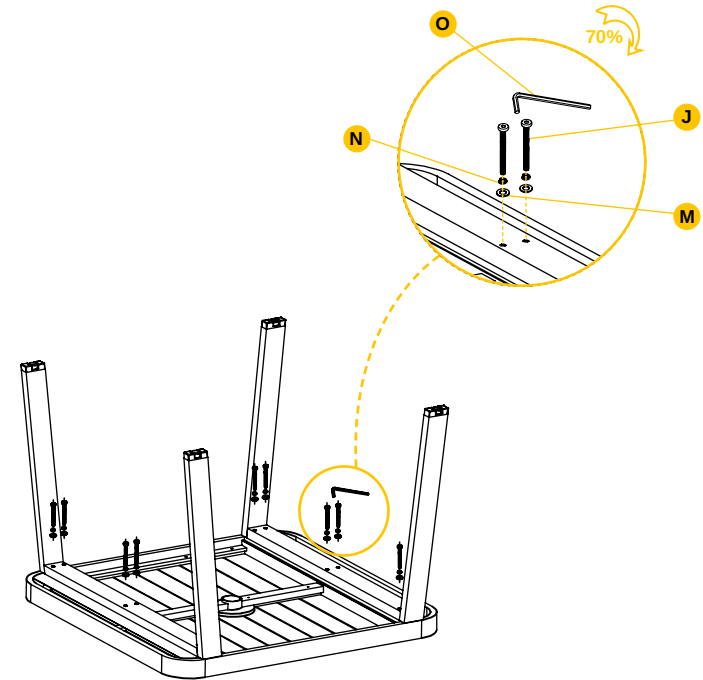


2 Install screws



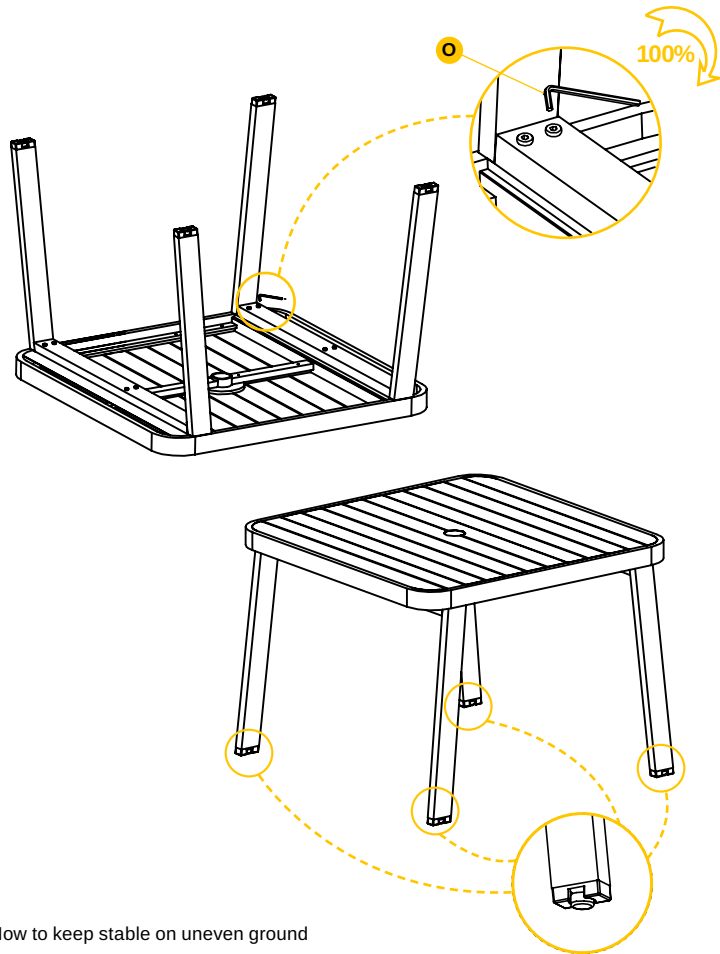
J (12PCS) **M** (12PCS)

Fix the table leg and the table top with screws.

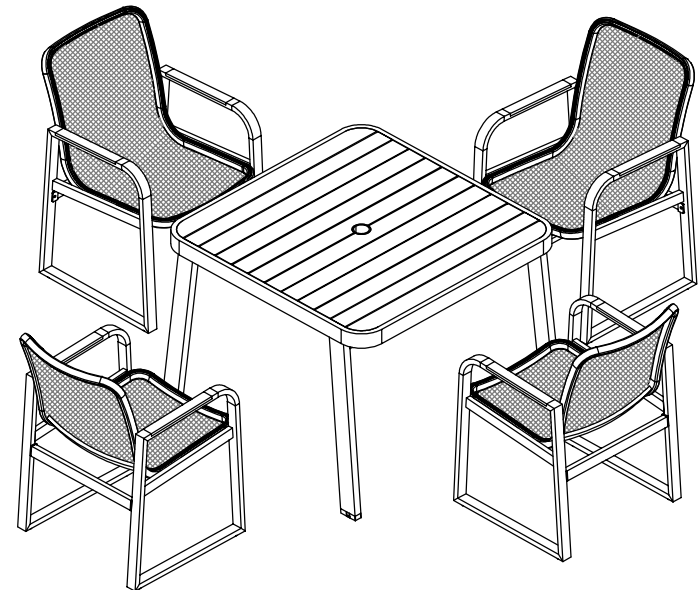
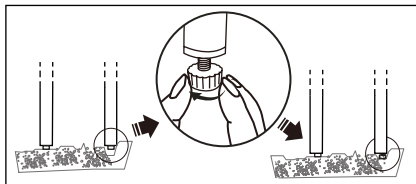


3 Tighten screws

Tighten all the screws.



How to keep stable on uneven ground



FEATURES

- A pair of wide armchairs helps provide a comfortable experience.
- Featuring sturdy aluminium frame with powder coated. This conversation set can withstand rain and wind.
- The table's warm teak top balances out its bolder powder coated aluminium frame, which gives the dining set a unique texture and well-balanced look.
- All screws are 304 stainless steel screws, preventing rust from the details and prolonging the service life.

WHAT'S IN THE BOX

- 1 x Dining Table
- 4 x Dining Chair
- 1 x Accessory Kit
- 1 x Owner's Manual

TECHNICAL SPECS

- Construction Materials: Aluminium Frame
- Weight Capacity:
 - Chair: 400 lbs.
- Assembly Time: 30-40 minutes
- Product Size:
 - Chair: 22.8 x 26.3 x 35 inches
 - Table: 39.3 x 39.3 x 29.5 inches

WARRANTY POLICY

GUARANTEED 3-YEAR WARRANTY

Thank you for choosing East Oak. This product is covered by our company warranty for up to 3 years from its original purchase date.

CLAIM WARRANTY

If you'd like to claim your product's warranty, register your new product on our website at www.eastoak.com/warranty.

▲ CALIFORNIA PROP 65 WARNING

This product may contain Polycyclic aromatic hydrocarbons (PAHs) which is known to the state of California to cause cancer birth defects and other reproductive harm. Do not ingest.

For more information go to: www.P65Warnings.ca.gov.

5-Piece Patio Dining Set



EAST OAK

✉ support@eastoak.com

🌐 eastoak.com

☎ 1-833-EAST-OAK (USA)