

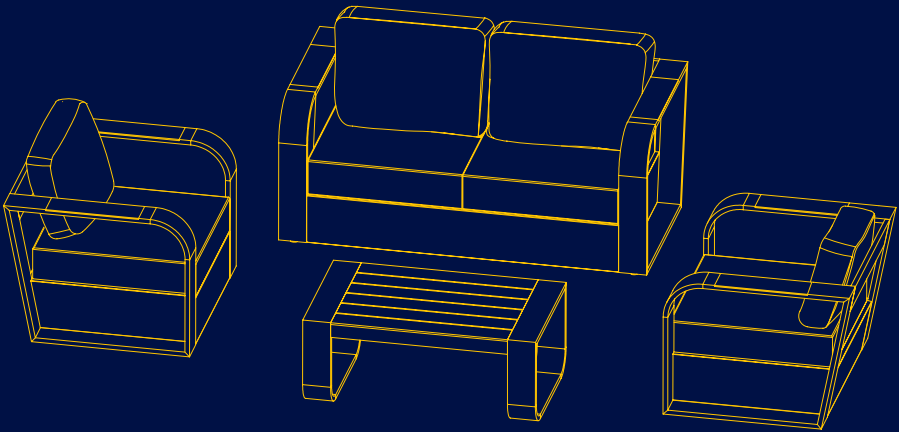
4-Piece Patio Conversation Set Owner's Manual

MODEL:

PCS23004

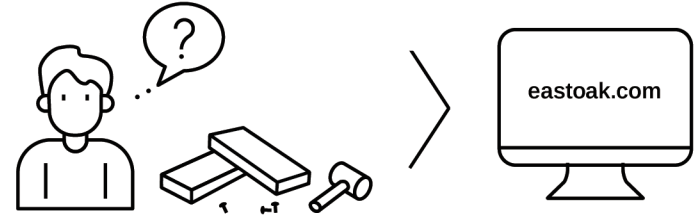
PCS23005

PCS23006



EAST OAK

Signature



**Questions? Comments?
Reach out to us for expert support!**

✉ support@eastoak.com
🌐 eastoak.com
☎ 1-833-EAST-OAK (USA)
(1-833-327-8625)

Follow [eastoakliving](#) on



Claim your 3-year warranty
at eastoak.com/warranty

**Please scan the QR code
to view the installation video**



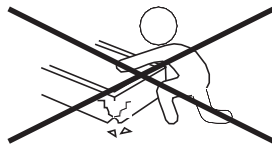
IMPORTANT CAUTION

Please check all parts and components to ensure that there are no damages or missing items before starting the construction of the product. If you have any problems or discover any missing parts, please contact customer service at support@eastoak.com.

- Some parts may contain sharp edges. Wear protective gloves if necessary during assembly.
- When using power tools, please adjust the gear to the minimum, otherwise it will cause damage to the parts.

SAFETY GUIDE

- For your safety and to reduce the risk of severe personal injury, the user must read and understand this Safety Guide.
- Assemble each piece only following the instructions improper assembly and/or use of tools or hardware not included in the original packing may lead to improper assembly and/or risk of severe personal injury.
- Please assemble the furniture on a flat level surface with a pad/blanket to prevent damage.



NOTICE

- Tighten all bolts and screws again within the first two weeks of assembly.
- Check the tightness of all bolts every two months, tighten them if necessary.

CARE & CLEANING

- For best results, clean the frame and cushions with a damp cloth and dry thoroughly. This will help prevent mildew by removing dirt particles that may accumulate.
- Do not clean with abrasive materials, bleach, or solvents.
- Store the set in a dry, sheltered place when not in use.

- Keep the set out of the fire, extreme heat, freezing conditions, and inclement weather such as rain, hail, snow, or wind. PLEASE NOTE that the metal paint may come off due to weather conditions.
- PLEASE REMOVE the sponge from the cushion before washing.
- Stains on the fabric can be cleaned with 37°C low-temperature water, with neutral liquid soap, and brush gently. After washing the stains, just dry naturally, do not twist, so as to avoid fabric deformation, and do not use high temperature ironing, so as to avoid high temperature discoloration.
- Cleaning teak patio furniture is relatively simple, and most routines only require a mild detergent and water mix along with a bristled brush to keep your items looking great. Avoid using a hard brush to clean your teak furniture. Do not use any abrasive sponges, steel brushes, wonder sponges or abrasive cleaners. They will damage the natural, soft grain, which quickly makes the wood feel rough. Moreover, it will also get dirty faster.
- Teak wood need to be maintained in order to keep the same color. Without maintenance, teak wood color will become silver grey. In order to prevent this greying process, it is necessary to brush the wood and apply a layer of oil or special care product regularly.



READ & SAVE BELOW INSTRUCTIONS BEFORE ASSEMBLY

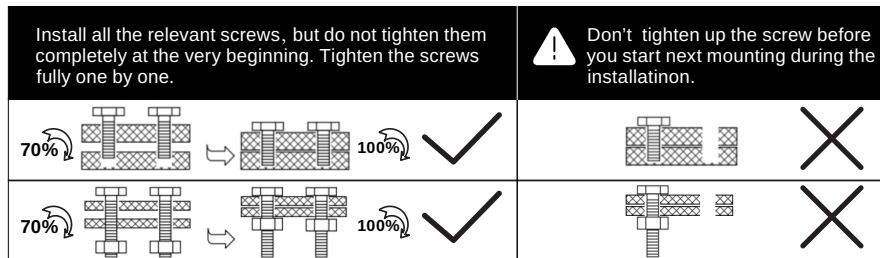
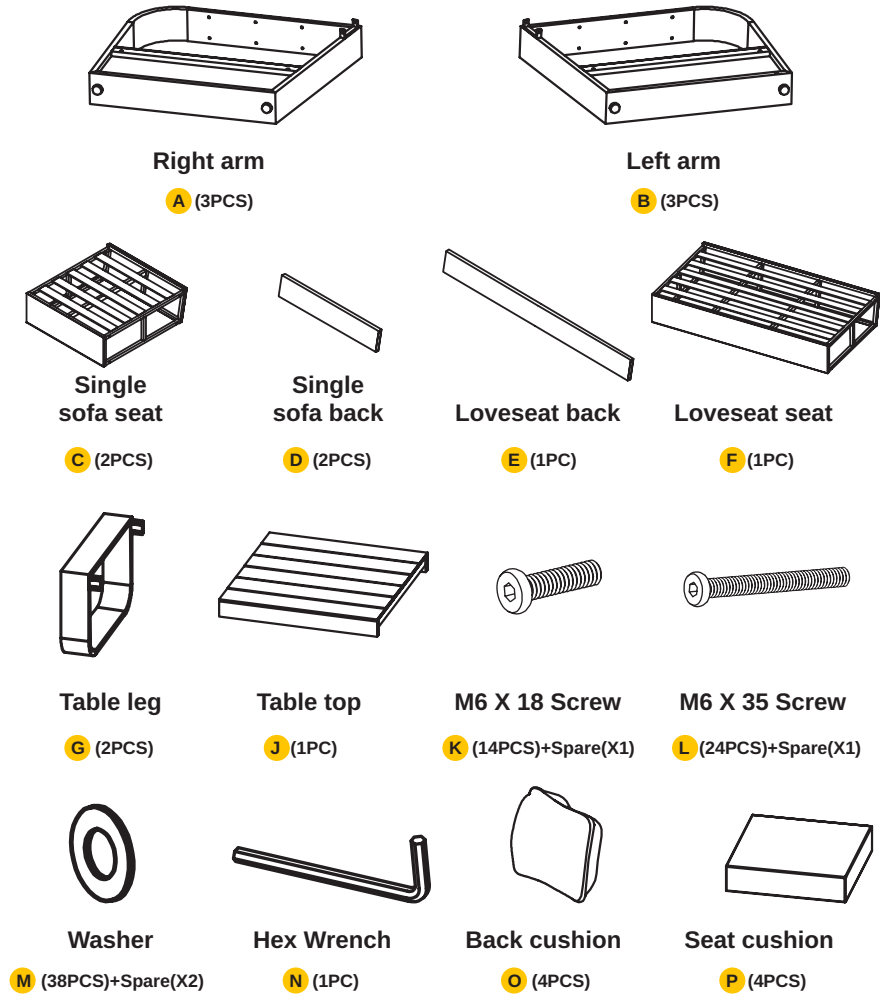
1. Please separate and identify all parts, making sure that you have all of the parts listed.
2. To avoid any scratches during assembly, please assemble on a soft mat or similar.
3. Please assemble step by step and follow the instructions.
4. Washers must be used.
5. While each screw and nut is properly fastened, do not over fasten it.
6. Do not completely fasten each screw and nut until all the screws are properly

ASSEMBLY SUGGESTIONS

- At least two people



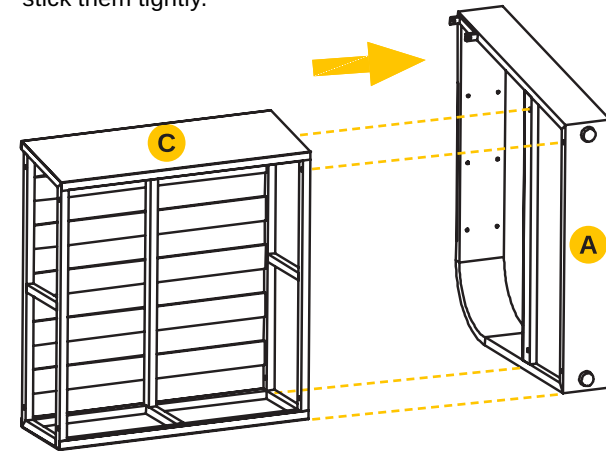
PARTS LIST



PRODUCT ASSEMBLY - SINGLE SOFA

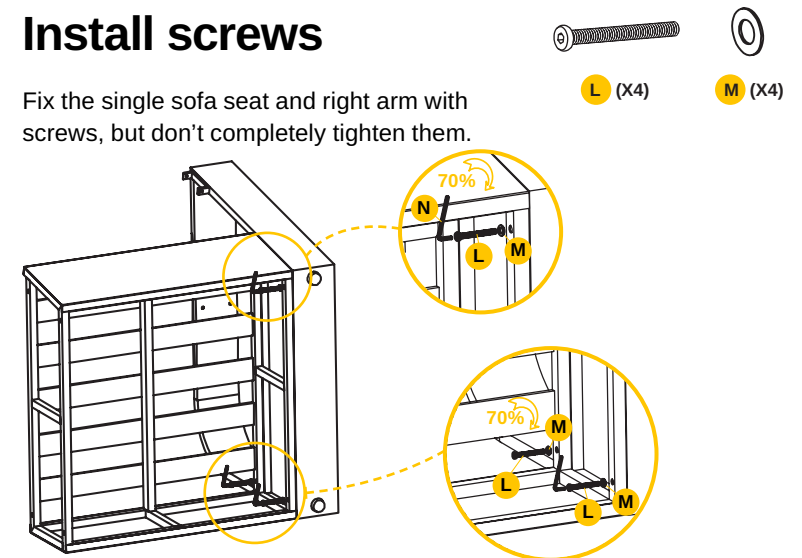
1 Align the hole position

Align the hole position of the single sofa seat with the hole position of the right arm and stick them tightly.



2 Install screws

Fix the single sofa seat and right arm with screws, but don't completely tighten them.



3 Fix the back on one side

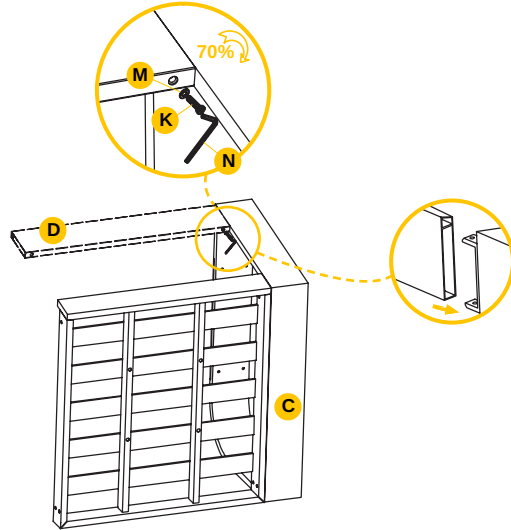
After aligning the back with the right arm, fix them with screws.



K (X1)

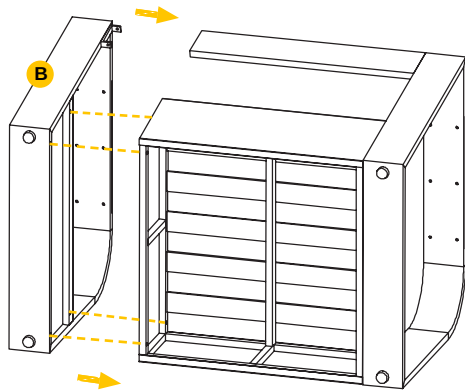


M (X1)



4 Align the hole position

Align the back with the left arm, and at the same time align the hole position of the single sofa seat with hole position of the left arm and stick them tightly.



5 Install screws

Fix with screws.



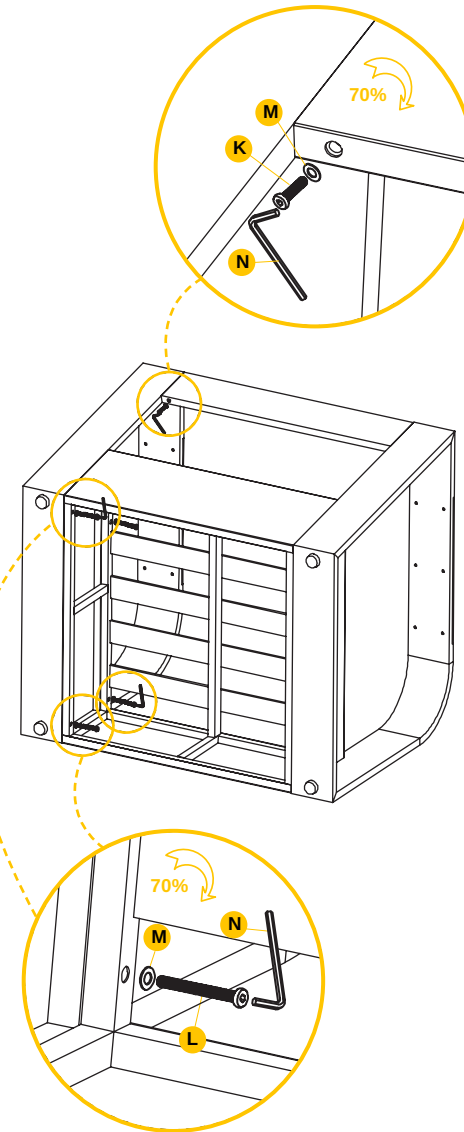
K (X1)



L (X4)

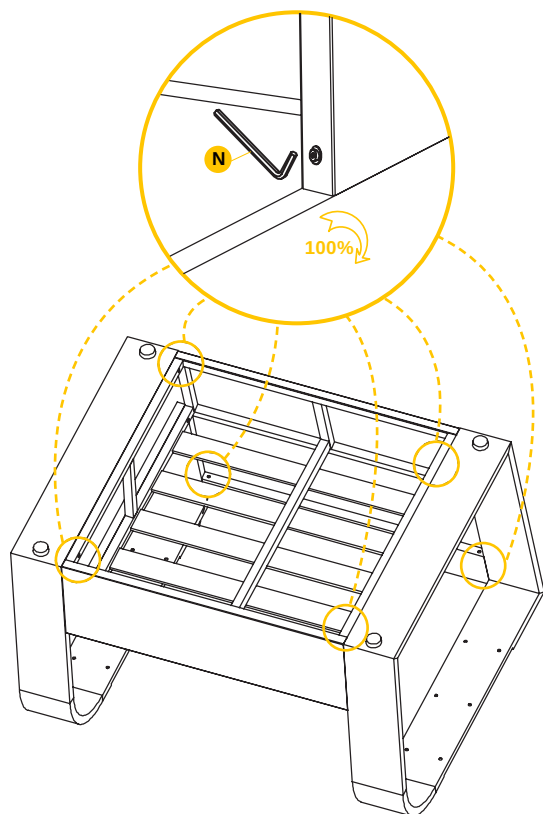


M (X5)



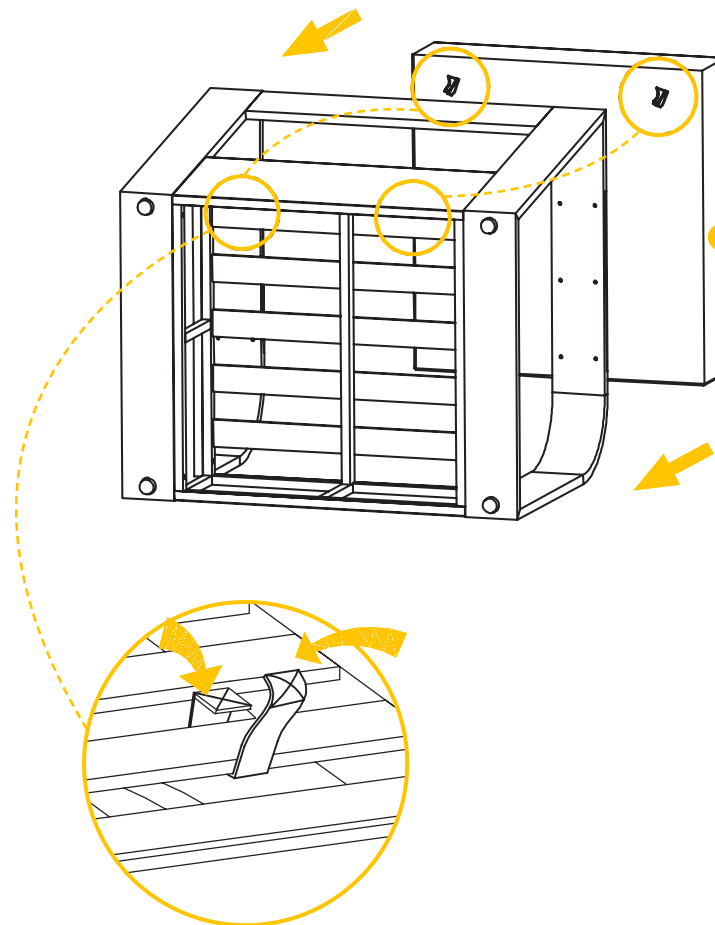
6 Tighten screws

Tighten all the screws.



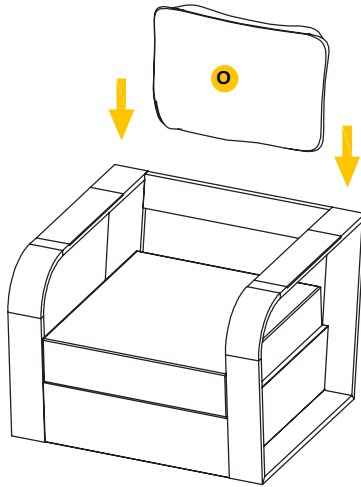
7 Fix the seat cushion

Tie the seat cushion to the seat tube with Velcro.



8 Place the back cushion

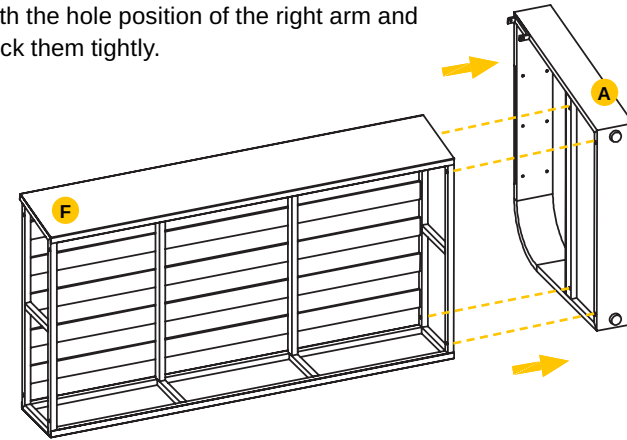
Place the back cushion on the seat.



PRODUCT ASSEMBLY - LOVESEAT

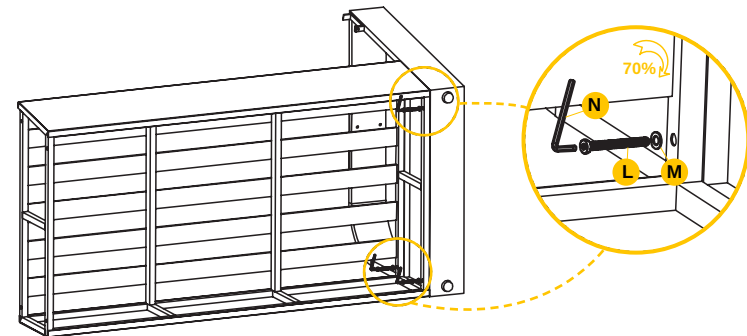
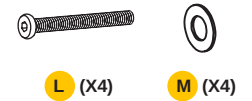
1 Align the hole position

Align the hole position of the loveseat seat with the hole position of the right arm and stick them tightly.



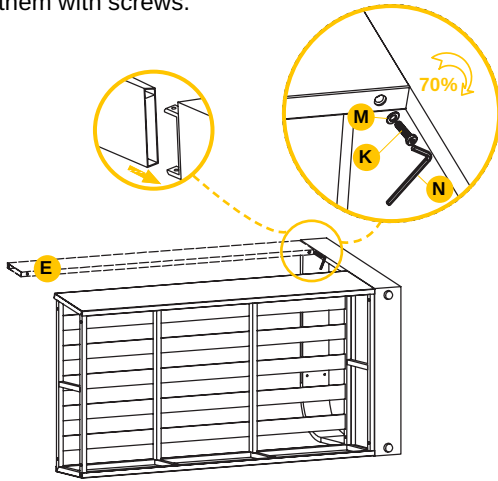
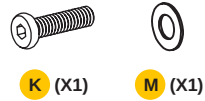
2 Install screws

Fix the loveseat seat and right arm with screws, but don't completely tighten them.



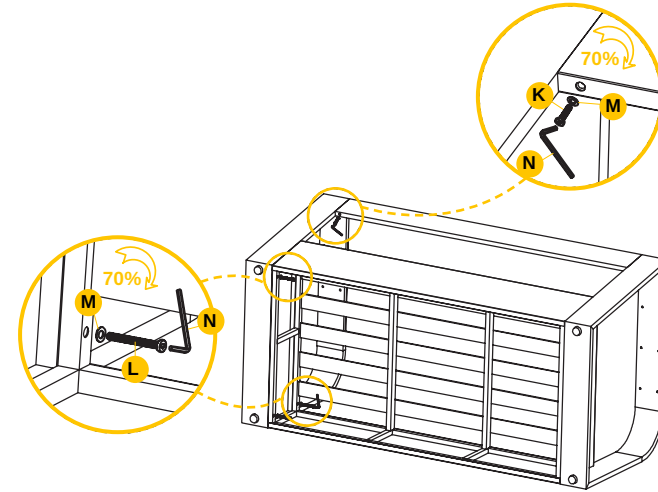
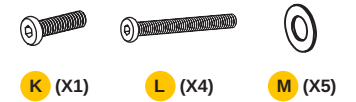
3 Fix the back on one side

After aligning the loveseat back with the right arm, fix them with screws.



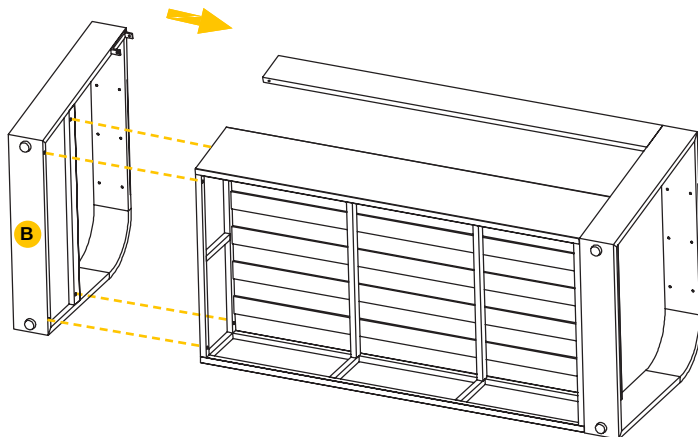
5 Install screws

Fix with screws.



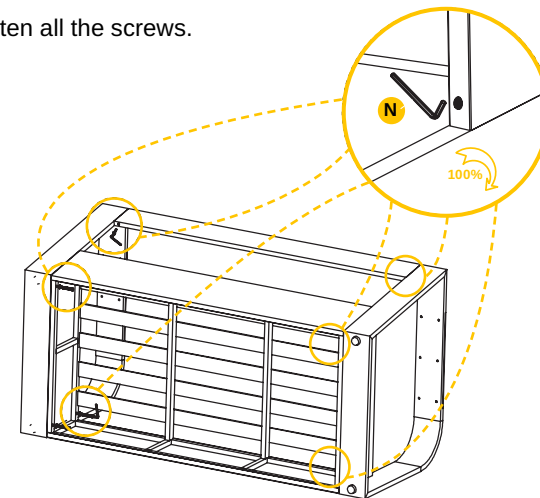
4 Align the hole position

Align the back with the left arm, and at the same time align the hole position of the loveseat seat with the hole position of the left arm and stick them tightly.



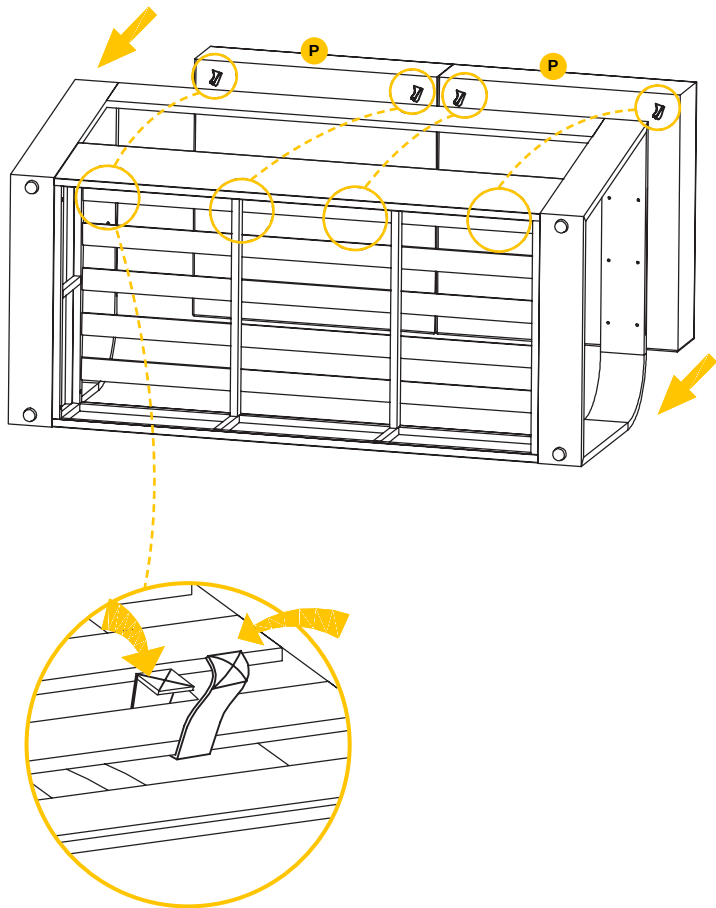
6 Tighten screws

Tighten all the screws.



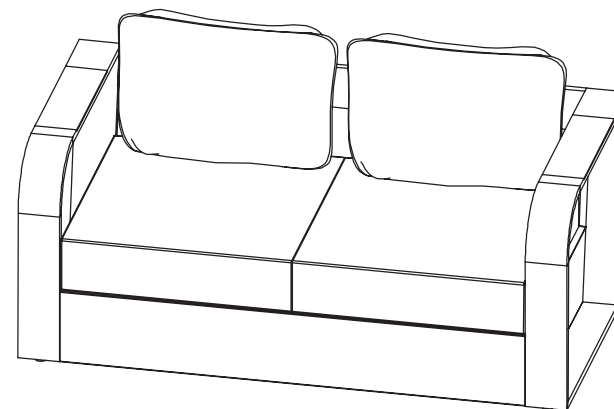
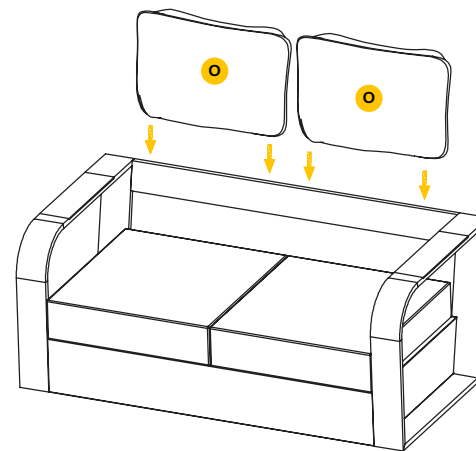
7 Fix the seat cushion

Tie the seat cushion to the seat tube with Velcro.



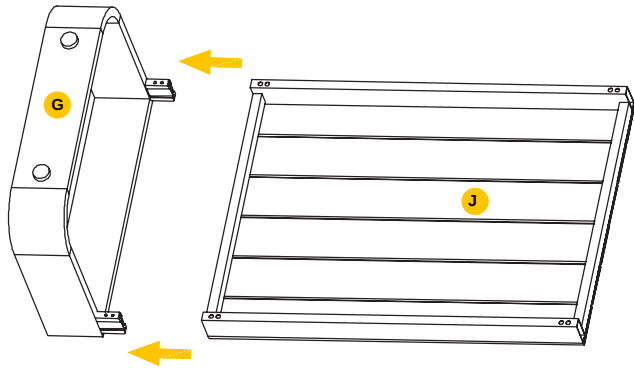
8 Place the back cushion

Put the back cushion on the seat.

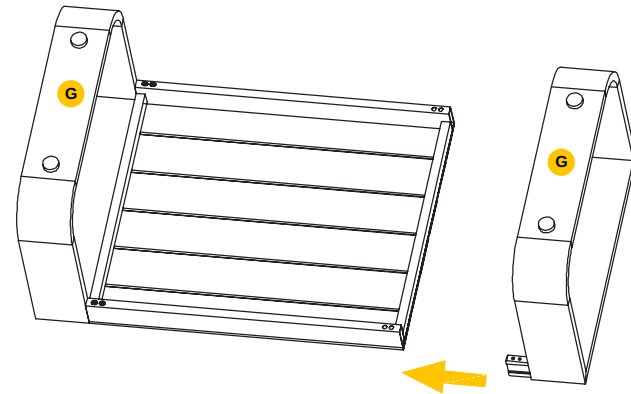


PRODUCT ASSEMBLY - TABLE

1 Align the table top with the table leg on one side.

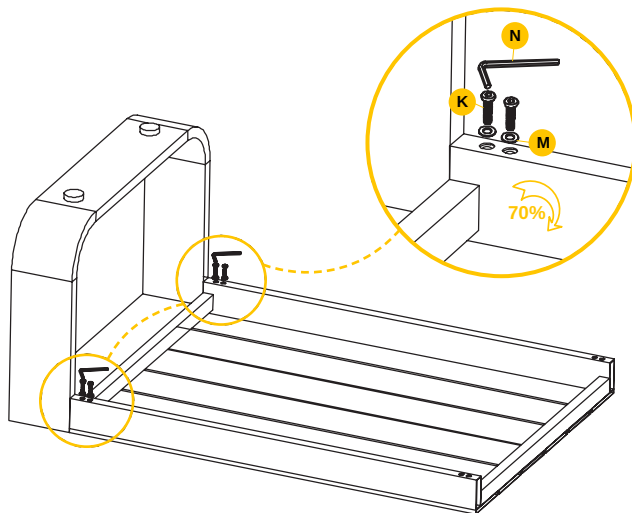
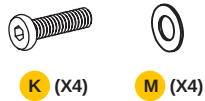


3 Align the table top with the table leg on one side.



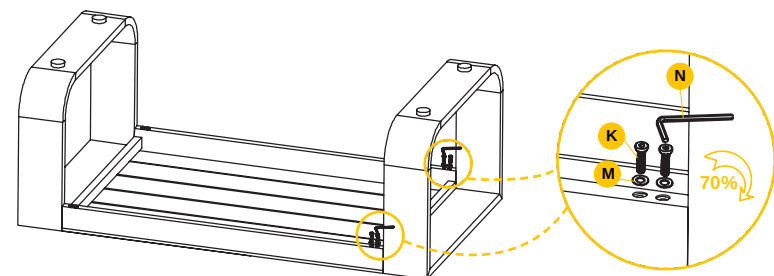
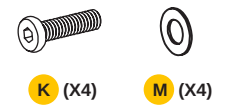
2 Install screws

Fix with screws.



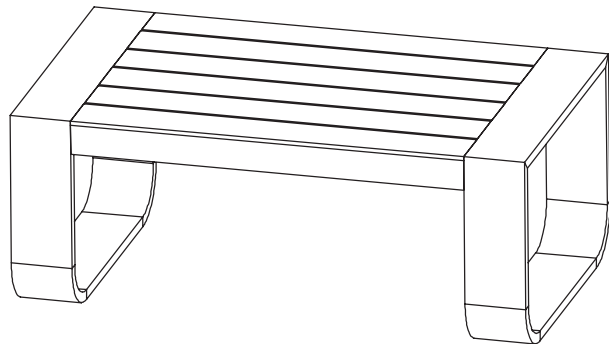
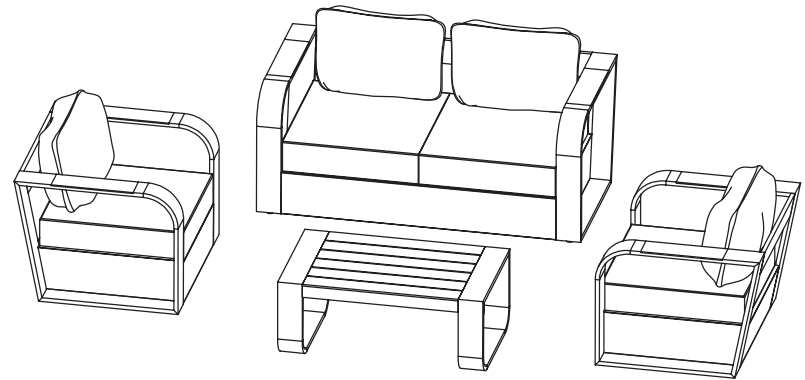
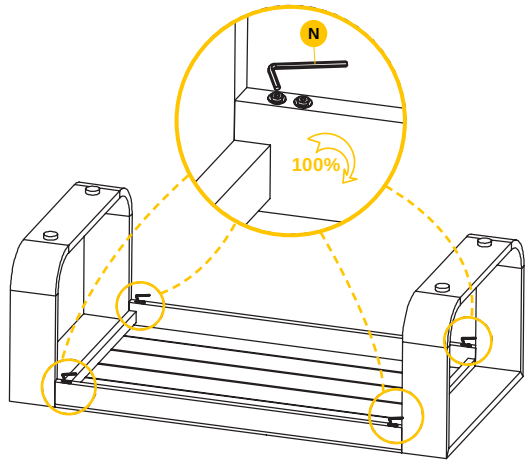
4 Install screws

Fix with screws.



5 Tighten the screws

Tighten all the screws.



FEATURES

- A pair of wide armchairs helps provide a comfortable experience. Soft sponge-filled seats give you extra comfort.
- The covers of cushions can be removed for easy cleaning and maintenance.
- Featuring sturdy aluminium frame and TPU waterproof seat cover. This conversation set can withstand rain and wind.
- The coffee table can be used to place small decor, snacks, or beverages.
- All screws are 304 stainless steel screws, preventing rust from the details and prolonging the service life.

WHAT'S IN THE BOX

- 1 x Loveseat
- 2 x Single Sofa
- 1 x Coffee Table
- 4 x Seat Cushions
- 4 x Back Cushions
- 1 x Accessory Kit
- 1 x Owner's Manual

TECHNICAL SPECS

- Construction Materials: Aluminium Frame, Sponge Cushion
- Weight Capacity:
 - Loveseat: 800lbs.
 - Single Sofa: 400lbs.
- Assembly Time: 50-60 minutes
- Product Size:
 - Loveseat: 62.2 x 31.5 x 24.8 inches
 - Single Sofa: 35.8 x 31.5 x 24.8 inches
 - Coffee Table: 39.4 x 23.6 x 16.1 inches

WARRANTY POLICY

GUARANTEED 3-YEAR WARRANTY

Thank you for choosing East Oak. This product is covered by our company warranty for up to 3 years from its original purchase date.

CLAIM WARRANTY

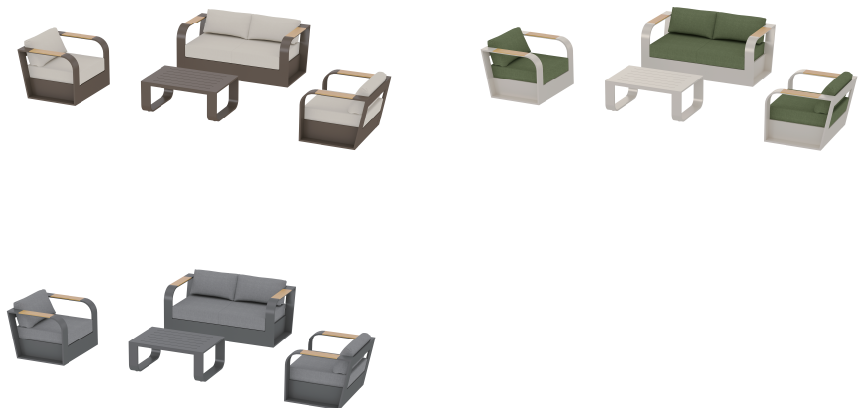
If you'd like to claim your product's warranty, register your new product on our website at www.eastoak.com/warranty.

▲ CALIFORNIA PROP 65 WARNING

This product may contain Polycyclic aromatic hydrocarbons (PAHs) which is known to the state of California to cause cancer birth defects and other reproductive harm. Do not ingest.

For more information go to: www.P65Warnings.ca.gov.

4-Piece Patio Conversation Set



EAST OAK

✉ support@eastoak.com

🌐 eastoak.com

☎ 1-833-EAST-OAK (USA)