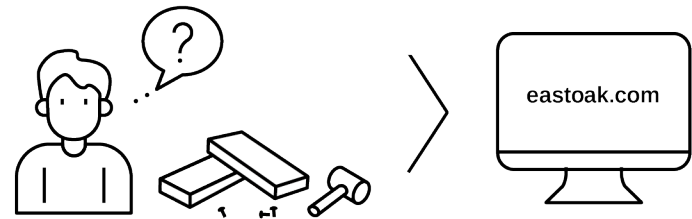


38 Gallon Trash Can Owner's Manual

MODEL:
PTC23001



EAST OAK



**Questions? Comments?
Reach out to us for expert support!**

✉ support@eastoak.com
🌐 eastoak.com
☎ 1-833-EAST-OAK (USA)
(1-833-327-8625)

Follow [eastoakliving](#) on



Claim your 3-year warranty
at eastoak.com/warranty

**Please scan the QR code
to view the installation video**



IMPORTANT CAUTION

Once installed, the product cannot be detached. Please strictly follow each step in the installation manual.

- Please check all parts and components to ensure that there are no damages or missing items before starting the construction of the product. If you have any problems or discover any missing parts, please contact customer service at support@eastoak.com
- Some parts may contain sharp edges. Wear protective gloves if necessary during assembly.
- When using power tools, please adjust the gear to the minimum, otherwise it will cause damage to the parts.

ASSEMBLY INSTRUCTIONS

- DO NOT assemble this item alone for your safety. Two people are necessary for smooth and safe installation.
- Item identification: For ease of identification, all parts are labeled to correspond to the step number in which the part is used.

CARE & SAFETY

- Check all panels for tightness before usage.
- It is of utmost importance to assemble all parts according to the directions. Do not skip any step.
- In case of fire, do not attempt to extinguish any burning polypropylene with water.
- Wear safety goggles and always follow the manufacturer's instructions when using power tools.
- Using a stiff brush or abrasive cleaner could damage the box.
- After rain, wipe the box with cloth before opening.
- Do not stand on the lid.
- To prevent the risk of suffocation, do not allow children to play inside the box.
- Exercise caution when moving fully loaded product. This product is not intended for transporting heavy objects.

PARTS LIST



Front side board

A +Logo (X1)



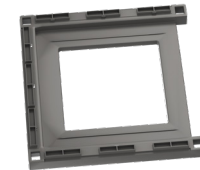
Rear side board

B (X1)



Left and right side boards

A+G (X2)



Base

D (X1)



Movable cleaning tray

C (X1)



Upper cover board

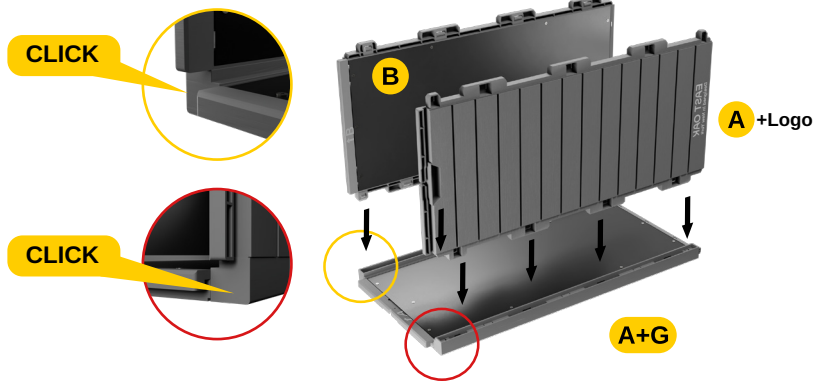
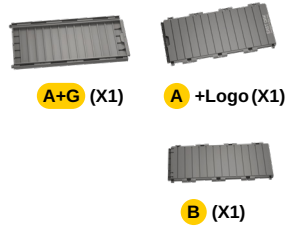
J+K (X1)

1

ASSEMBLY INSTRUCTIONS

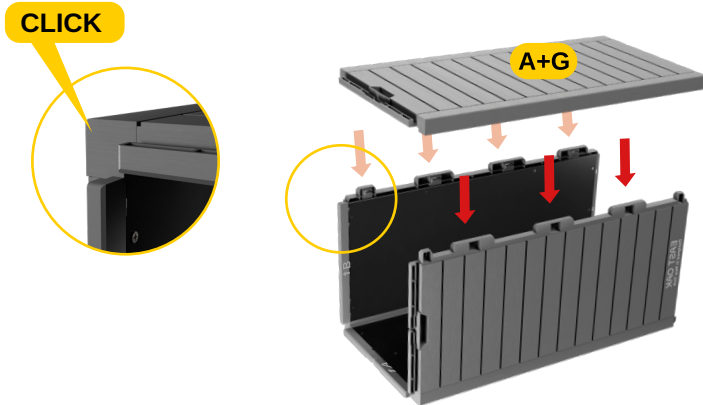
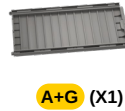
Place board A+G flat on the ground, and insert the front and rear side boards respectively from top to bottom.

Pay attention to the same direction of the letters and arrows!



2

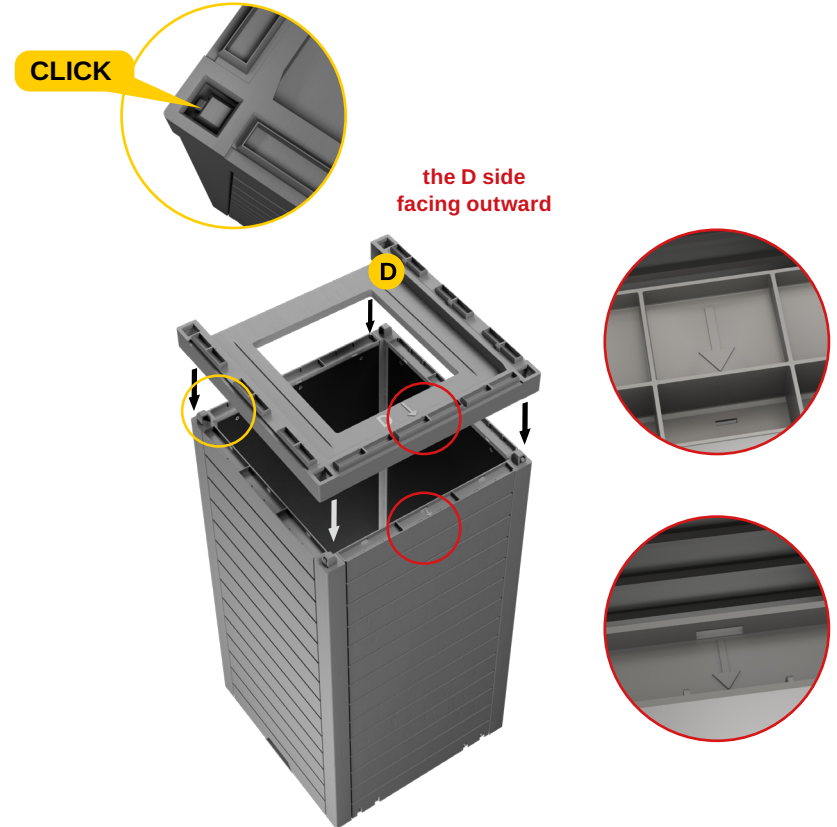
Buckle the other board A+G into the main body. Also pay attention to the same direction of the arrows.



3

Put the assembled main body upside down, and buckle the base into it, and then make it upright.

Attention: Keep the arrows of the base and the main body in the same direction.

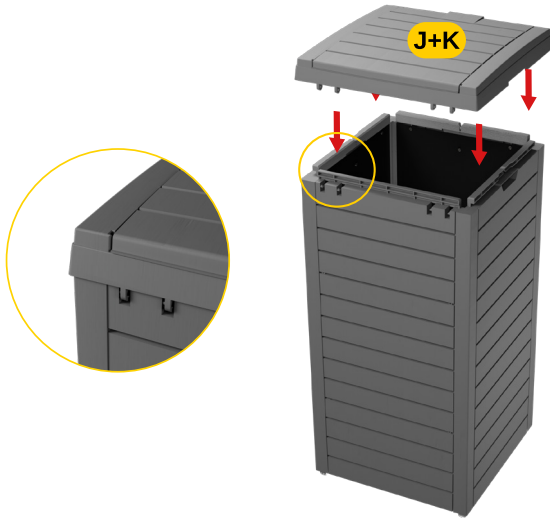


4

Installation of upper cover board: Align the convex point of the buckle of the upper cover board with the slot of the rear side board of the main body and then press it.



J+K (X1)



6

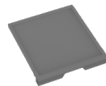
Installation completed.

Before you open it, you need to pull the buckling lock upward slightly with your finger.

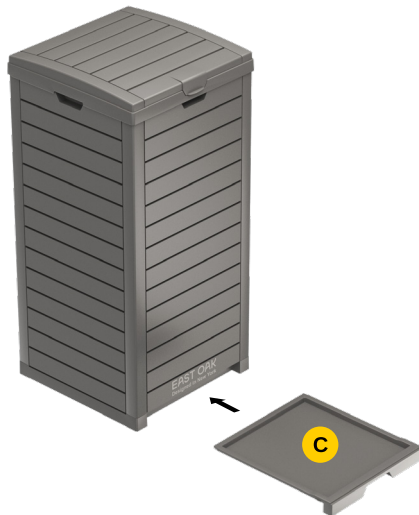


5

Pay attention to making the letters downward.

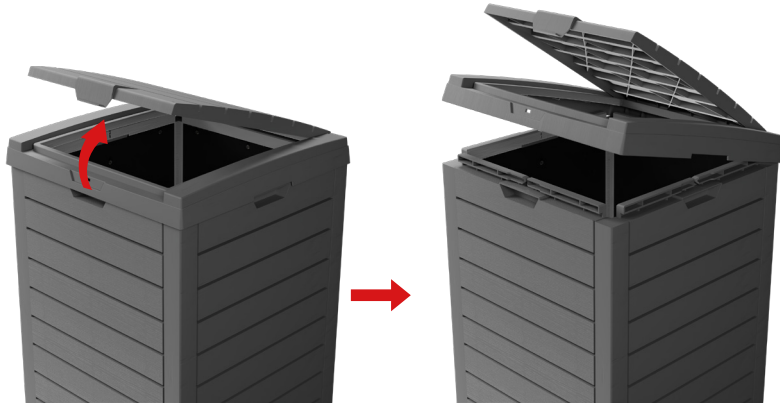


C (X1)



1 HOW TO SECURE TRASH BAGS

Open the inner lid of the trash can.



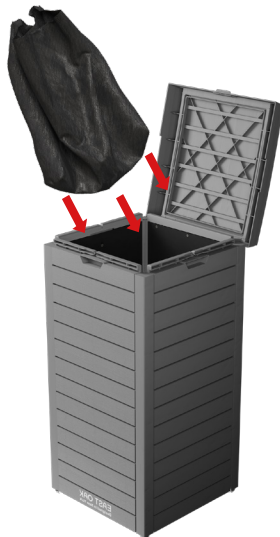
3

Organize the excess part of the trash bag.



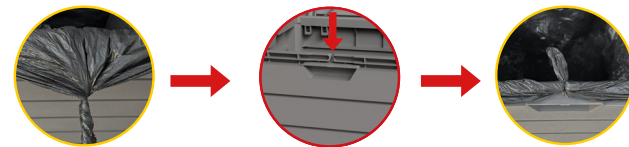
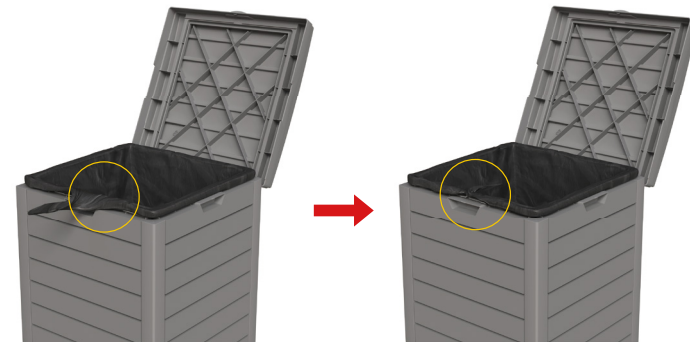
2

Put on the trash bag.



4

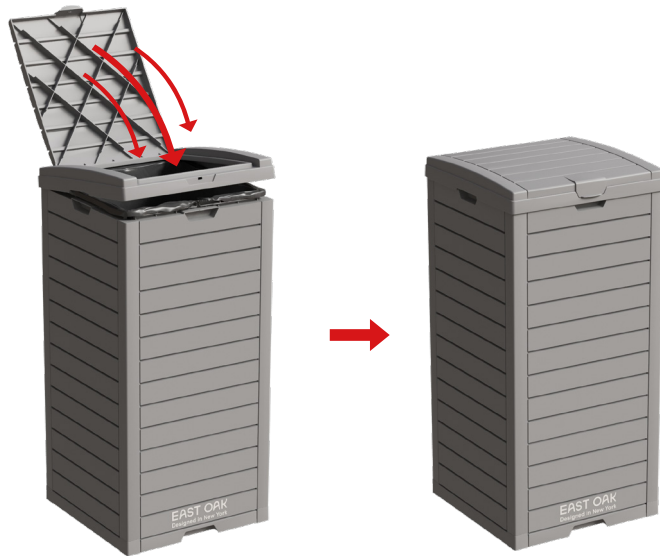
Secure the excess into the groove and pull inward tightly.



secure it in the groove

5

Cover the inner and outer lids.



FEATURES

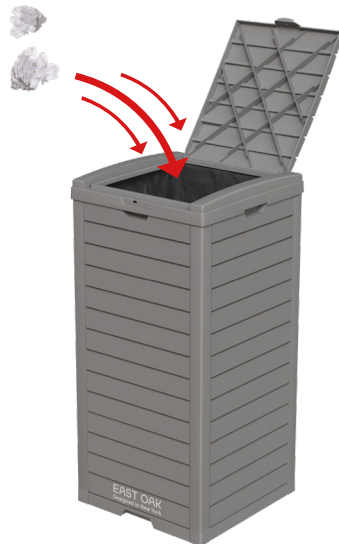
- Weatherproof and Waterproof Outdoor Trash Can
- UV and Fade Resistance
- Durable and Long-lasting Use
- Easy to Assemble
- Marine-grade Quality Hardware
- Comfortable Side Handles
- Upgraded PP Material to Prevent Bending and Fading
- Great Option for Home Storage and Organization

WHAT'S IN THE BOX

- 7 Trash Can Assemblies
- User Manual

6

Open the outer lid only for daily use.



WARRANTY POLICY

GUARANTEED 3-YEAR WARRANTY

Thank you for choosing East Oak. This product is covered by our company warranty for up to 3 years from its original purchase date.

CLAIM WARRANTY

If you'd like to claim your product's warranty, register your new product on our website at www.eastoak.com/warranty.

WARNING

Cancer and Reproductive Harm
www.P65Warnings.ca.gov.

EAST OAK

✉ support@eastoak.com

🌐 eastoak.com

☎ 1-833-EAST-OAK (USA)