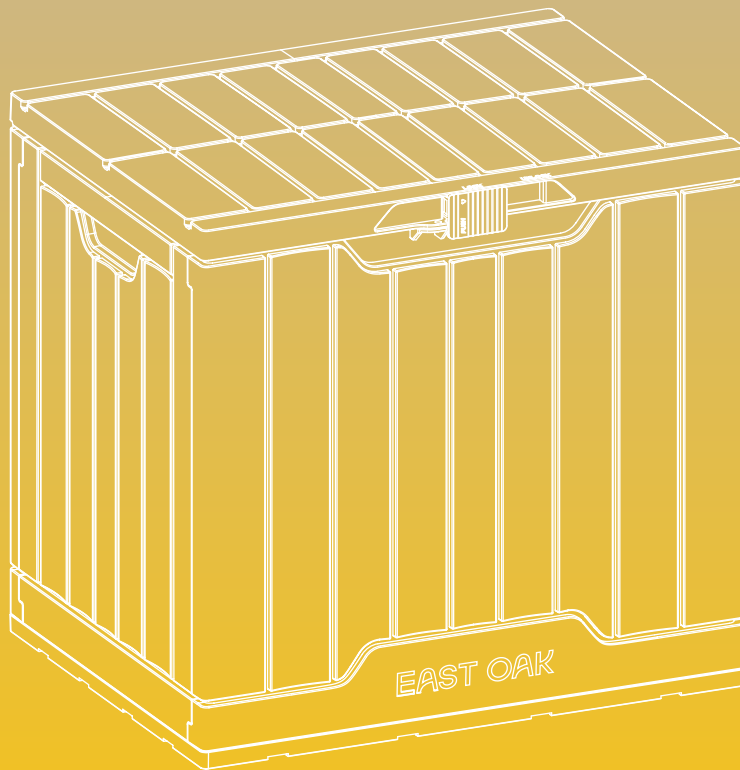
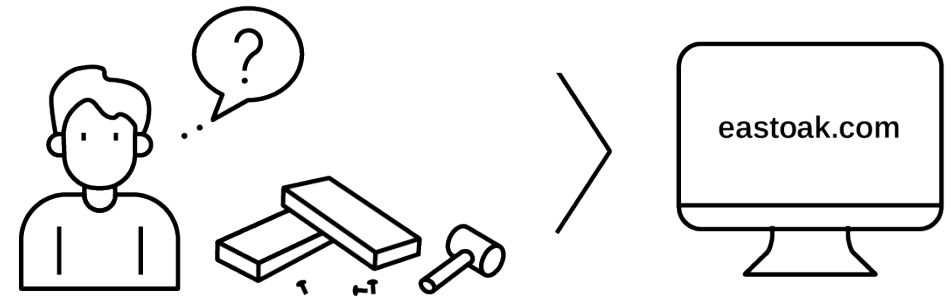


31 Gallon Deck Box Owner's Manual

MODEL:
IM03GY2



EAST OAK



**Questions? Comments?
Reach out to us for expert support!**

✉ support@eastoak.com
🌐 eastoak.com
☎ 1-833-EAST-OAK (USA)
(1-833-327-8625) 9am-5pm PST/PDT

Follow **eastoakliving** on



Claim your 3-year warranty
at eastoak.com/warranty



**Please scan the QR code
to view the installation video**

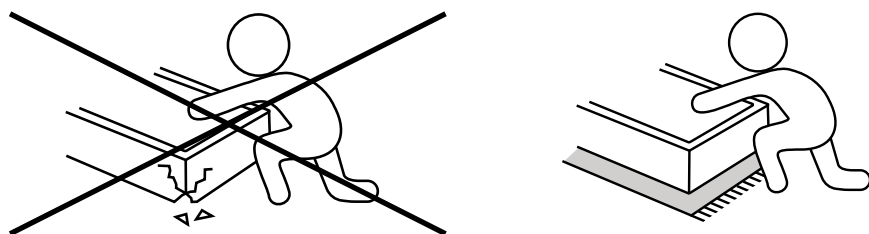


IMPORTANT INFORMATION

Once installed, the product cannot be detached. Please strictly follow each step in the installation manual.

Please check all parts and components to ensure no damage or missing items before starting the product's construction. If you have any problems or discover any missing parts, please contact customer service at support@eastoak.com.

- Some parts may contain sharp edges. Wear protective gloves if necessary during assembly.
- Assemble on a soft surface such as a drop sheet or rug to avoid scratching.



ASSEMBLY INSTRUCTIONS

- We recommend using a rubber hammer to install the product.
- You can find the installation prompt letters (A-E) on the inside of all panels.
- Item identification: For ease of identification, all parts are labeled to correspond to the step number in which the part is used.
- DO NOT assemble this item alone for your safety.

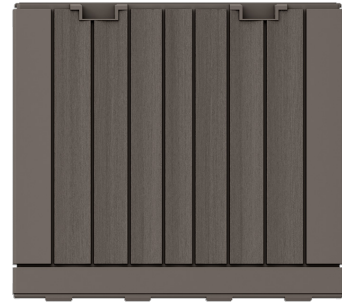
CARE & SAFETY

- Avoid placing products in areas with standing water, such as potholes on lawns.
- Check all panels for tightness before usage.
- It is of utmost importance to assemble all parts according to the directions. Do not skip any step.
- In case of fire, do not attempt to extinguish any burning polypropylene with water.
- Using a stiff brush or abrasive cleaner could damage the box.
- Hot items such as recently used grills, blowtorches, etc., must not be stored in the box.
- After rain, wipe the box with cloth before opening.
- Unsuitable for the storage of flammable or corrosive substances.
- Do not stand on the lid.
- To prevent the risk of suffocation, do not allow children to play inside the box.

PARTS LIST



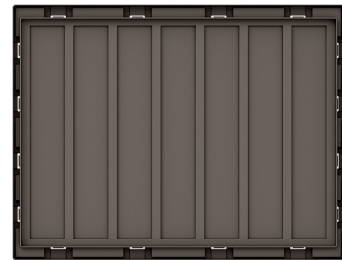
Front Panel
A X 1 PC



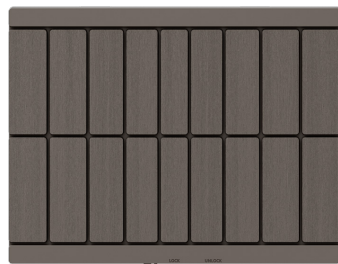
Back Panel
B X 1 PC



Side panel
C X 2 PCS



Bottom Panel
D X 1 PC



Lid panel
E X 1 PC



Clip
F X 1 PC

WHAT'S IN THE BOX

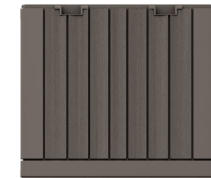
- 6 X Deck Box Assemblies
- 1 X Clip
- 1 X User Manual

ASSEMBLY INSTRUCTIONS

- 1 Please match the edges marked in the diagram.
Assemble by inserting Side Panels (C) into Back Panel (B).
Each piece has four snap locks that fit into corresponding slots.



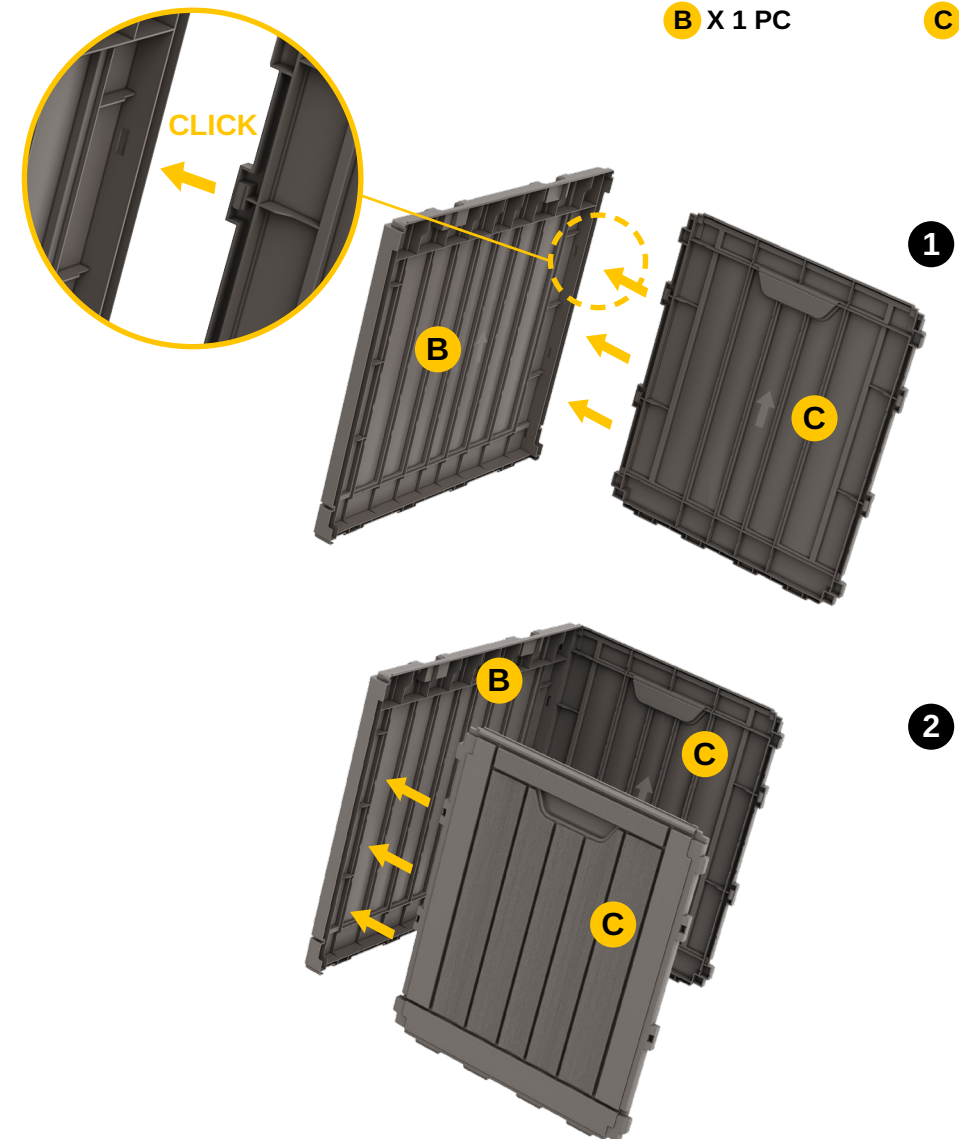
TIPS: You can find the installation prompt letters (A-E) on the inside of all panels.



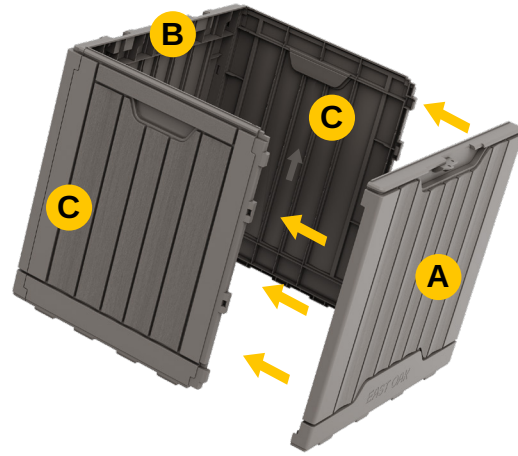
B X 1 PC



C X 2 PCS

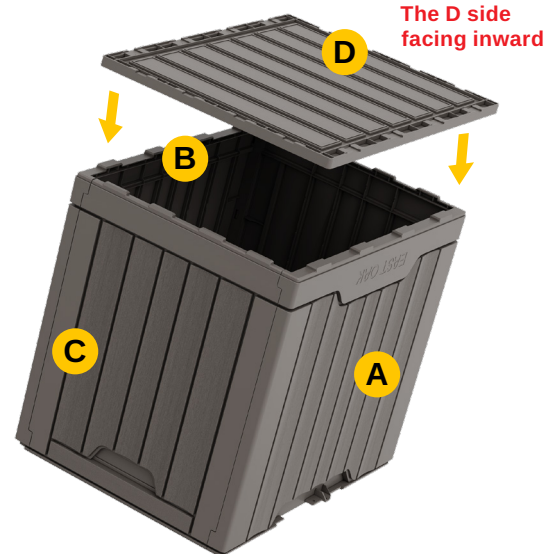
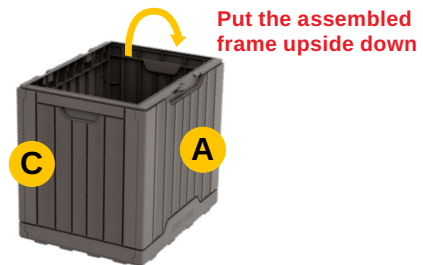


2 Attach Front Panel (A) onto the assembled parts.
Both sides have four snap locks that securely connect.



A X 1 PC

3 Put the assembled frame upside down and install the Bottom Panel (D). Each side has four snap locks that should fit perfectly onto the Bottom Panel (D). Ensure a tight fit for every lock.

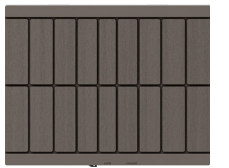


D X 1 PC

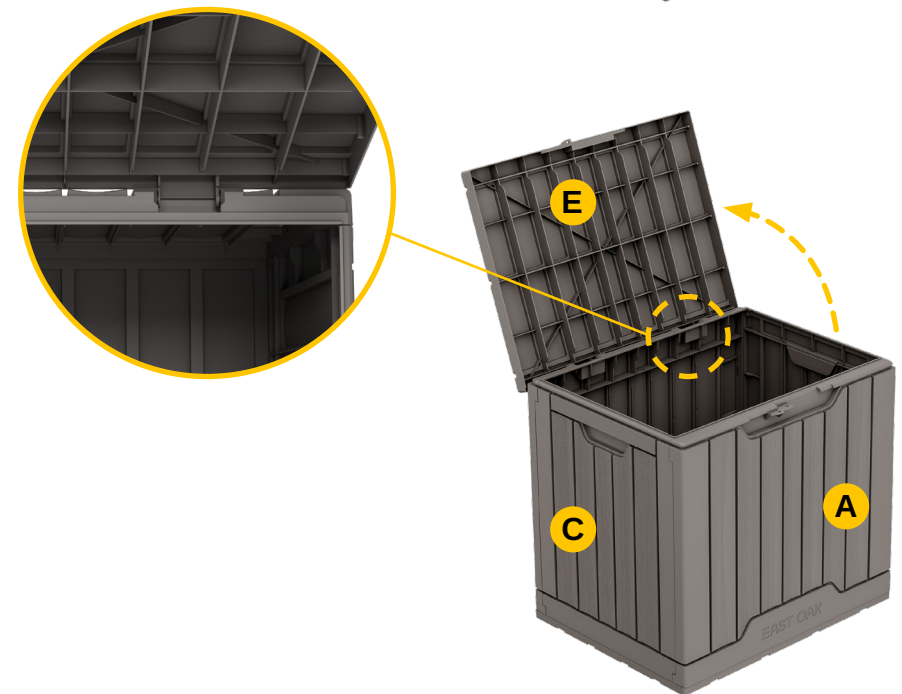
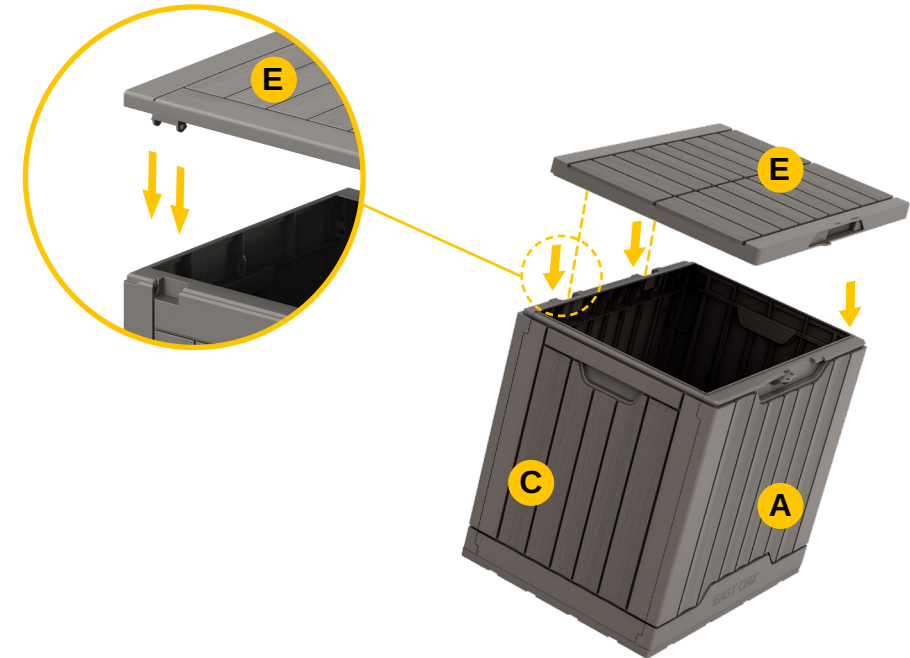


TIPS: If needed, it is recommended to use a rubber hammer to assist the snap locks in fully inserting into the the corresponding slots

4 After completion, secure the Lid Panel (E) onto the top.
Properly fix both sides of the two hinges. Test opening and closing the lid to ensure smooth movement.



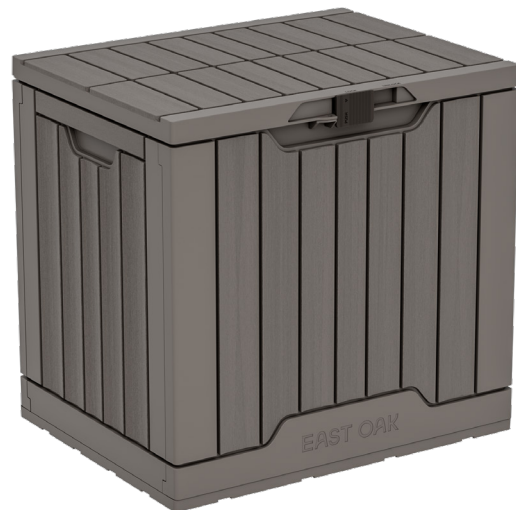
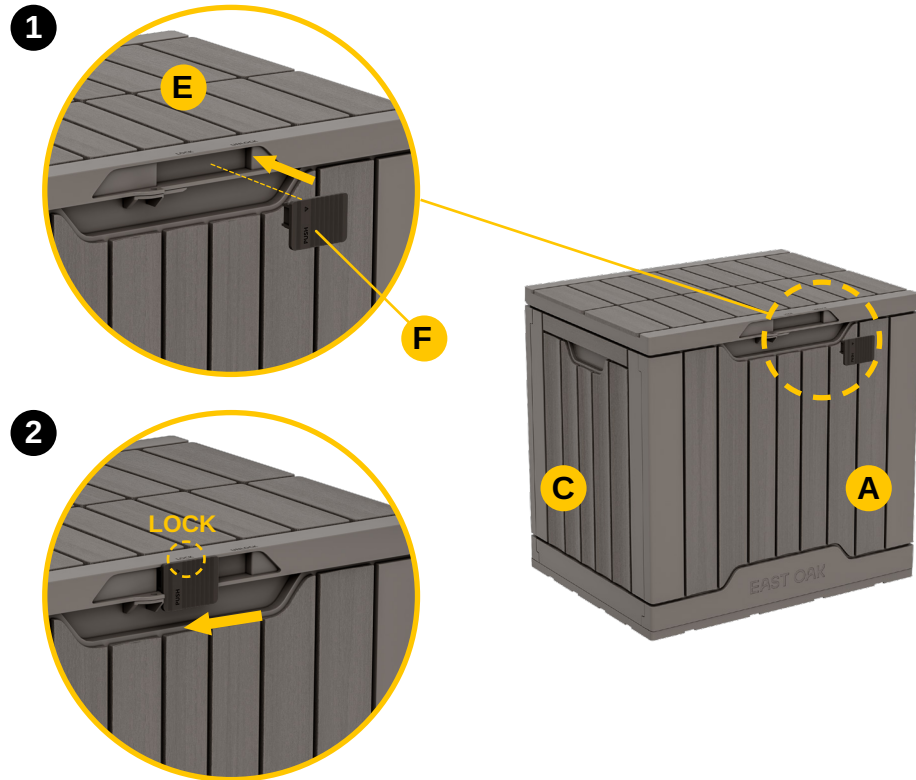
E X 1 PC



- 5** Install the Clip (F) on the lid.
Slide left and right to ensure smooth movement. Slide to the “lock” position; the lid should stay closed, and the lock hole should align for a fitted lock.



F X 1 PC



FEATURES

- Weatherproof and waterproof outdoor furniture
- Uv and fade resistance
- Durable and long-lasting use
- Easy to assemble
- Comfortable side handles
- Upgraded pp material to prevent bending and fading
- Use for indoors and outdoors, pillows, pool toys, garden tools, furniture and sports equipment
- Great option for home storage and organization

WARRANTY POLICY

GUARANTEED 3-YEAR WARRANTY

Thank you for choosing East Oak. This product is covered by our company warranty for up to 3 years from its original purchase date.

CLAIM WARRANTY

If you'd like to claim your product's warranty, register your new product on our website at www.eastoak.com/warranty.

⚠ WARNING

Cancer and reproductive harm
www.P65Warnings.ca.gov.

EAST OAK

✉ support@eastoak.com

🌐 eastoak.com

☎ 1-833-EAST-OAK (USA)