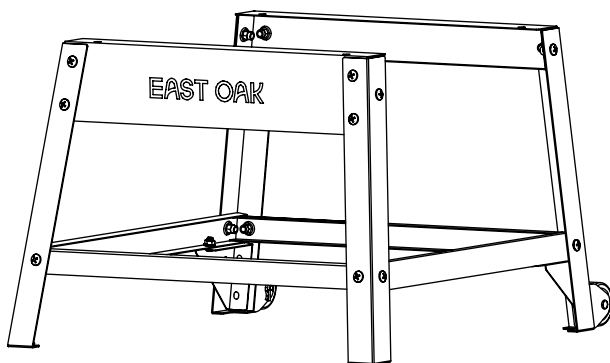


30" Electric Smoker Stand Owner's Manual

MODEL:
SS30BU4



EAST OAK

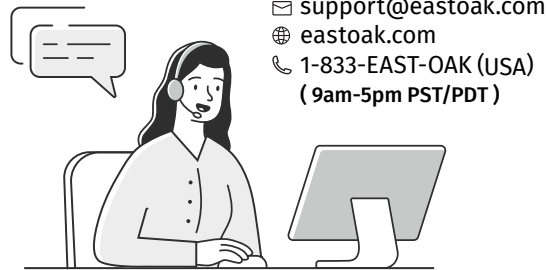
3-Y

Unlock all the perks! Start the registration process now for a 3-year warranty.

Step: Scan the QR code within 90 days to access our registration page. Fill the Unique Product ID and other required information as instructed. **Complete the registration!**



Questions? Comments? Reach out to us for expert support.



Welcome to the East Oak family!

Stay updated with our latest news and exclusive discounts by following us on social media!



Facebook @eastoakliving
www.facebook.com/eastoakliving



Instagram @eastoakliving
www.instagram.com/eastoakliving/

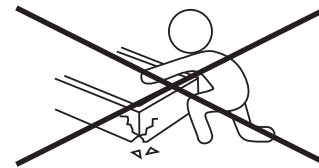


Youtube @eastoakliving2080
www.youtube.com/@eastoakliving2080

IMPORTANT INFORMATION

Please check all parts and components to ensure no damage or missing items before starting the product's construction. If you have any problems or discover any missing parts, please contact customer service at **support@eastoak.com**.

- Some parts may contain sharp edges. Wear protective gloves if necessary during assembly.
- When using power tools, please adjust the gear to the minimum. Otherwise, it will cause damage to the parts.
- Assemble on a soft surface such as a drop sheet or rug to avoid scratching.



PARTS LIST



Left Front Leg
A X 1 PC



Right Front Leg
B X 1 PC



Front Panel
C X 1 PC



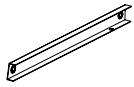
Rear Connecting Plate
D X 1 PC



Left Rear Leg
E X 1 PC



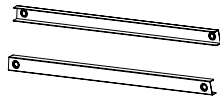
Right Rear Leg
F X 1 PC



Left Bar
G X 1 PC



Right Bar
H X 1 PC



Middle Bar
I X 2 PCS



M6*12 Screw
J X 24 PCS + Spare X 2



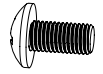
M6 Flange Nut
K X 2 PCS

WHAT'S IN THE BOX

- 1 x Left Front Leg
- 1 x Right Front Leg
- 1 x Front Panel
- 1 x Rear Connecting Plate
- 1 x Left Rear Leg
- 1 x Right Rear Leg
- 1 x Left Bar
- 1 x Right Bar
- 2 x Middle Bars
- 24 x M6*12 Screws + Spare X 2
- 2 x M6 Flange Nuts
- 1 x Owner's Manual

1

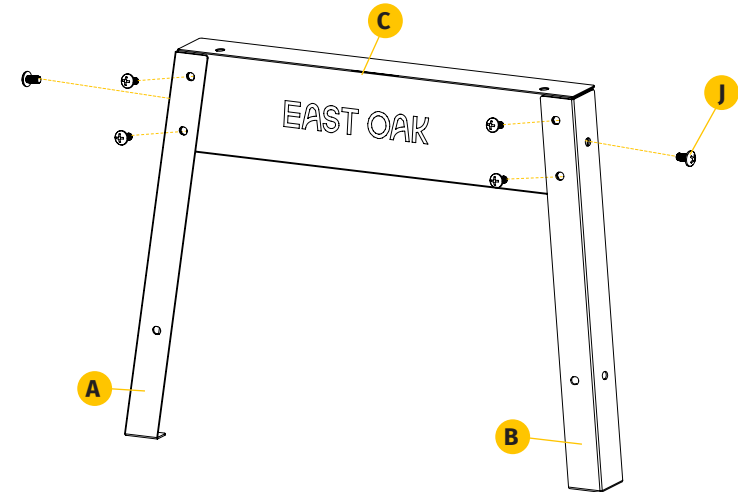
Use a screwdriver to fasten Screws (J) as shown in the diagram to secure the Left Front Leg (A) and Right Front Leg (B) onto the Front Panel (C).



J X 6 PCS



TIPS: Please make sure that the orientation is correct.

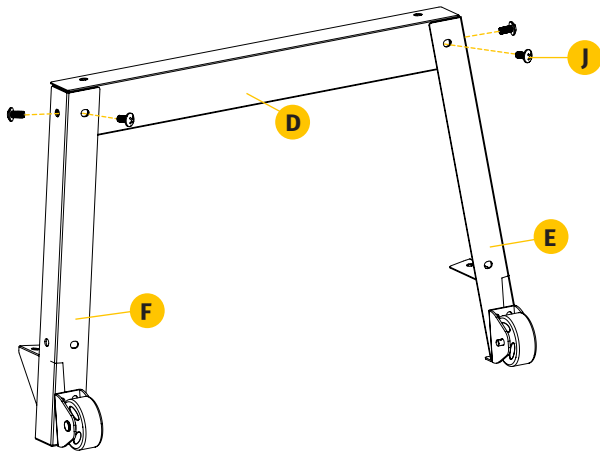


2

Use a screwdriver to continue tightening the Screws (J) as shown in the figure, and secure the Left Rear Leg (E) and Right Rear Leg (F) to the Rear Connecting Plate (D).

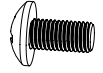


J X 4 PCS



3

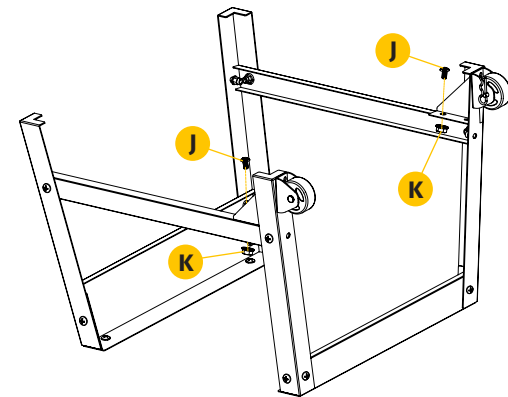
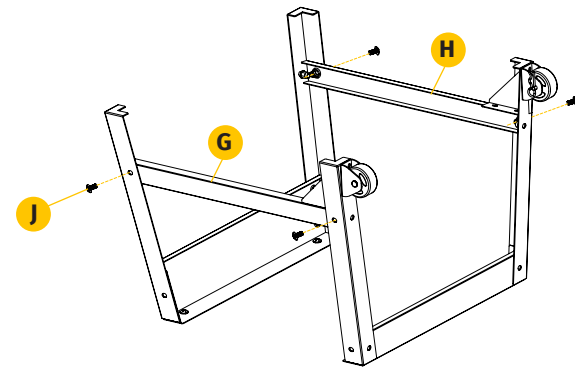
Place the Left Bar (G) and Right Bar (H) onto the assembled parts, then use a screwdriver to tighten Screws (J) and nuts (K) as shown in the figure to secure the parts together.



J X 6 PCS



K X 2 PCS

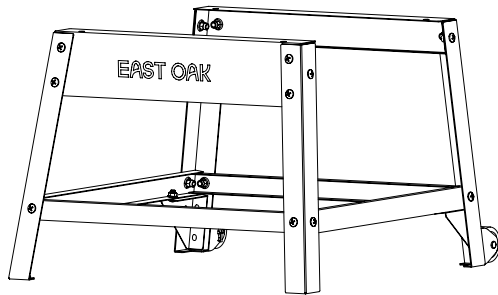
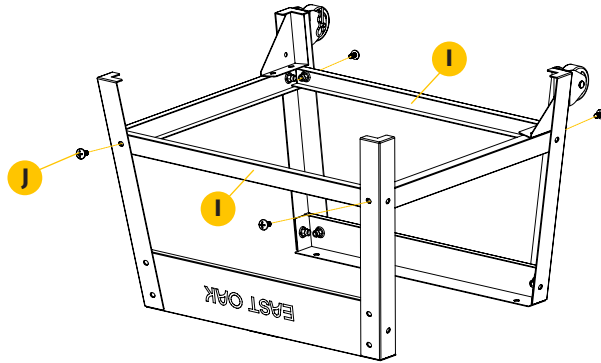


4

Tighten Screws(J) with a screwdriver to secure the Middle Bar (I) to the front and rear sides as shown.



J X 4 PCS



5

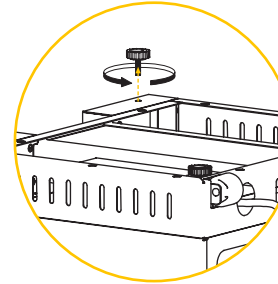
After laying cardboard or a mat on the ground and removing the Drip Pan, Water Box, Smoker Box and Cooking Racks from inside the smoker, turn the entire machine over 180 degrees. Apply force to unscrew the rubber foot screws on the base. Align the stand with the four holes and secure it by tightening Screws (J). Store any extra rubber foot screws for future use.



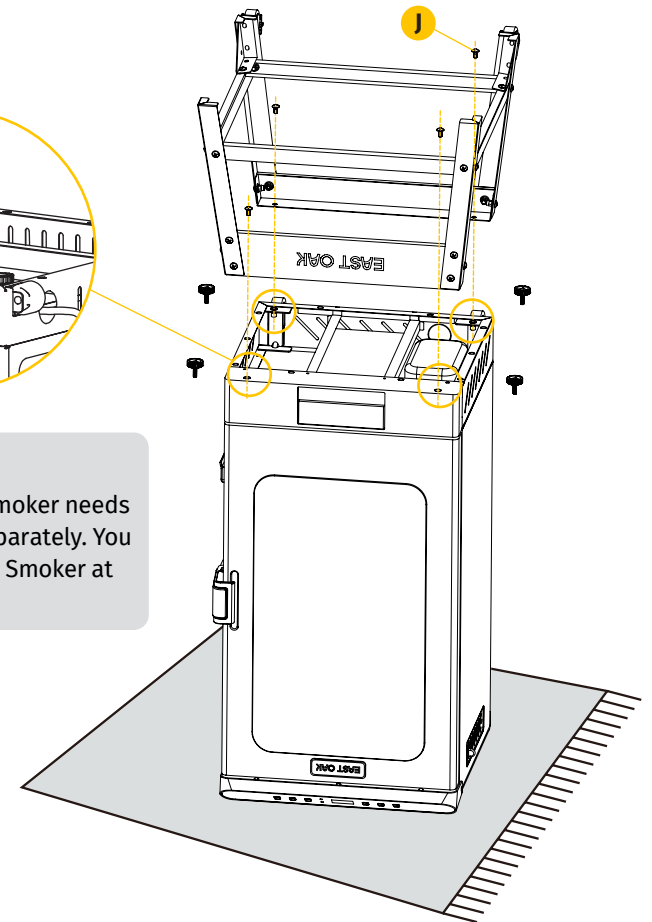
J X 4 PCS



TIPS: If the holes don't align, you can adjust the bracket by hand to align the holes before tightening the screws.

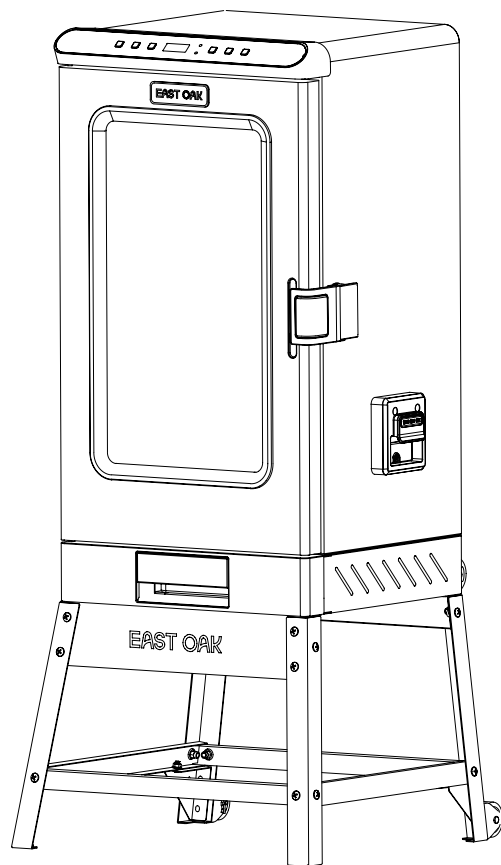


TIPS: The Electric Smoker needs to be purchased separately. You can buy the Electric Smoker at East Oak store.



6

Flip the entire unit back to its original position. Place the Drip Pan, Water Box, Smoker Box and Cooking Racks back into the Electric Smoker.



WARRANTY POLICY

GUARANTEED 3-YEAR WARRANTY

Thank you for choosing East Oak. This product is covered by our company warranty for up to 3 years from its original purchase date.

CLAIM WARRANTY

If you'd like to claim your product's warranty, register your new product on our website at www.eastoak.com/warranty.

⚠ WARNING

Cancer and reproductive Harm
www.P65Warnings.ca.gov.

EAST OAK

✉ support@eastoak.com

🌐 eastoak.com

☎ 1-833-EAST-OAK (USA)