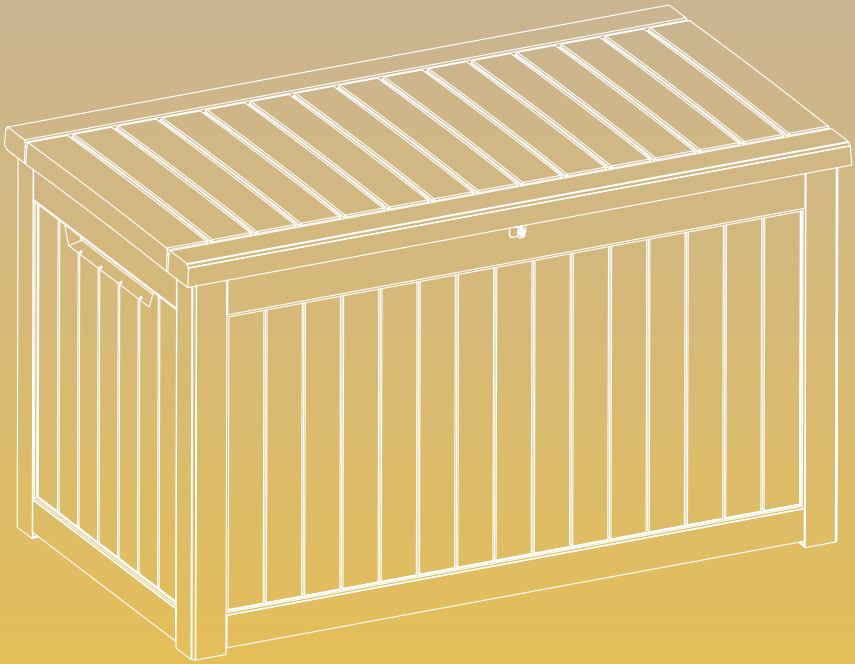
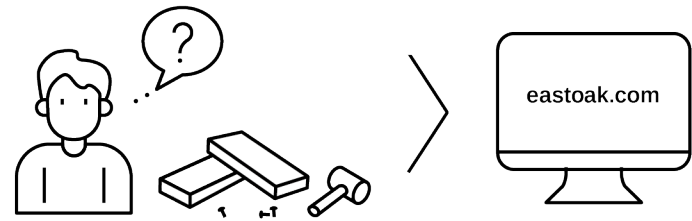


# 230 Gallon Deck Box Owner's Manual

**MODEL:**  
DB23005



# EAST OAK



**Questions? Comments?  
Reach out to us for expert support!**

✉ [support@eastoak.com](mailto:support@eastoak.com)

🌐 [eastoak.com](http://eastoak.com)

☎ 1-833-EAST-OAK (USA)

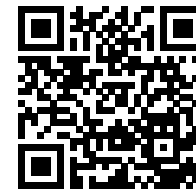
(1-833-327-8625) Mon-Fri 8am-8pm EST

Follow [eastoakliving](#) on



**Claim your 3-year warranty**

at [eastoak.com/warranty](http://eastoak.com/warranty)



**Please scan the QR code  
to view the installation video**



## IMPORTANT CAUTION

Once installed, the product cannot be detached. Please strictly follow each step in the installation manual.

- Please check all parts and components to ensure that there are no damages or missing items before starting the construction of the product. If you have any problems or discover any missing parts, please contact customer service at [support@eastoak.com](mailto:support@eastoak.com)
- Some parts may contain sharp edges. Wear protective gloves if necessary during assembly.
- When using power tools, please adjust the gear to the minimum, otherwise it will cause damage to the parts.

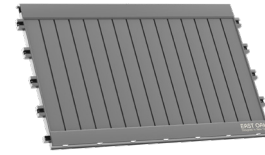
## ASSEMBLY INSTRUCTIONS

- DO NOT assemble this item alone for your safety. Two people are necessary for smooth and safe installation.
- We recommend using a rubber hammer and an electric screwdriver for better installation.
- Item identification: For ease of identification, all parts are labeled to correspond to the step number in which the part is used.
- **Tips: When installing the screws, fix them first, and then tighten the screws after they are all positioned.**
- **The letter marks on the A/B/C/J panels should face inward when installing.**

## CARE & SAFETY

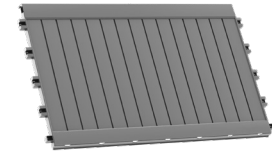
- **Avoid placing products in areas with standing water, such as potholes on lawns.**
- Check all panels for tightness before usage.
- It is of utmost importance to assemble all parts according to the directions. Do not skip any step.
- In case of fire, do not attempt to extinguish any burning polypropylene with water.
- Wear safety goggles and always follow the manufacturer's instructions when using power tools.
- Using a stiff brush or abrasive cleaner could damage the box.
- Hot items such as recently used grills, blowtorches, etc., must not be stored in the box.
- After rain, wipe the box with a cloth before opening it.
- Unsuitable for the storage of flammable or corrosive substances.
- Do not stand on the lid.
- To prevent the risk of suffocation, do not allow children to play inside the box.

## PARTS LIST



Front Panel (with LOGO)

A (X1)



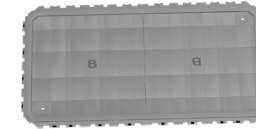
Back Panel

A (X1)



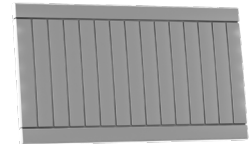
Side Panel

C (X2)



Bottom Panel

B (X1)



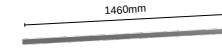
Lid Panel

J (X1)



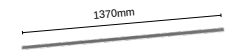
Role

G (X4)



Reinforced Metal Rod

R1 (X1)



Reinforced Metal Rod

R2 (X2)



Lock Bracket-1

V (X1)



Lock Bracket-2

I (X1)



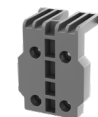
Plastic Strip

T (X1)



Screw

M (X30) + Spare(X2)



Plastic Hinge

E (X1)



Side Panel Reinforced Bridge

G2 (X4)



Rubber Plug

Q (X2)



Hydraulic Rod

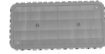
H (X2)

# 1

## ASSEMBLY INSTRUCTIONS

Align 2 Rubber Plugs Q with the hole and install it on Panel B.

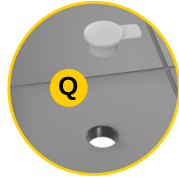
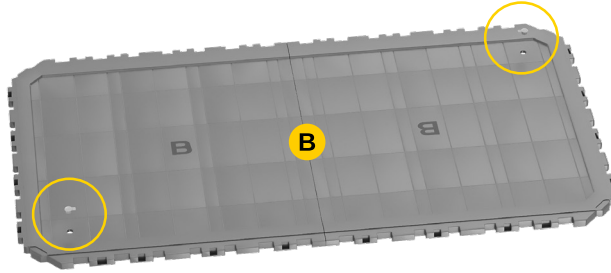
The letter marks on the A/A+Logo/B/C/J panels should face inward when installing.



B (X1)



Q (X2)



# 2

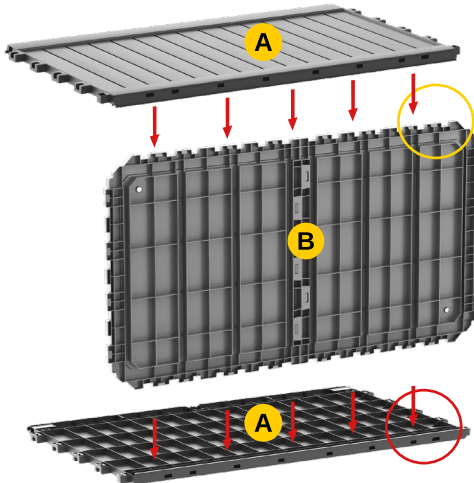
Put a Panel A on the ground, then install Panel B and the other Panel A on it.



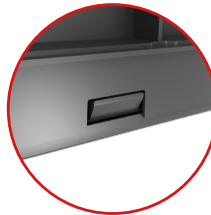
A (X1)



A (X1)



ground



# 3

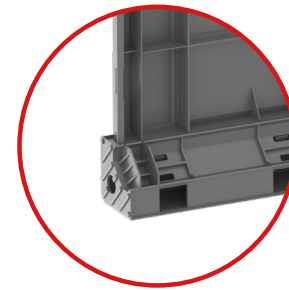
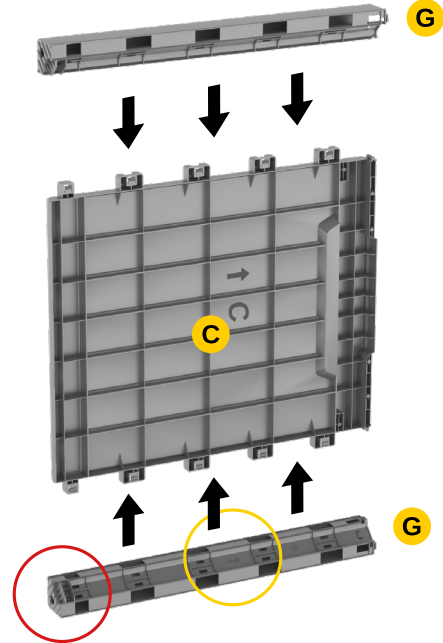
Install 4 Roles G to 2 Side Panels C. Please keep the direction of the arrows on the G and C consistent.



C (X2)



G (X4)

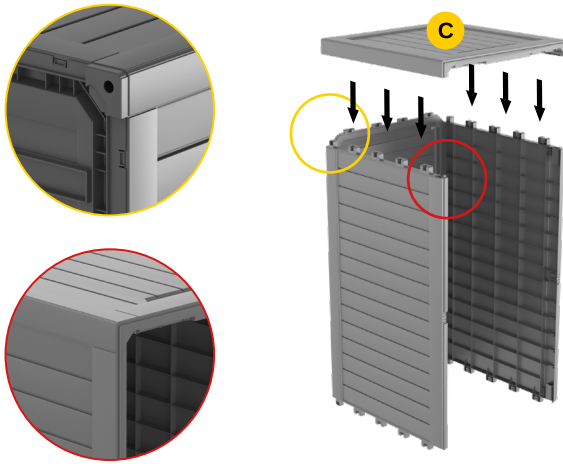


# 4

Be sure to match Panel A,B,C correctly.



C (X1)



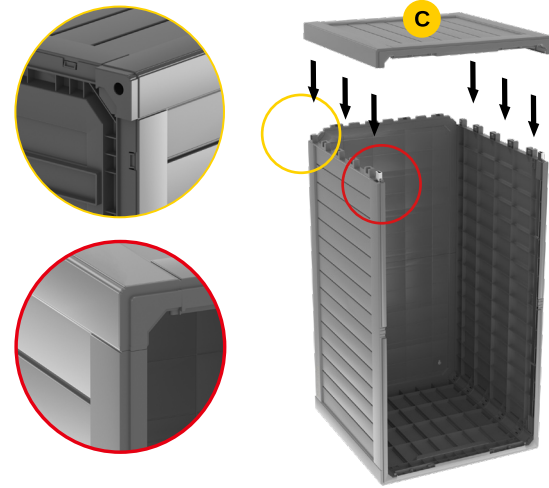
ground

# 6

Repeat step 4 and install another Side Panel C. Please using rubber mallet for convenient installation.



C (X1)

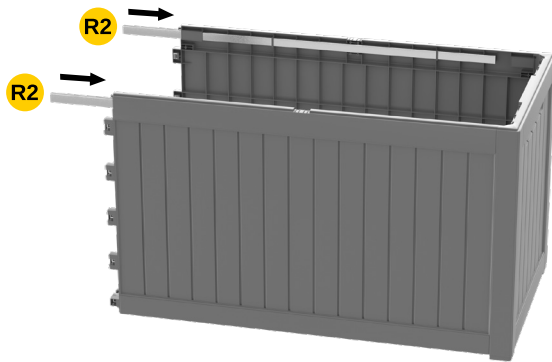


# 5

Install 2 Reinforced Metal Rods R2 to Panel A, making sure the rods are inserted to the end of the card slot.



R2 (X2)



# 7

Install Lock Bracket-2 I and Plastic Strip T to Front Panel A(with logo) with 3 Screws.



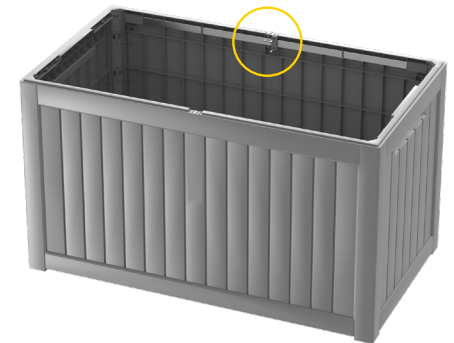
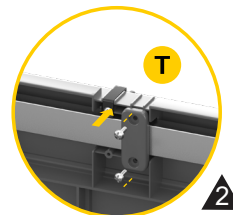
I (X1)



T (X1)

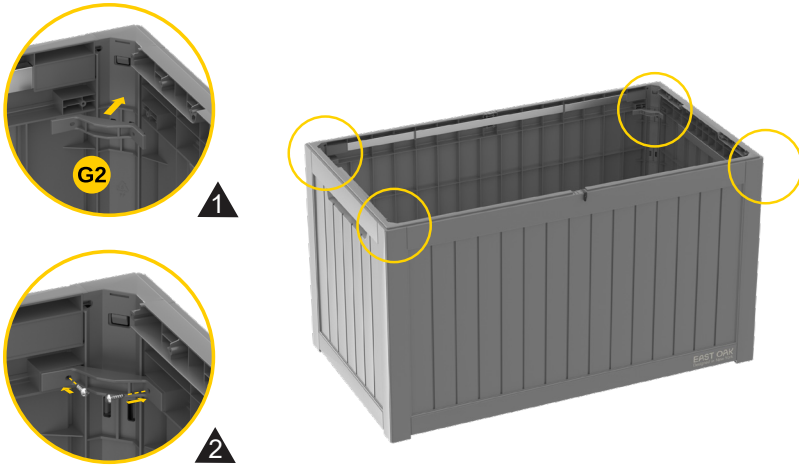
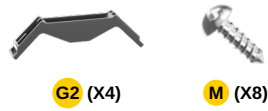


M (X3)



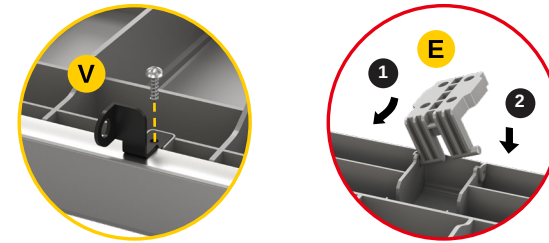
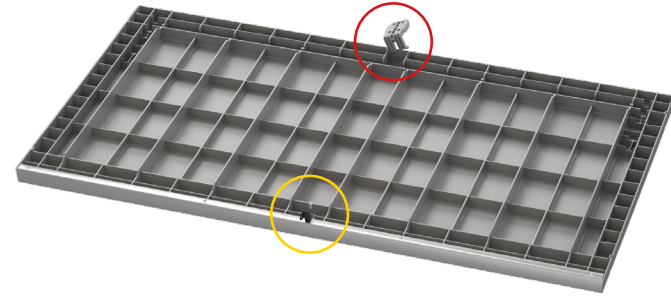
# 8

Install 4 Side Panel Reinforced Bridge G2 to the corners of the box with 8 Screws.



# 10

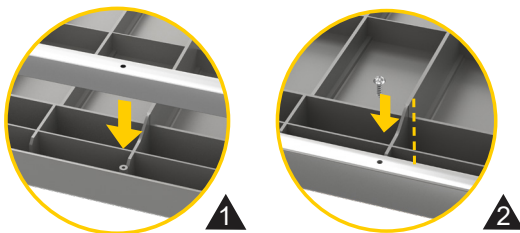
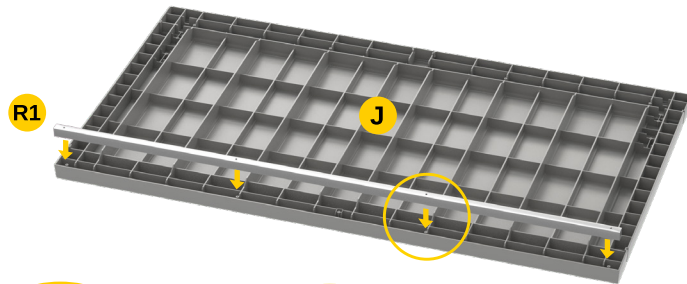
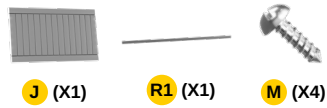
Install Lock Bracket-1 V and Plastic Hinge E to Lid Panel J.



**For easier installation, Plastic Hinge E should tilt to one side.**

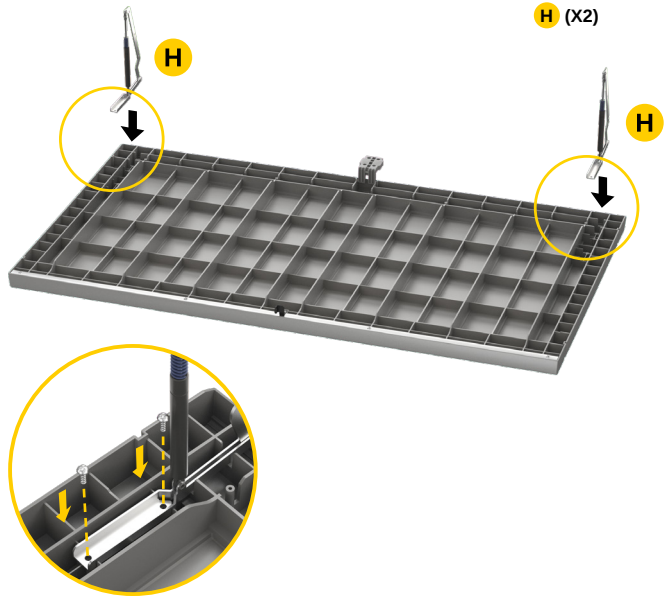
# 9

Please attach the Reinforced Metal Rod R1 to Lid Panel J.



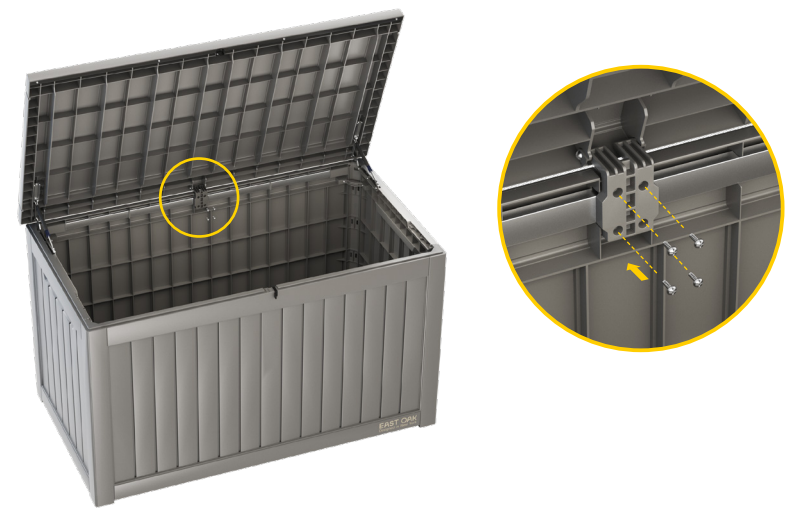
# 11

Assemble 2 Hydraulic Rods H to Lid Panel J with 4 Screws.



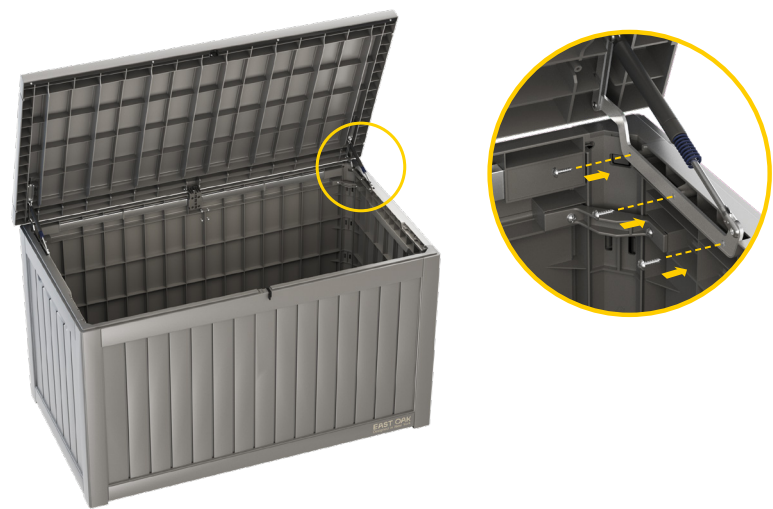
# 13

Tighten Plastic Hinge E with 4 Screws.



# 12

Assemble 2 Hydraulic Rods H to Side Panel C with 6 Screws.



# 14

Installation completed.



---

## FEATURES

- Weatherproof and waterproof outdoor furniture
- Uv and fade resistance
- Durable and long-lasting use
- Easy to assemble
- Marine-grade quality hardware
- Comfortable side handles
- Upgraded pp material to prevent bending and fading
- Use for indoors and outdoors, pillows, pool toys, garden tools, furniture and sports equipment
- Great option for home storage and organization

---

## WHAT'S IN THE BOX

- 6 Deck Box Assemblies
- 4 Roles
- 3 Reinforced Metal Rods
- 2 Hydraulic Rods
- Screw Package
- User Manual

---

## WARRANTY POLICY

### GUARANTEED 3-YEAR WARRANTY

Thank you for choosing East Oak. This product is covered by our company warranty for up to 3 years from its original purchase date.

### CLAIM WARRANTY

If you'd like to claim your product's warranty, register your new product on our website at [www.eastoak.com/warranty](http://www.eastoak.com/warranty).

---

## WARNING

Cancer and Reproductive Harm  
[www.P65Warnings.ca.gov](http://www.P65Warnings.ca.gov).



# EAST OAK

✉ [support@eastoak.com](mailto:support@eastoak.com)

🌐 [eastoak.com](http://eastoak.com)

☎ 1-833-EAST-OAK (USA)