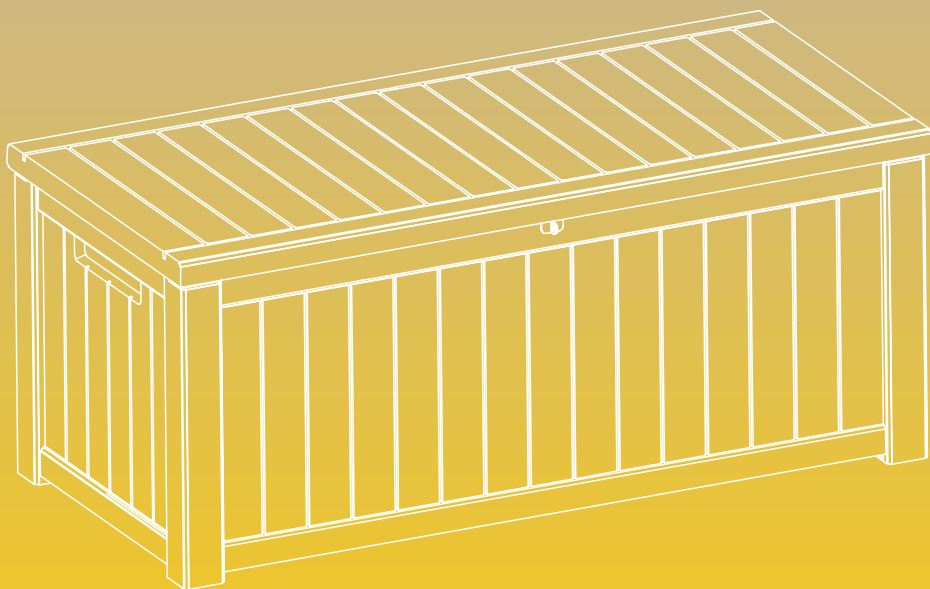
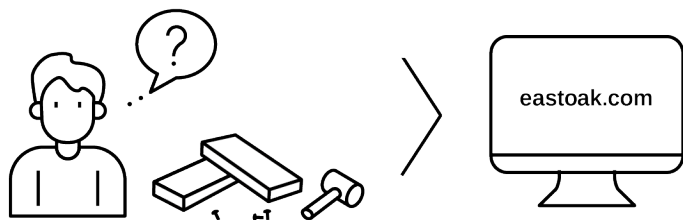


# 120 Gallon Deck Box Owner's Manual

**MODEL:**  
EO-DB22011



# EAST OAK



Questions? Comments?  
Reach out to us for expert support!

✉ [support@eastoak.com](mailto:support@eastoak.com)

🌐 [eastoak.com](http://eastoak.com)

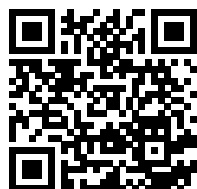
☎ 1-833-EAST-OAK (USA)

(1-833-327-8625) Mon-Fri 8am-8pm EST

Follow [eastoakliving](#) on



Claim your 3-year warranty  
at [eastoak.com/warranty](http://eastoak.com/warranty)



Please scan the QR code  
to view the installation video



## IMPORTANT CAUTION



Once installed, the product cannot be detached. Please strictly follow each step in the installation manual.

- Please check all parts and components to ensure that there are no damages or missing items before starting the construction of the product. If you have any problems or discover any missing parts, please contact customer service at [support@eastoak.com](mailto:support@eastoak.com)
- Some parts may contain sharp edges. Wear protective gloves if necessary during assembly.
- When using power tools, please adjust the gear to the minimum, otherwise it will cause damage to the parts.

## ASSEMBLY INSTRUCTIONS

- DO NOT assemble this item alone for your safety. Two people are necessary for smooth and safe installation.
- We recommend **using a rubber hammer** and an electric screwdriver for better installation.
- Item identification: For ease of identification, all parts are labeled to correspond to the step number in which the part is used.
- Force is required for installation.
- **The letter marks on the A/B/C/J panels should face inward when installing.**

## CARE & SAFETY

- **Avoid placing products in areas with standing water, such as potholes on lawns.**
- Check all screws for tightness before usage.
- It is of utmost importance to assemble all parts according to the directions. Do not skip any step.
- In case of fire, do not attempt to extinguish any burning polypropylene with water.
- Wear safety goggles and always follow the manufacturer's instructions when using power tools.
- Using a stiff brush or abrasive cleaner could damage the box.
- Hot items such as recently used grills, blowtorches, etc., must not be stored in the box.
- After rain, wipe the box with a cloth before opening it.
- Unsuitable for the storage of flammable or corrosive substances.
- Do not stand on the lid.
- To prevent the risk of suffocation, do not allow children to play inside the box.

## PARTS LIST



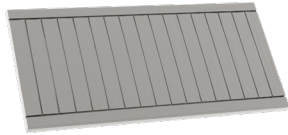
Front Panel\*with east oak logo

**A** (X1)



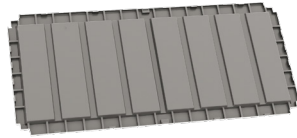
Back Panel

**A** (X1)



Lid Panel

**J** (X1)



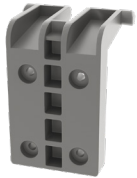
Bottom Panel

**B** (X1)



Side Panel

**C** (X2)



Plastic Hinge

**E** (X3)



lock bracket-1

**G** (X1)



lock bracket-2

**I** (X1)



Hydraulic Rod

**H** (X2)



Steel Tube

**D** (X3)



Screw

**L** (X39) +  
Spare (X2)



Plastic Strip

**T** (X7) +  
Spare (X1)



Gloves

**V** (X1)

**1**

Insert the steel tube D into panel J, and secure steel tube D with 4 Plastic Strips T and 8 screws L.

The letter marks on the A/A+Logo/B/C/I panels should face inward when installing.

Recommend wearing protective gloves during assembly.



**D** (X1)

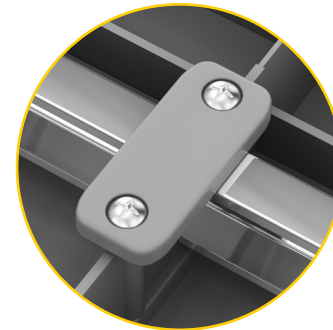
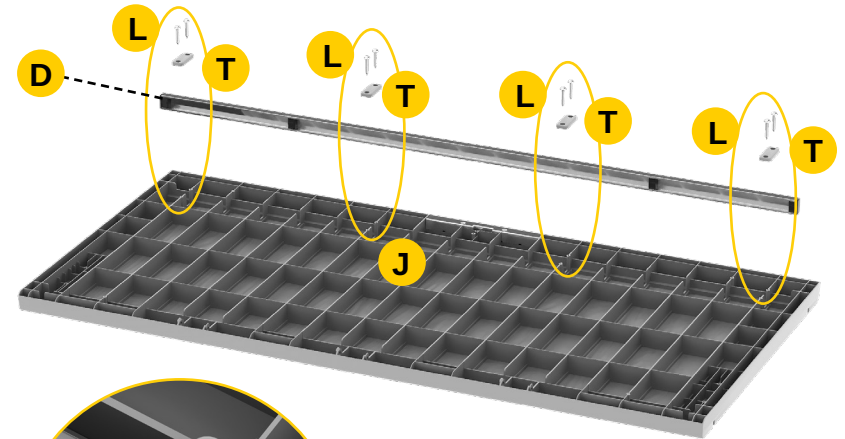
**L** (X8)



**T** (X4)



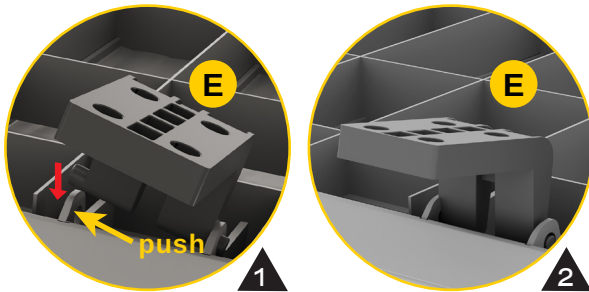
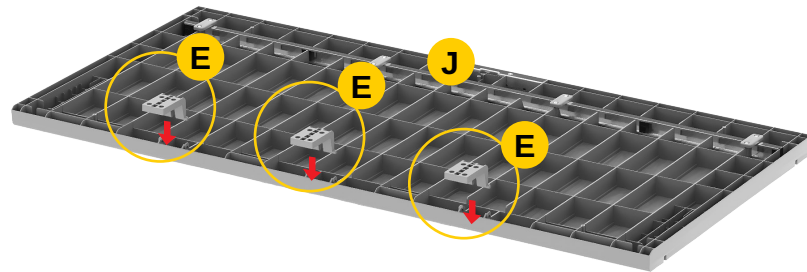
**J** (X1)



# 2

Insert 3 plastic hinges E into panel J.

Note: For easier installation, plastic hinges E should tilt to the one side, then to the other.

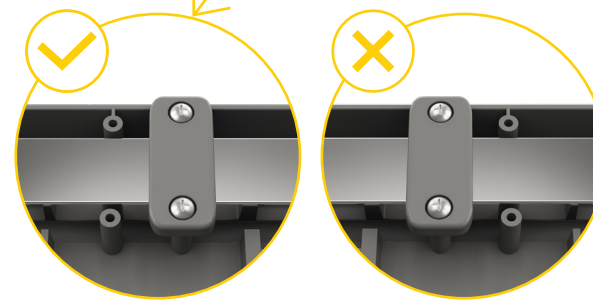
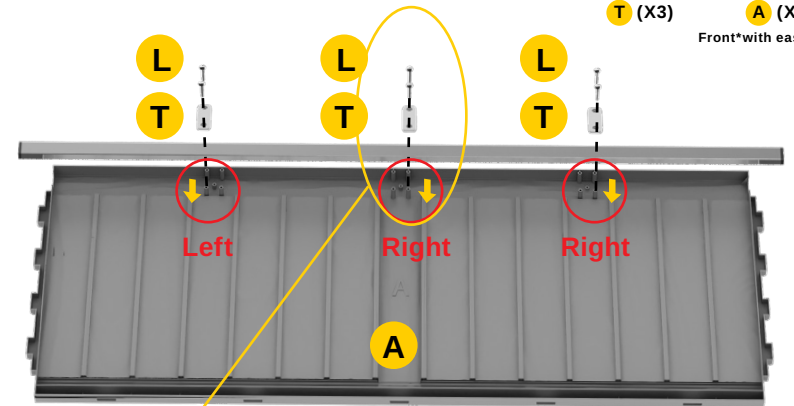
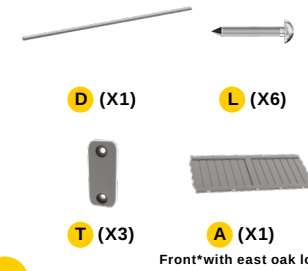


For easier installation, plastic hinges E should tilt to the one side, then to the other.

# 3

Secure stainless steel tube D to front panel A with 3 plastic strips T and 6 screws L.

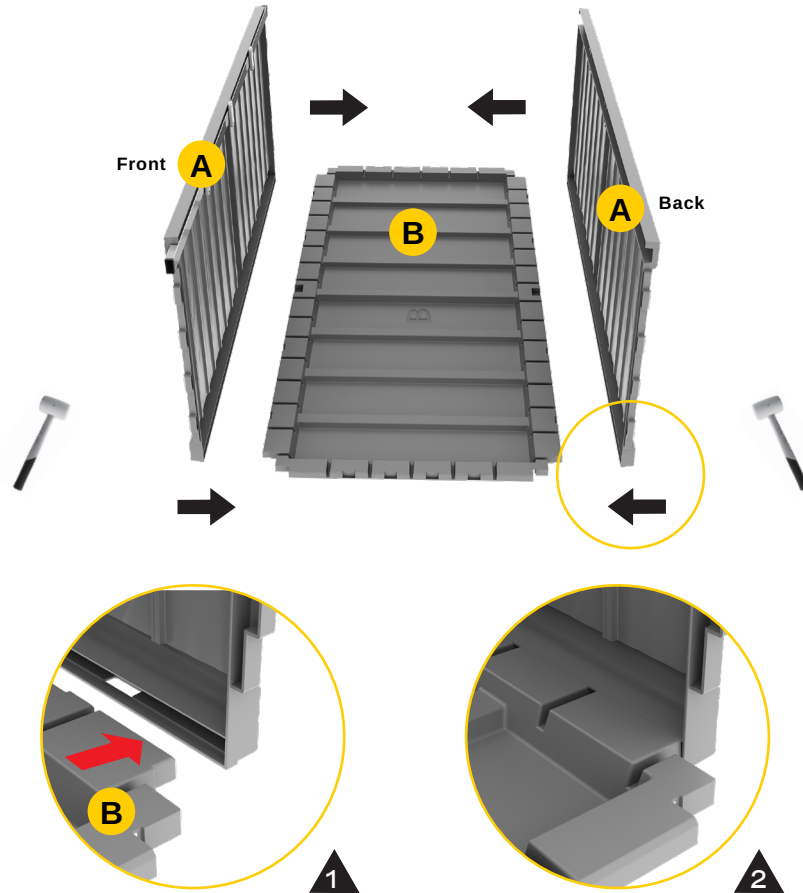
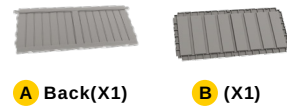
Note: Make sure 3 plastic strips T are mounted correctly.



# 4

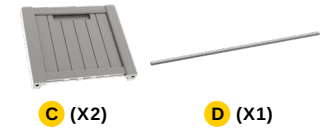
Assemble two A panels to B panel.

Note: Please using rubber mallet for convenient installation. Note the direction of B panel when assembling.

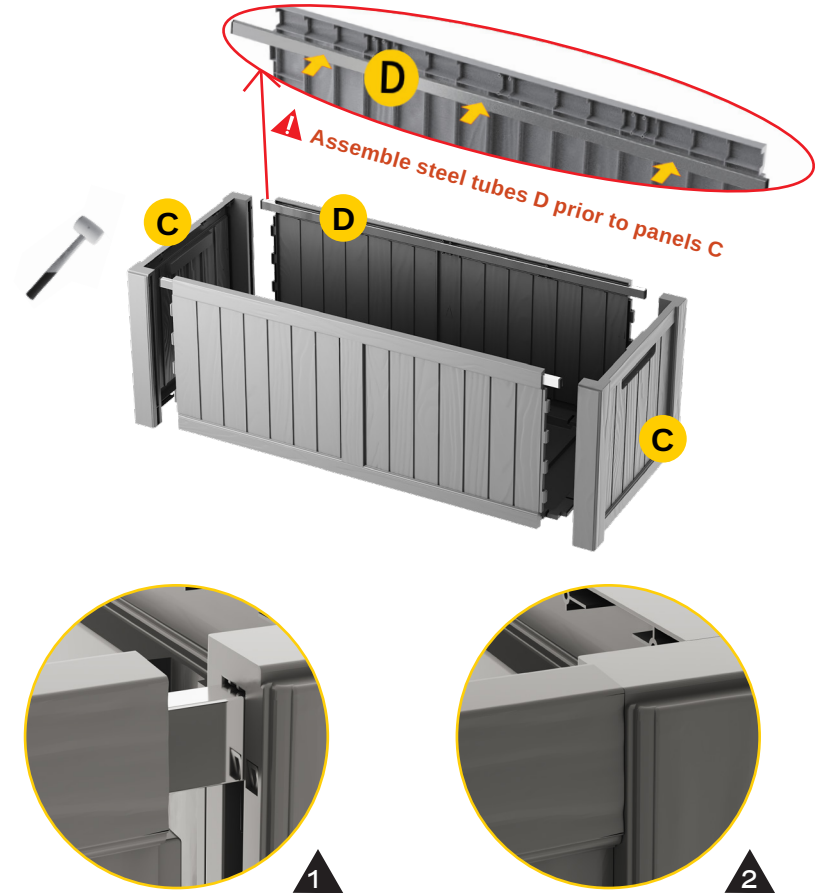


# 5

Insert stainless steel tube D to panel A. Ensure the steel tubes D is aligned with panels C. Assemble two C panels to B and A panels.

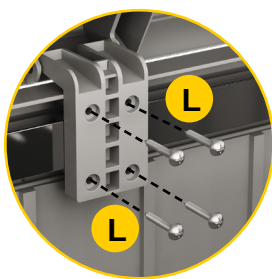
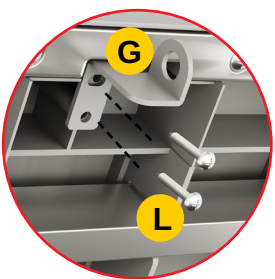
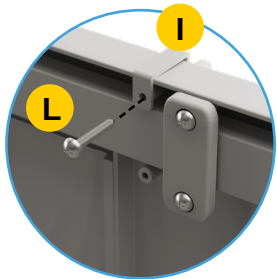
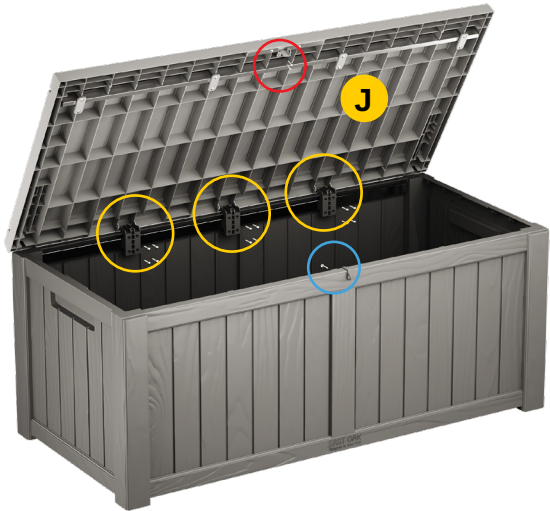
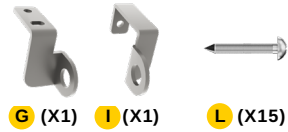


Note: Use a rubber mallet for convenient installation. Lightly hammer the panels together.



# 6

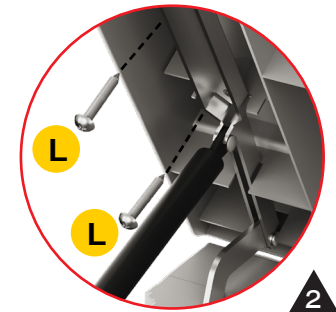
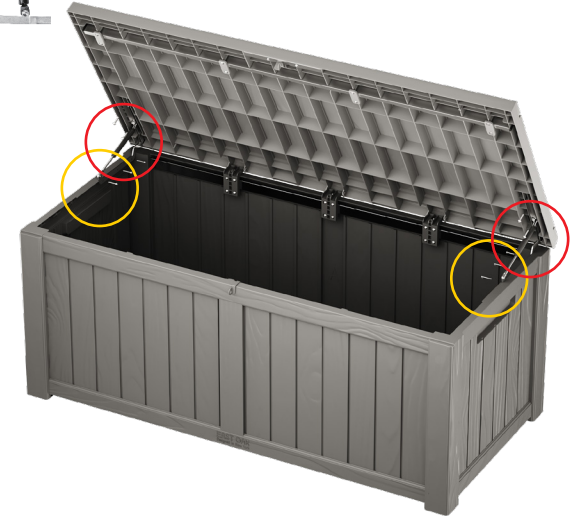
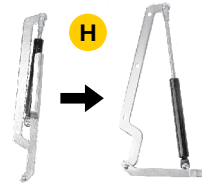
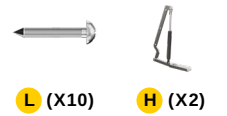
Assemble the panel J. Line up the plastic hinges E and secure with 12 screws L. Fasten the lock bracket-1 G with 2 screws L. Fasten the lock bracket-2 I with 1 screw L.



# 7

Secure the hydraulic rods H into the place on both sides.

Open the hydraulic rod before assembling.



Assemble the rod to the body then to the lid



---

**8**

Finish by closing the lip panel.



---

## TECHNICAL SPECS

- Construction Materials: Resin
- Maximum Capacity: 120 Gallon
- Weight Capacity: 880 lbs.
- Assembly Time: 20-25 minutes
- Product Size: 56.3L×26.57W×23.81H INCH

---

## FEATURES

- Weatherproof and Waterproof Outdoor Furniture
- UV and Fade Resistance
- Durable and Long-lasting Use
- Easy to Assemble
- Marine-grade Quality Hardware
- Comfortable Side Handles
- Upgraded PP Material to Prevent Bending and Fading
- **Iron Rods added for Extra Support and Strength**
- Use for Indoors and Outdoors, Pillows, Pool Toys, Garden Tools, Furniture and Sports Equipment
- Great Option for Home Storage and Organization

---

## WHAT'S IN THE BOX

- 6 Deck Box Assemblies
- Steel Tubes
- Hydraulic Rods
- Screw Package
- User Manual

---

## WARRANTY POLICY

### GUARANTEED 3-YEAR WARRANTY

Thank you for choosing East Oak. This product is covered by our company warranty for up to 3 years from its original purchase date.

### CLAIM WARRANTY

If you'd like to claim your product's warranty, register your new product on our website at [www.eastoak.com/warranty](http://www.eastoak.com/warranty).

---

## **⚠️ WARNING**

Cancer and Reproductive Harm

[www.P65Warnings.ca.gov](http://www.P65Warnings.ca.gov).

# EAST OAK

✉ [support@eastoak.com](mailto:support@eastoak.com)

🌐 [eastoak.com](http://eastoak.com)

☎ 1-833-EAST-OAK (USA)