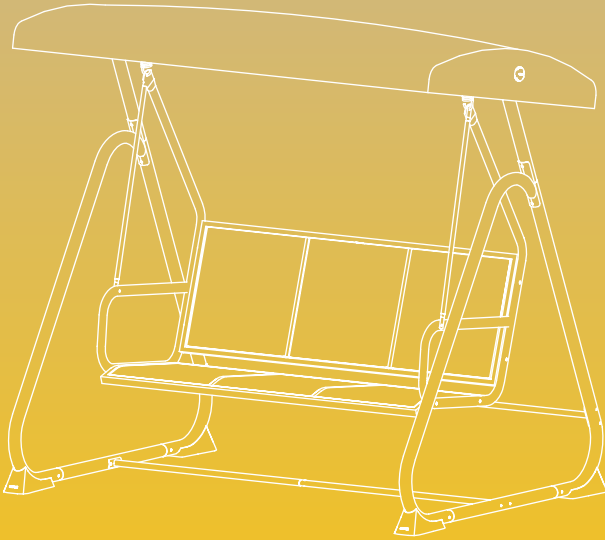
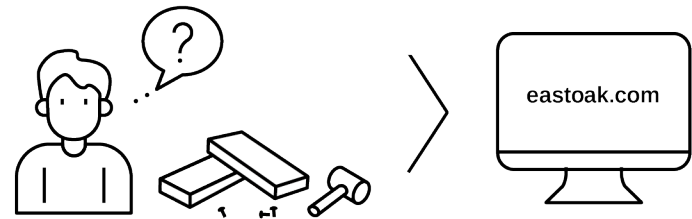


3-Person Outdoor Patio Porch Swing Owner's Manual

MODEL:
PPS23002
PPS23004



EAST OAK



**Questions? Comments?
Reach out to us for expert support!**

✉ support@eastoak.com

🌐 eastoak.com

☎ 1-833-EAST-OAK (USA)

(1-833-327-8625) Mon-Fri 8am-8pm EST

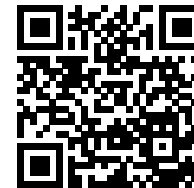
Follow [eastoakliving](#) on



Claim your 3-year warranty

at eastoak.com/warranty

**Please scan the QR code
to view the installation video**



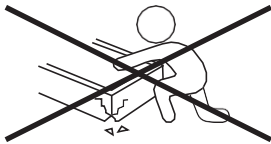
IMPORTANT CAUTION

Before beginning assembly of product, make sure all parts are present. Compare parts with package contents list and hardware contents. If any part is missing or damaged, do not attempt to assemble the product. If any part is missing or damaged, please contact customer service at support@eastoak.com.

- To obtain the longest lifespan of the swing, minimizing exposure to direct sunlight is recommended.
- When using the swing in summer heat, be careful of the high temperature of the iron on the surface of the swing.
- Do not use harsh cleaners and disinfectants to clean textilene.
- Please clean the swing occasionally after use or being exposed to rain.
- Some parts may contain sharp edges. Wear protective gloves if necessary during assembly.
- When using power tools, please adjust the gear to the minimum. Otherwise, it will cause damage to the parts.
- Do not shake the swing violently, use it properly.
- Children must be supervised by adults to ensure the safety when using.
- Please remove the roof on strong wind days to avoid blowing over.

SAFETY GUIDE

- For your safety and to reduce the risk of severe personal injury, the user must read and understand this Safety Guide.
- Assemble each piece only following the instructions. Using tools or hardware not included in the original packaging, or improperly assembly may cause the product to malfunction or has a risk of severe personal injury.
- Assemble on a flat and soft surface, such as carpeting, to avoid scratches or damage.



NOTICE

- Tighten all bolts and screws again within the first two weeks of assembly.
- Check the tightness of all bolts every two months, tighten them if necessary.

CARE & CLEANING

- To obtain the longest lifespan of the swing, clean the frame and Textilene fabric with a damp towel, and then dry the swing thoroughly. This will remove dirt particles and prevent mildew.
- Do not clean the swing with abrasive materials, bleach, or solvents.
- Store the swing in a dry, sheltered place when not in use.
- Keep the swing away from the fire, extreme heat, freezing conditions, and inclement weather such as rain, hail, snow, or wind.
- PLEASE NOTE that the metal paint may come off due to weather conditions.
- It is recommended to wipe the seat with a damp cloth after use or rain to prevent stains and waterlogging.
- Attention: Children must be supervised by adults when playing.



READ & SAVE BELOW INSTRUCTIONS BEFORE ASSEMBLY

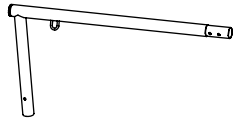
1. Please separate and identify all parts, making sure that you have all of the parts listed.
2. Assemble on a soft surface, such as carpeting, to avoid scratching the finish.
3. Please assemble step by step and follow the instructions.
4. Washers must be used.
5. Do not completely fasten each screw and nut until all the screws are properly fixed.

ASSEMBLY SUGGESTIONS

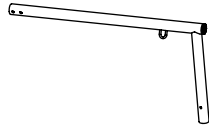
- Two adults required for a safe assembly



PARTS LIST



Crossbars
A1 X 1 PC



Crossbars
A2 X 1 PC



Anterior Leg Canal
B X 2 PCS



Rear Leg Tube
C X 2 PCS



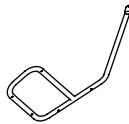
Connecting Tube
D X 2 PCS



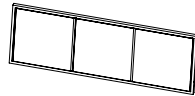
Reinforced Pole
E1 X 2 PCS



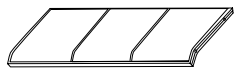
Reinforced Pole
E2 X 2 PCS



Seat Frame
F X 2 PCS



Backrest
G X 1 PC



Seat
H X 1 PC



Support Feet
I X 4 PCS



Fixation Pipe
J X 2 PCS



Canopy
K X 1 PC



Ceiling Support Rod
L X 1 PC



Ceiling Support Rod
M X 1 PC

PARTS LIST



Knob
O X 2 PCS



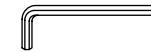
Spring Steel
P X 2 PCS



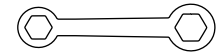
Plastic Washer
Q X 8 PCS + Spare X 1



M6*20 Screw
S X 12 PCS + Spare X 1



Hex Wrench
AA X 1 PC



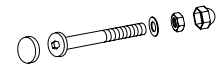
Spanner
BB X 1 PC



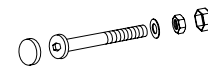
M6*32 Screw
T X 2 PCS



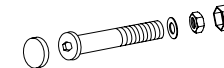
M6*35 Screw
U X 2 PCS



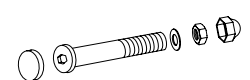
M6*58 Screw
V X 4 PCS



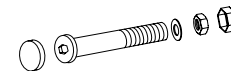
M6*62 Screw
W X 8 PCS + Spare X 1



M8*60 Screw
X X 2 PCS



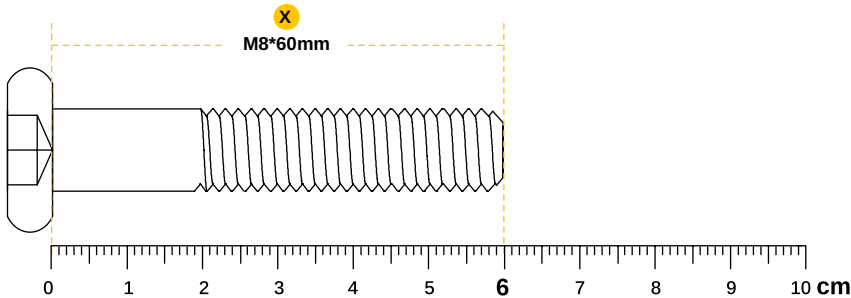
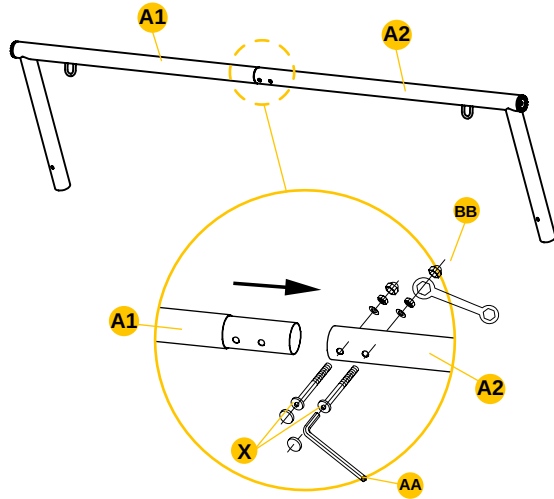
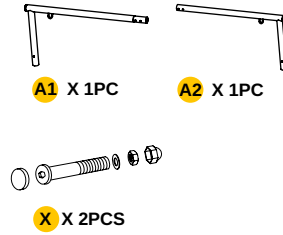
M8*64 Screw
Y X 4 PCS



M8*75 Screw
Z X 8 PCS + Spare X 1

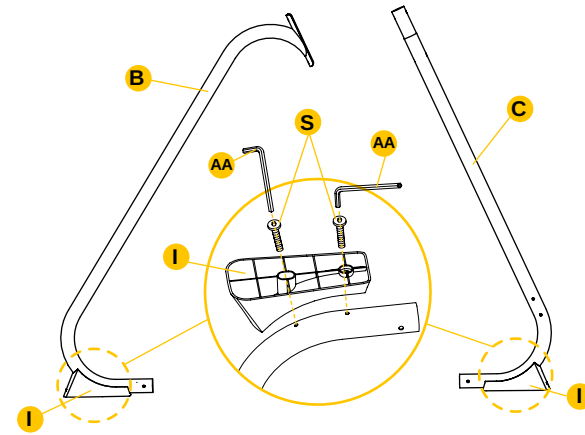
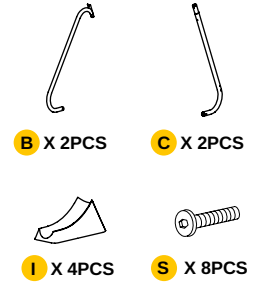
1 Connect the crossbars

Connect the crossbars A1 and A2, align their screw holes, install screws with a spanner, pre-install the two screws before tightening them fully, and then put on the plastic cap.

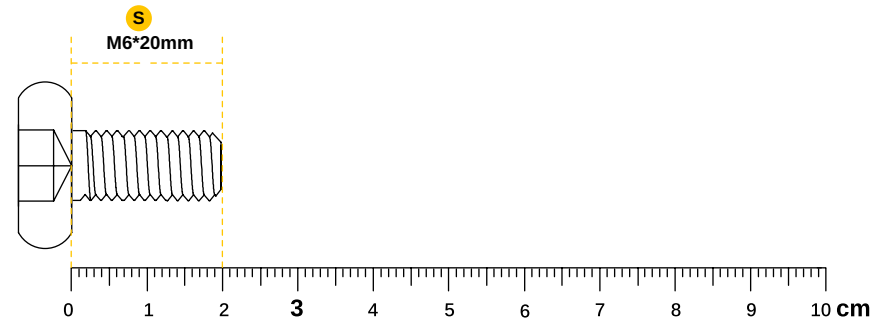


2 Install the support feet

Align the screw holes, install screws with a spanner, pre-install the two screws on each foot before tightening them fully, and then put on the plastic cap. Install the four support feet in the same way.

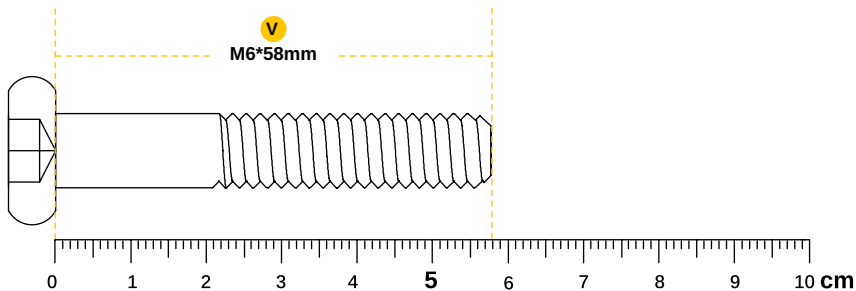
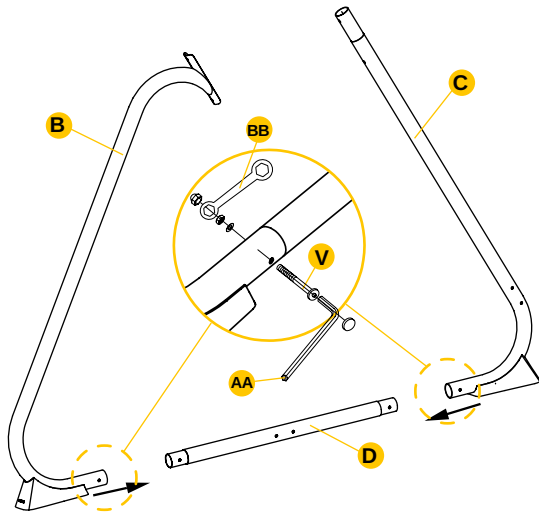
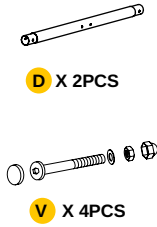


TIPS: Since the support feet are deep and the screws are short, use a hex wrench (AA) to secure the screw heads before tightening the screws.



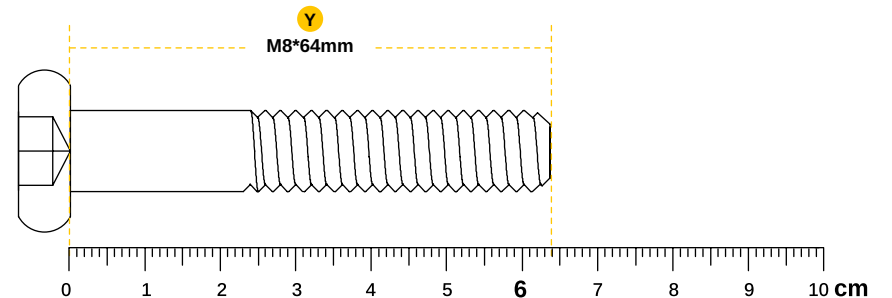
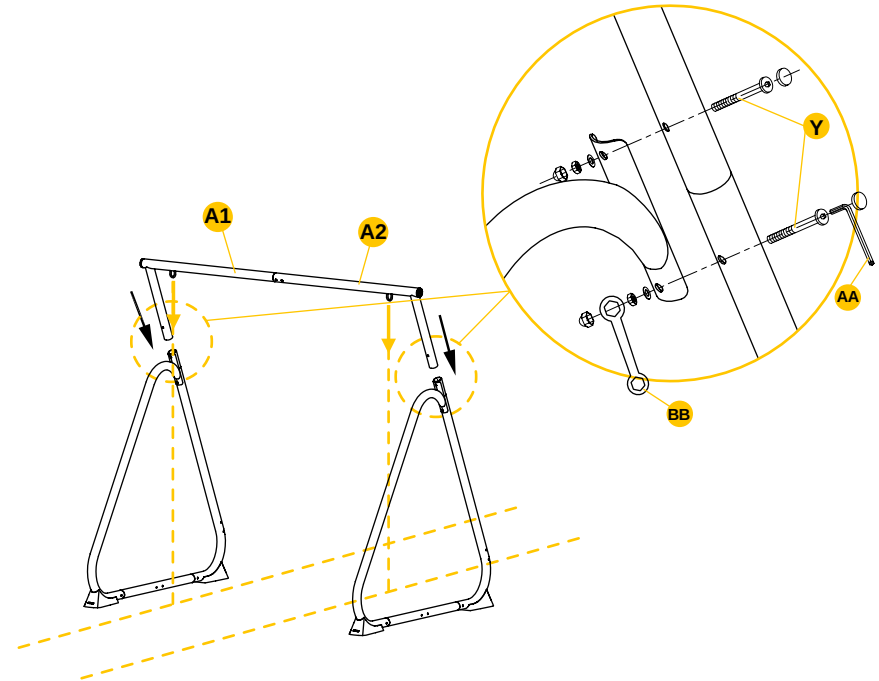
3 Install the outer frames

Connect the pipes B and D, align their screw holes, and install screws with a spanner, and then connect the pipes C and D in the same way. Pre-install the two screws before tightening them fully, and then put on the plastic cap. Install the other outer frame in the same way.



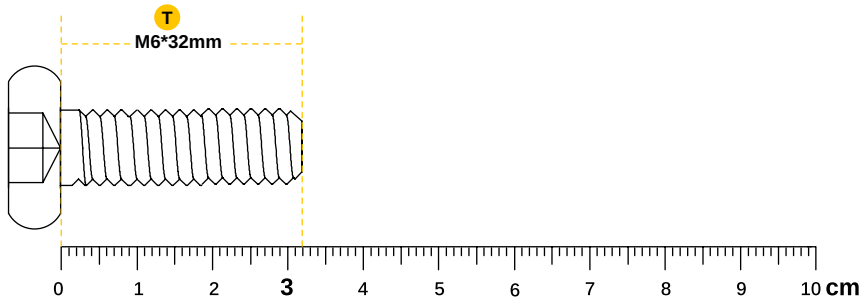
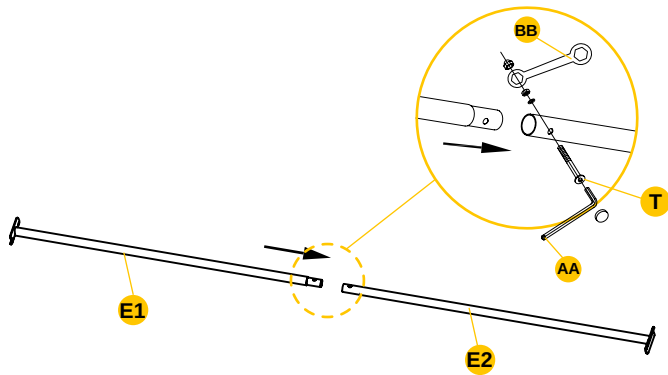
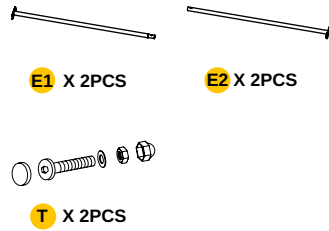
4 Install the crossbars

Connect the previously connected crossbars A1 and A2 with the two installed outer frames, align their screw holes, install screws with a spanner, pre-install the screws on two sides before tightening them fully, and then put on the plastic caps.



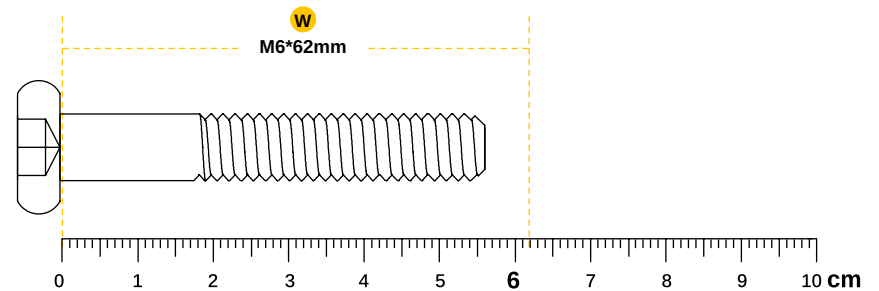
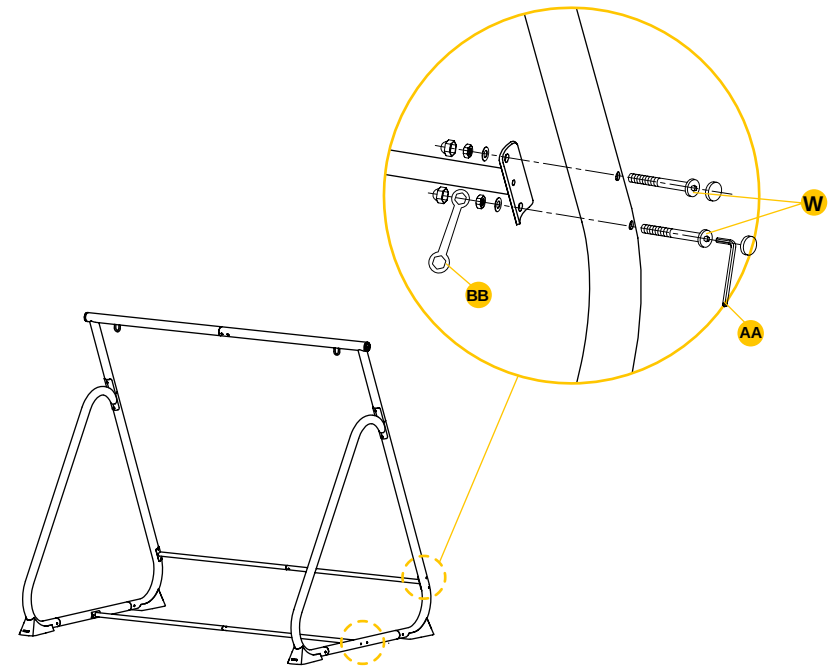
5 Connect the connecting rods

Connect the rods E1 and E2, align their screw holes, install screws fully with a spanner and then put on the plastic cap. Connect the other connecting rod in the same way.



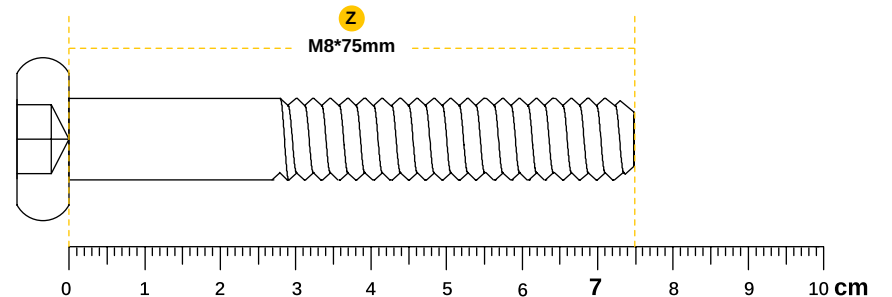
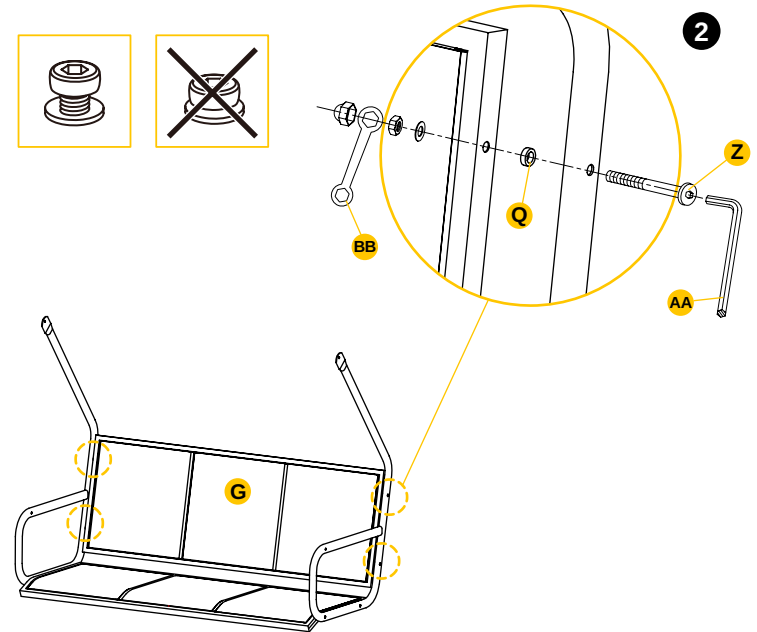
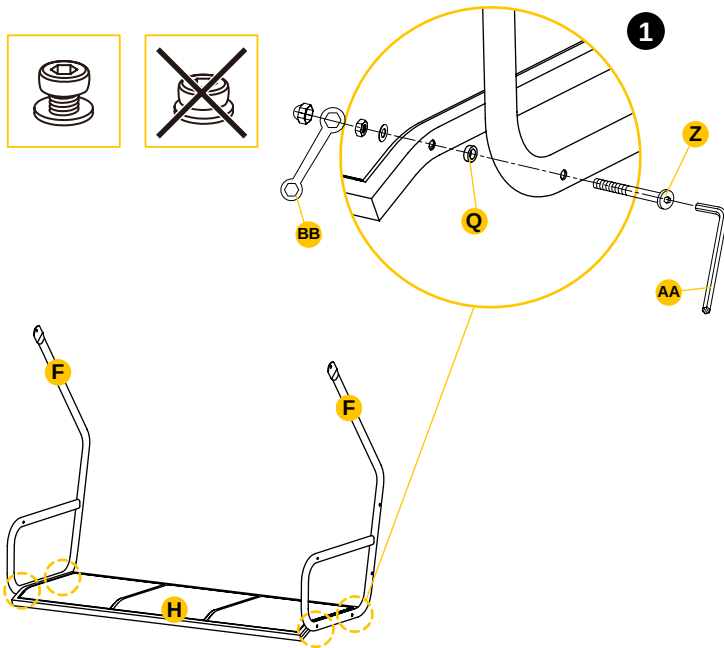
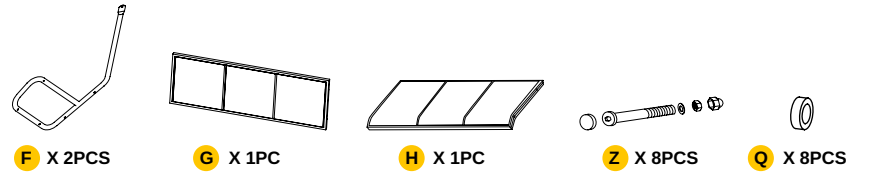
6 Install the connecting rods

Connect the assembled rods E1 and E2 with the installed outer frames, align their screw holes, install screws with a spanner, pre-install the four screws on the two iron frames before tightening them fully, and then put on the plastic caps.



7 Install the seat

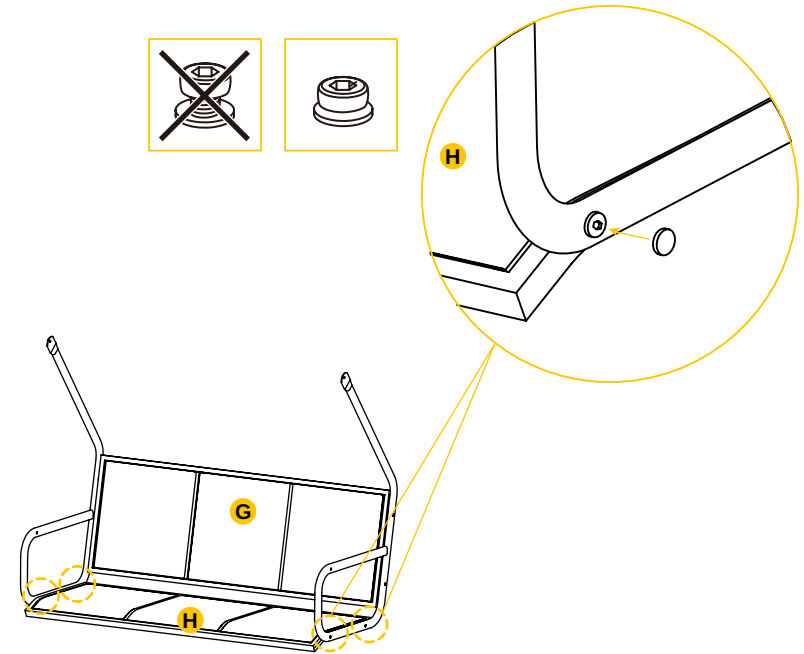
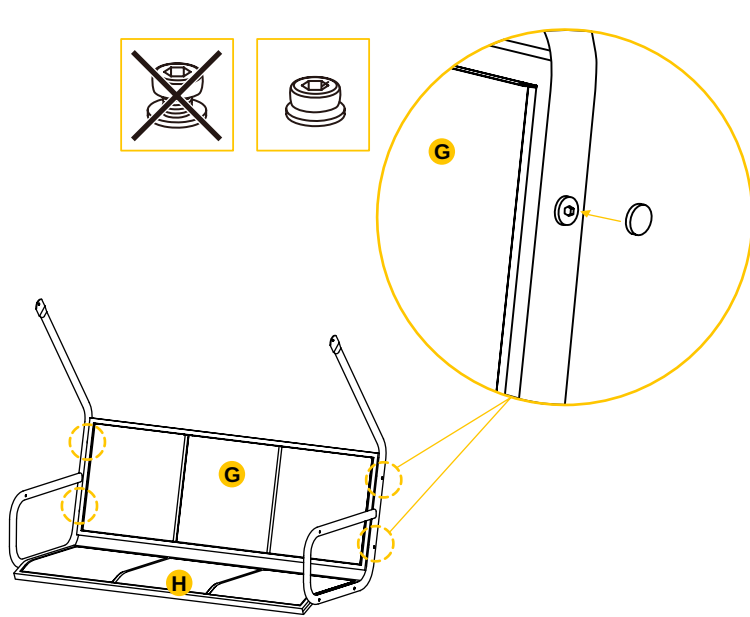
Connect the handrail F, backrest G with seat cushion H (plastic washer Q shall be used between them), align their screw holes, install screws with a spanner, pre-install the screws on two sides before tightening them fully.



TIPS: The one with the curvature is the seat cushion, and the other one with the crossbar behind it is the backrest.

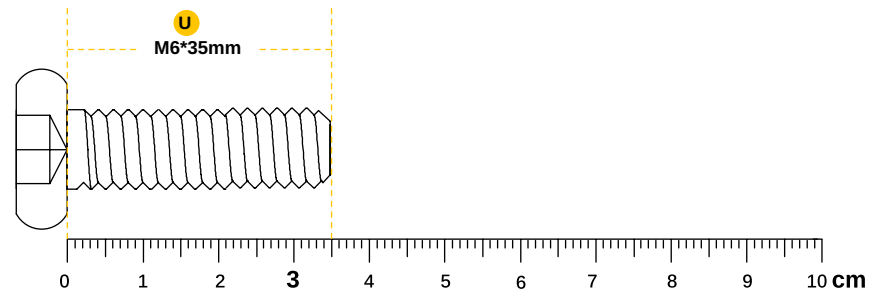
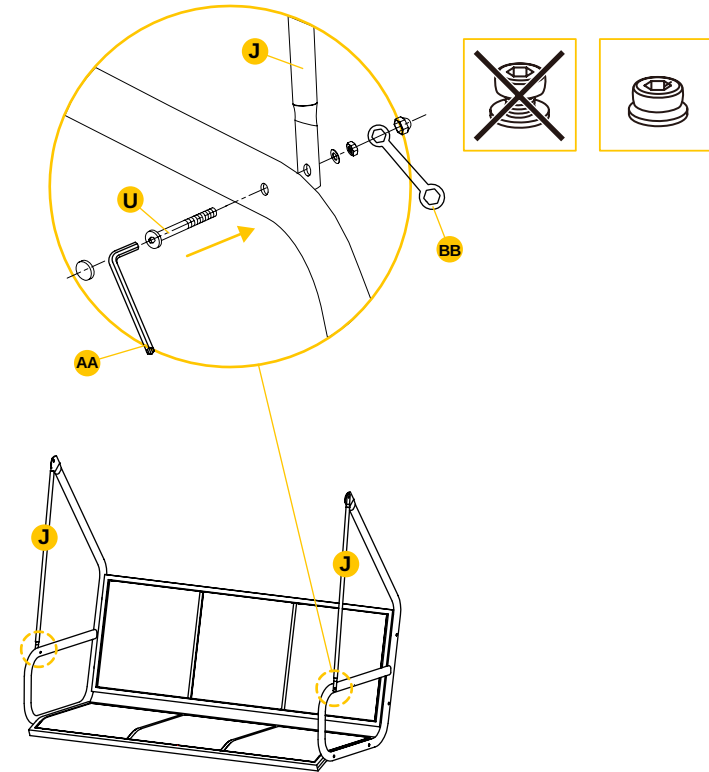
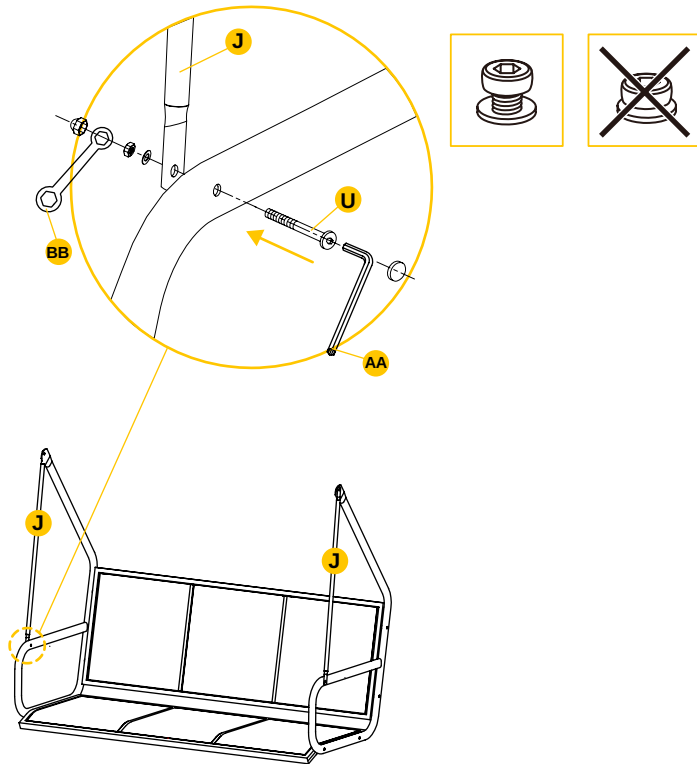
8 Tighten the screws

Install the screws with a wrench, fully tighten the pre installed screws on both sides, and then wear a plastic cap.



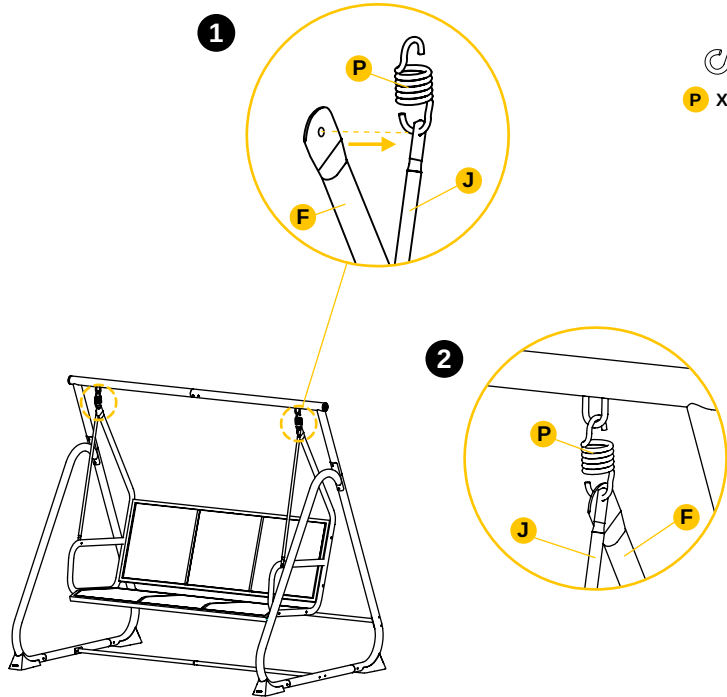
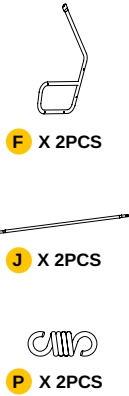
9 Install the seat fixation pipes

Connect the fixation pipe J with the handrails, align their screw holes, install screws fully with a spanner and then put on the plastic cap. Connect the other fixation pipe in the same way.



10 Connect the main frame of the swing with the seat

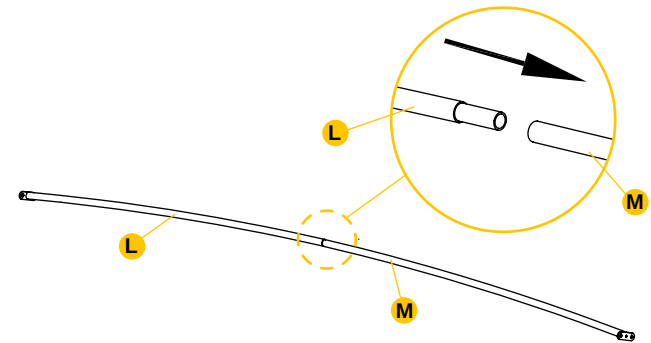
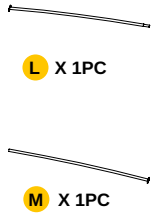
Connect the installed seat with the main frame of the swing by spring steel P.



TIPS: When the spring steel P is connected to the seat frame and the seat fixing pipe, the spring steel P can be connected to the hole of the seat fixing pipe first, and then connected to the hole of the seat frame. Do not connect two holes at once.

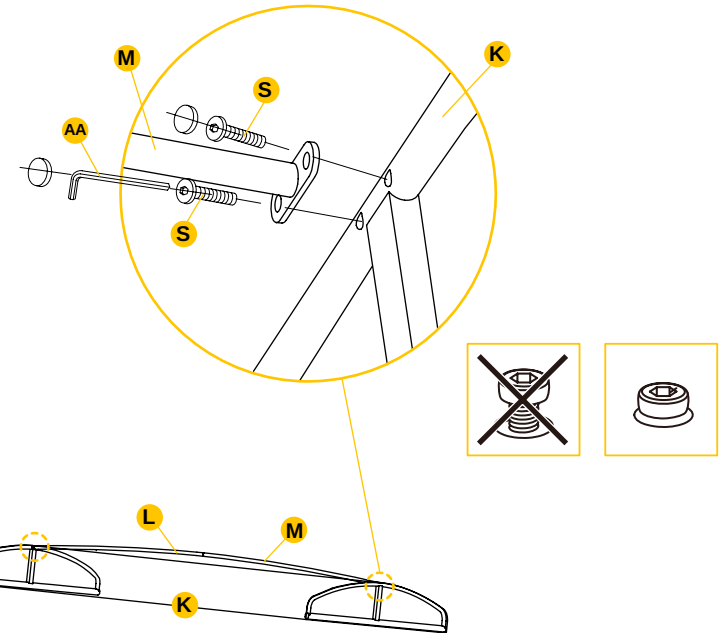
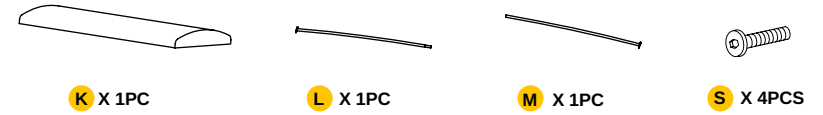
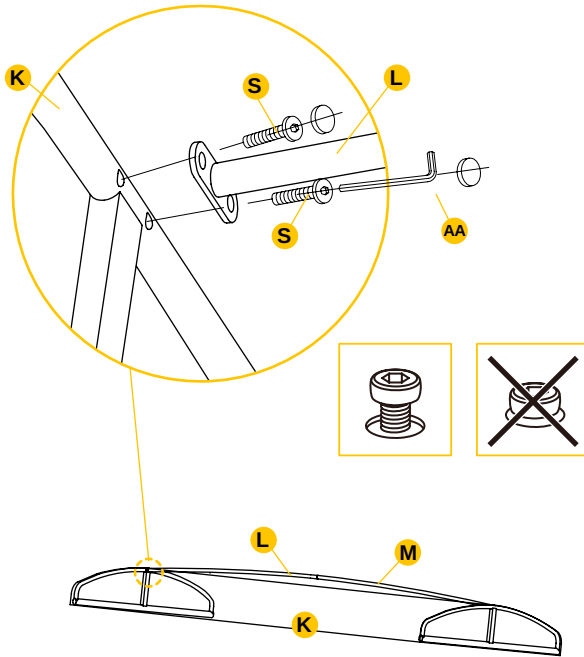
11 Connect the support rod of the canopy

Align the gears of the canopy and the swing, turn the knob O clockwise to screw and anticlockwise to unscrew, to adjust the canopy's angle.

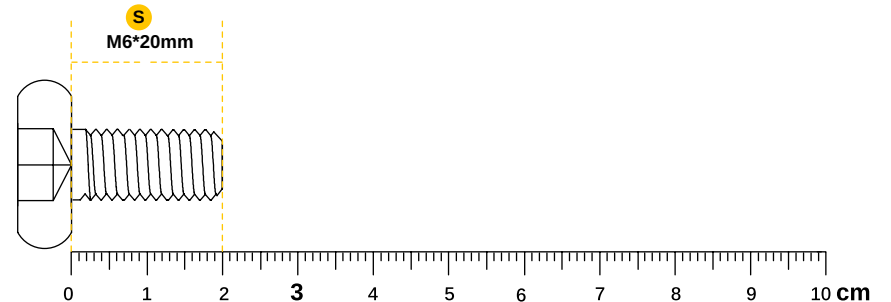


12 Install the support rod of the canopy

Align the screw holes of the assembled support rod with the screw holes inside the canopy, install screws with a spanner, pre-install the four screws on two sides before tightening them fully, and then put on the plastic caps.

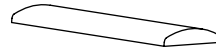


TIPS: In order to make the installation more convenient, you can first install one side to align the screws, and then install the other side.



13 Install the canopy

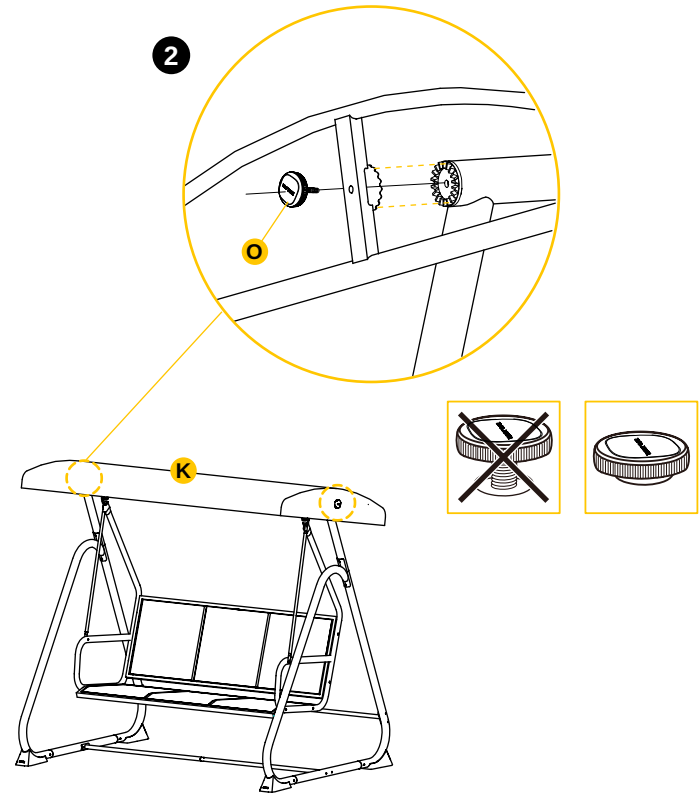
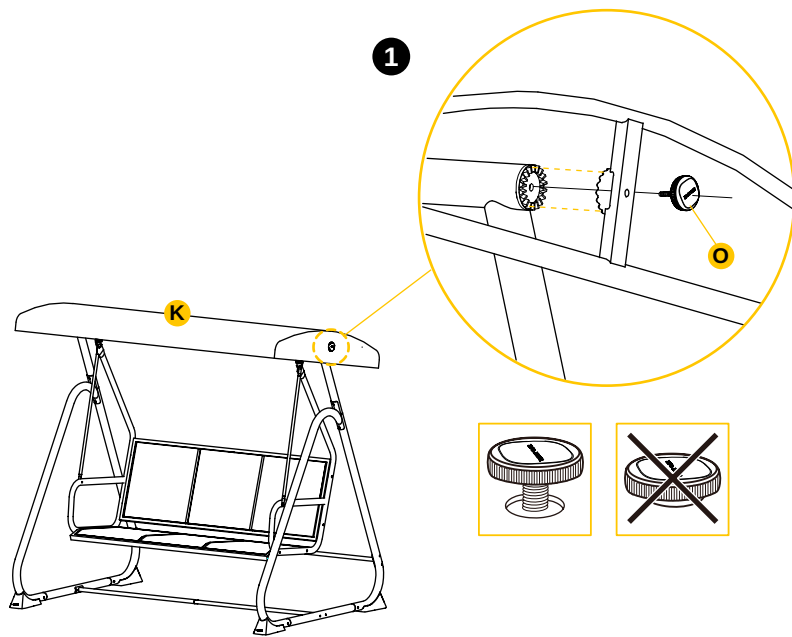
Align the gears of the canopy and the swing, turn the knob O clockwise to screw and anticlockwise to unscrew, to adjust the canopy's angle.



K (1PC)



O (2PCS)



FEATURES

- More solid, stronger texture
- Large size, ergonomic and comfortable
- Steel frame and iron frame processed by electrophoresis process, with strong anti-rust ability
- Double-layer Textilene quick-drying cotton offers excellent weather resistance, and is easy to dry and clean
- Easy to assemble

WHAT'S IN THE BOX

- 2 x Crossbars
- 4 x Leg Tube
- 2 x Connecting Tube
- 4 x reinforced pole
- 1 x Backrest
- 1 x Seat
- 2 x Seat Frame
- 2 x Ceiling support rod
- 4 x Support Feet
- 2 x Fixation Pipe
- 1 x Canopy
- 1 x Accessory Kit
- 1 x Owner's Manual

WARRANTY POLICY

GUARANTEED 3-YEAR WARRANTY

Thank you for choosing East Oak. This product is covered by our company warranty for up to 3 years from its original purchase date.

CLAIM WARRANTY

If you'd like to claim your product's warranty, register your new product on our website at www.eastoak.com/warranty.

EAST OAK

✉ support@eastoak.com

🌐 eastoak.com

☎ 1-833-EAST-OAK (USA)